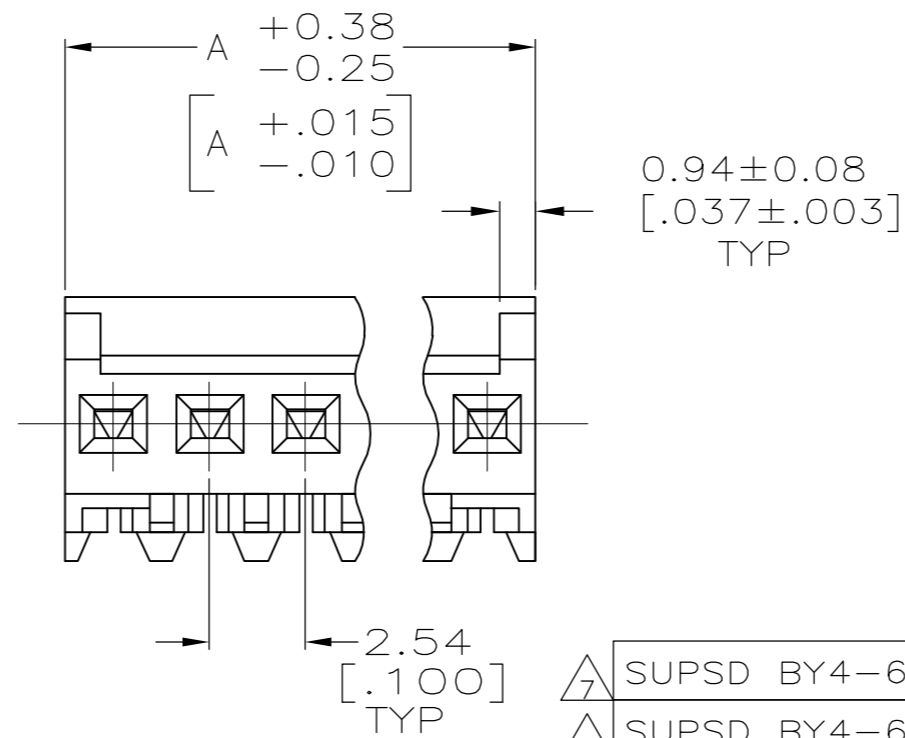
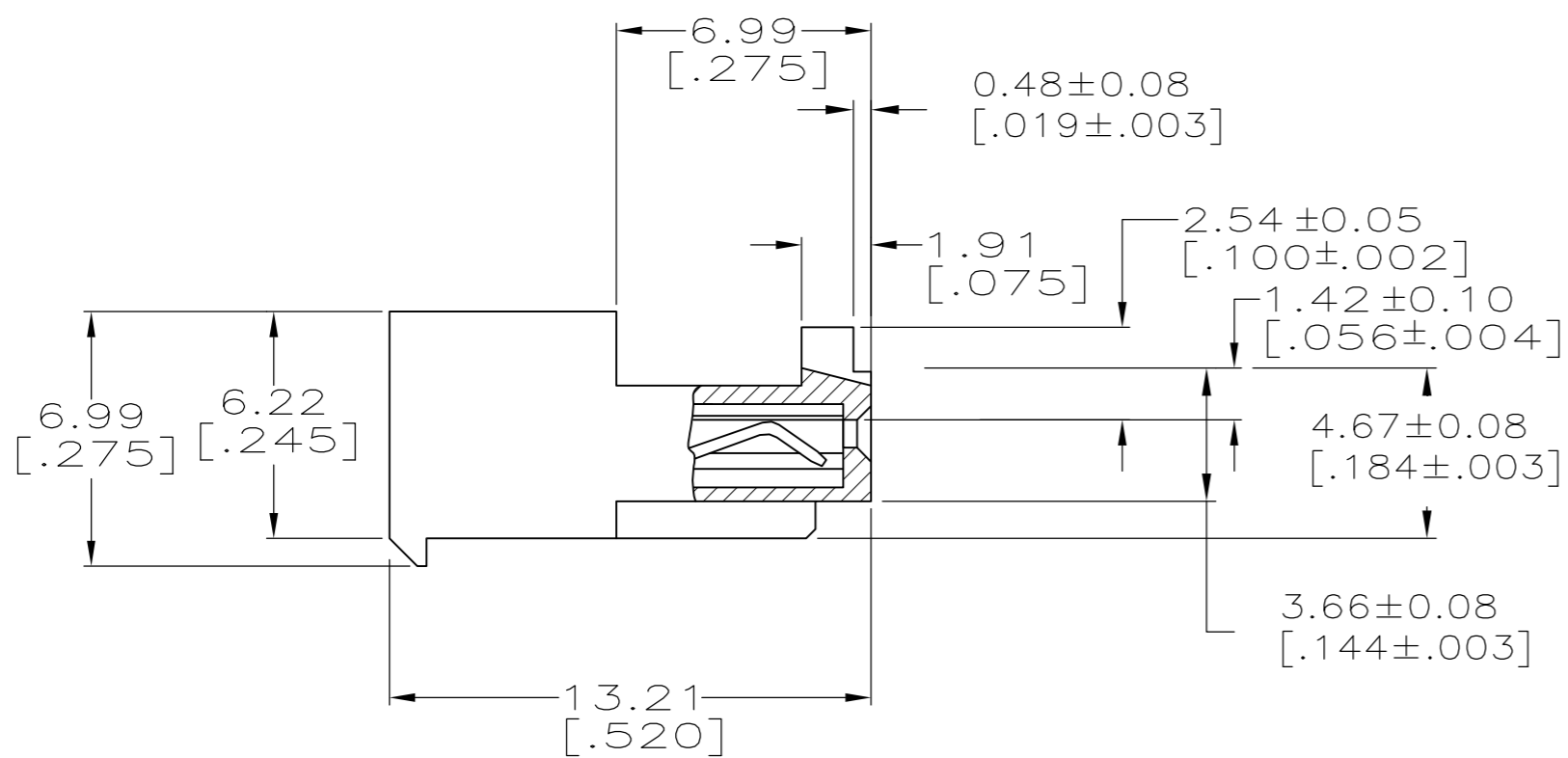
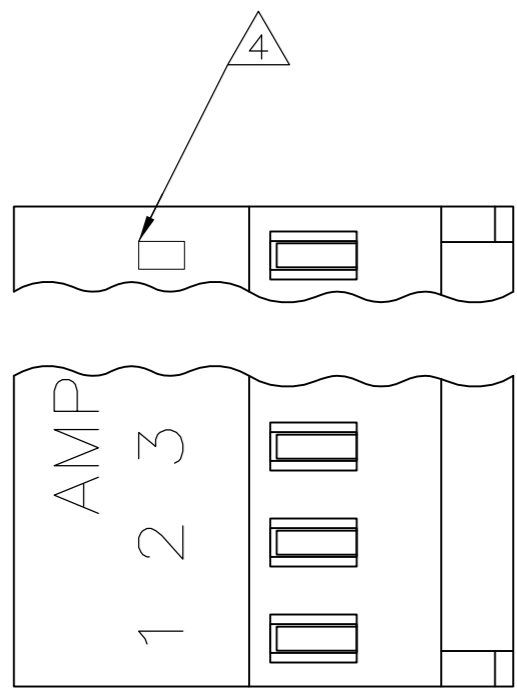


THIS DRAWING IS UNPUBLISHED. RELEASED FOR PUBLICATION
 © COPYRIGHT - By - ALL RIGHTS RESERVED.

LOC		DIST		REVISIONS			
P	LTR	DESCRIPTION	DATE	DWN	APVD		
	H2	REVISED PER ECO-11-004820	11MAR11	RK	HMR		



LEAD	LEAD		NO. OF POSN	ASSEMBLY
	DIM A	NO. OF POSN		
15	38.10 [1.500]	15	4-644083-5	
14	35.56 [1.400]	14	4-644083-4	
13	33.02 [1.300]	13	4-644083-3	
12	30.48 [1.200]	12	4-644083-2	
11	27.94 [1.100]	11	4-644083-1	
10	25.40 [1.000]	10	4-644083-0	
9	22.86 [.900]	9	3-644083-9	
8	20.32 [.800]	8	3-644083-8	
7	17.78 [.700]	7	3-644083-7	
6	15.24 [.600]	6	3-644083-6	
5	12.70 [.500]	5	3-644083-5	
4	10.16 [.400]	4	3-644083-4	
3	7.62 [.300]	3	3-644083-3	
2	5.08 [.200]	2	3-644083-2	

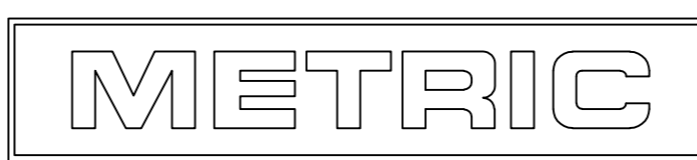
① MATERIAL: CONNECTOR-NYLON UL94V-0 (BLACK)
 CONTACTS-0.30 [.012] THICK COPPER ALLOY
 BRIGHT TIN-LEAD 0.00203 [.000080] MIN THICK FOR CONTACTS
 644083-2 THRU 1-644083-5
 MATTE WHISKER MITIGATED TIN PLATE 0.00203 [.000080] MIN THICK
 OVER 0.00076 [.000030] MIN THICK NICKEL FOR CONTACTS
 3-644083-2 THRU 4-644083-5

- 2. CONTACTS ACCEPT 22 AWG WIRE WITH 1.52 [.060] MAX INSULATION DIAMETER.
- 3. CONTACTS MUST ACCEPT 0.64±0.03 [.025±.001] SQUARE POST AND REMAIN LOCKED IN POSITION.
- ④ IDENTIFICATION NUMBER FOR LAST CIRCUIT MAY NOT APPEAR ON ALL ASSEMBLIES.

- 5. DIMENSIONS IN BRACKETS ARE IN INCHES.
- 6. HOUSING FEATURES ARE: CLOSED END WITH LOCKING RAMP AND WITH POLARIZING TAB.

⑦ OBSOLETE PARTS: OBSOLETE CIS STREAMLINING PER D.RENAUD/D.SINISI

- ⑤ SUPSD BY4-644083-5
- ⑤ SUPSD BY4-644083-4
- ⑤ SUPSD BY4-644083-2
- ⑤ SUPSD BY3-644083-9
- ⑤ SUPSD BY3-644083-7



THIS DRAWING IS A CONTROLLED DOCUMENT.		DWN S. CARPENTER 12JUN2003	TE Connectivity				
DIMENSIONS: mm [INCHES]		CHK D. BOSSI 12JUN2003					
TOLERANCES UNLESS OTHERWISE SPECIFIED:		APVD D. BOSSI 12JUN2003	NAME MTA 100 CONNECTOR ASSEMBLY, 22 AWG, UL94V-0, SPECIAL				
0 PLC ± 1 PLC ± 2 PLC ± 3 PLC ± 0.13 [.005] 4 PLC ± ANGLES ±		PRODUCT SPEC 108-1050	SIZE A2	CAGE CODE 00779	DRAWING NO C-644083	RESTRICTED TO -	
MATERIAL ①		FINISH ①	CUSTOMER DRAWING		SCALE 5:1	SHEET 1 of 1	REV H2

Mouser Electronics

Authorized Distributor

Click to View Pricing, Inventory, Delivery & Lifecycle Information:

[TE Connectivity:](#)

[4-644083-3](#)