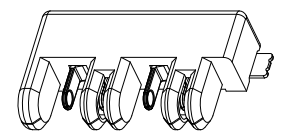
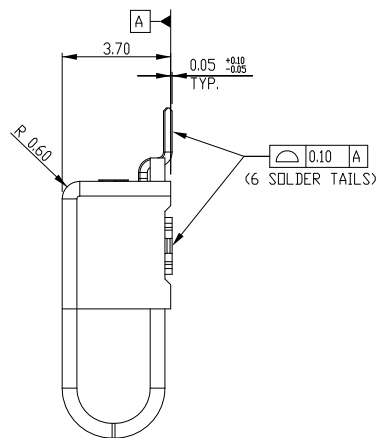
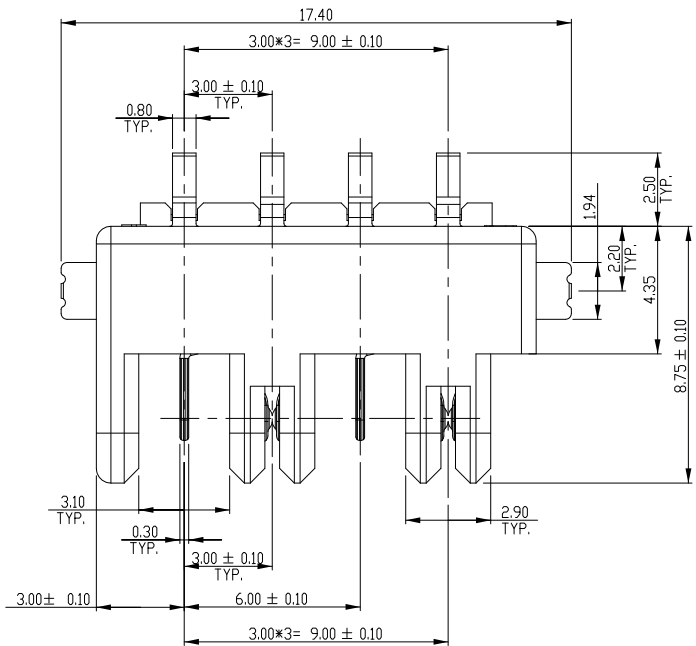
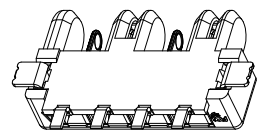


PART NUMBER  
10120045-400LF

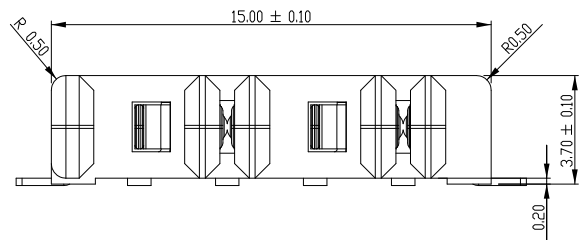


SCALE 2.000



SCALE 2.000

NOTES:  
 1. MATERIAL:  
 HOUSING: HIGH TEMPERATURE LCP, NATURAL  
 UL 94 V-0 FLAME RETARDANT.  
 CONTACTS: COPPER ALLOY.  
 PLATING SPEC AS BELOW:  
 FOR CONTACT AREA:  
 \* 0.76um GXT™ (30°GXT™);  
 FOR SOLDER AREA:  
 MATTE PURE TIN 3 um MIN.  
 FOR UNDERPLATING:  
 1.27 um MIN. THICKNESS NICKEL  
 2. PRODUCT SPEC. GS-12-1079.  
 3. LEAD FREE NOTES:  
 3a. THE HOUSING WILL WITHSTAND EXPOSURE TO 260°C PEAK  
 TEMPERATURE FOR 10 SECONDS IN A CONVECTION, INFRA-RED  
 OR VAPOR PHASE REFLOW OVEN.  
 3b. THIS PRODUCT MEETS EUROPEAN UNION DIRECTIVES AND  
 OTHER COUNTRY REGULATIONS AS DESCRIBED IN GS-22-008.  
 \* GXT™ is an FCI Electronics patented process of palladium-nickel alloy plated with a gold flash.



SCALE 4.000

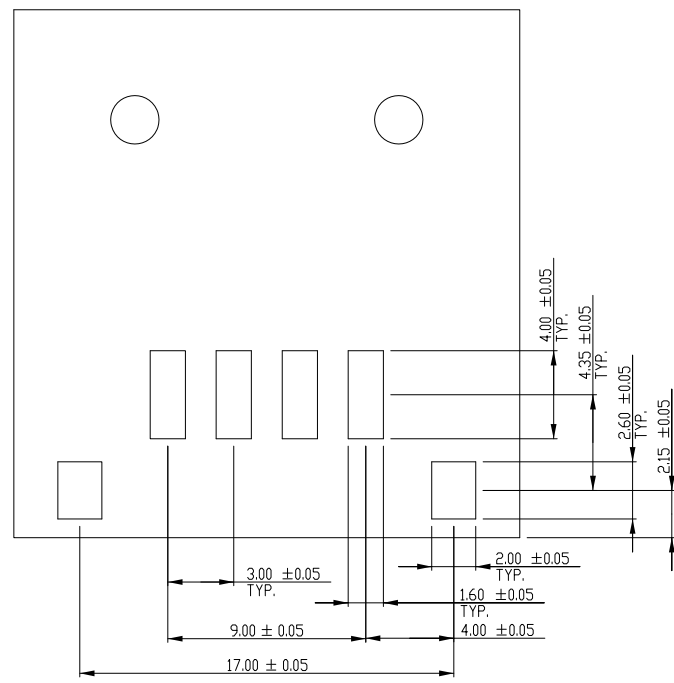


Copyright FCI.

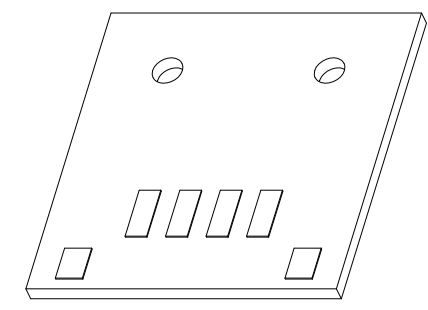
rev	ecn no	dr	date
A	-	MJA	2013-06-10
-	-	-	-
-	-	-	-
-	-	-	-
-	-	-	-
-	-	-	-

www.fciconnect.com			surface ISO 1302	tolerance std ISO 406 ISO 1101	projection MM	MM
			TOLERANCES UNLESS OTHERWISE SPECIFIED			
Dr	M JACOB	2013-06-10	ANGULAR	0.X ±X	size	Scale 4.000
Eng	M JACOB	2013-06-10	LINEAR	0.XX ±0.2	A4	
Chr	M JACOB	2013-06-10	0° ±2'	0.XXX ±X	ECN	-
Appr	BIJU K PAUL	2013-06-10	Product family-RotaConnect		Spec ref	-
FCI			title ASSEMBLY 4 POS HOR TYPE ROTATABLE BOARD TO BOARD CONNECTOR		dwg no 10120045-400C	Rev. A
			catalog no : 10120045-400LF		CUSTOMER DRAWING	sheet 1 of 3

PART NUMBER  
10120045-400LF



SCALE 3.000



SCALE 2.000

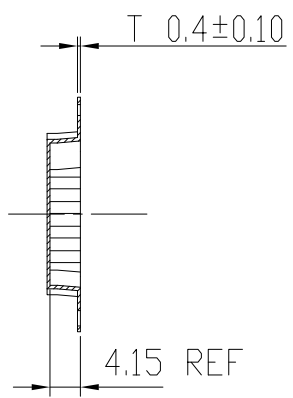


Copyright FCI.

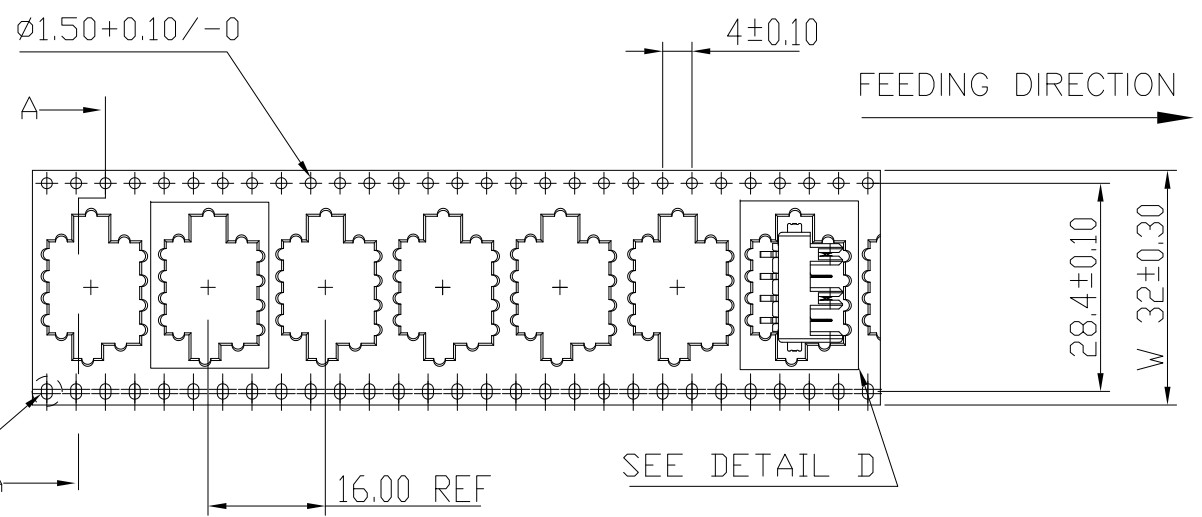
rev	ecn no	dr	date
-	-	-	-
-	-	-	-
-	-	-	-
-	-	-	-
-	-	-	-
-	-	-	-

www.fciconnect.com			surface ISO 1302	<input checked="" type="checkbox"/>	tolerance std ISO 406	ISO 1101	projection 	MM 
			TOLERANCES UNLESS OTHERWISE SPECIFIED					
Dr	M JACOB	2013-06-10	ANGULAR	LINEAR	0.X	±X	size	A4
Eng	M JACOB	2013-06-10			0.XX	± 0.2		Scale 3.000
Chr	M JACOB	2013-06-10	0°	±2°	0.XXX	±X	ECN	-
Appr	BIJU K PAUL	2013-06-10	Product family-RotaConnect			Spec ref -		
						title ASSEMBLY 4 POS HOR TYPE ROTATABLE BOARD TO BOARD CONNECTOR catalog no : 10120045-400LF		dwg no 10120045-400C Rev. A
						CUSTOMER DRAWING sheet 2 of 3		

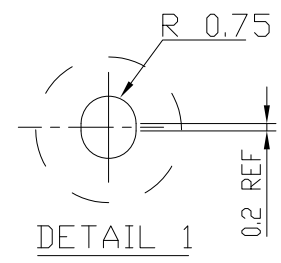
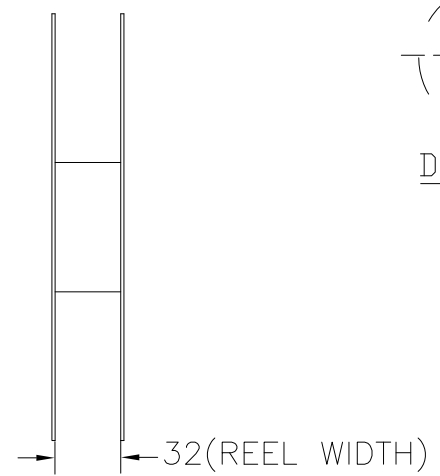
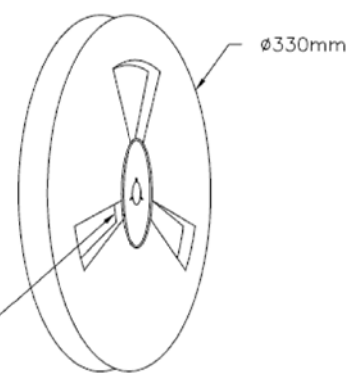
PART NUMBER  
10120045-400LF



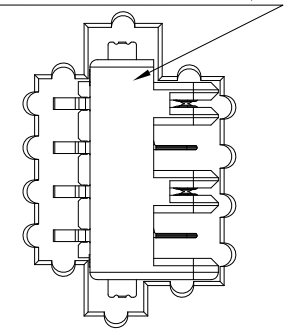
SECTION A-A



Copyright FCI.



Component inside carrier tape



DETAIL D  
SCALE 2:1

- NOTES :
1. MATERIAL : ANTI-STATIC POLYSTYRENE
  2. PACKAGING AS PER EIA-481 STD.
  3. QTY PER REEL : 975 NOS

www.fciconnect.com			surface ISO 1302	tolerance std ISO 406 ISO 1101	projection A4	MM Scale 1.000
			TOLERANCES UNLESS OTHERWISE SPECIFIED			
Dr	M JACOB	2013-06-10	ANGULAR	0.X	±X	size
Eng	M JACOB	2013-06-10	LINEAR	0.XX	±0.2	ECN
Chr	M JACOB	2013-06-10	0° ±2'	0.XXX	±X	Spec ref
Appr	BIJU K PAUL	2013-06-10	Product family - RotaConnect		-	
			title ASSEMBLY 4 POS HOR TYPE ROTATABLE BOARD TO BOARD CONNECTOR		dwg no 10120045-400C Rev. A	
			catalog no : 10120045-400LF		CUSTOMER DRAWING sheet 3 of 3	

# Mouser Electronics

Authorized Distributor

Click to View Pricing, Inventory, Delivery & Lifecycle Information:

[FCI / Amphenol:](#)

[10120045-400LF](#)