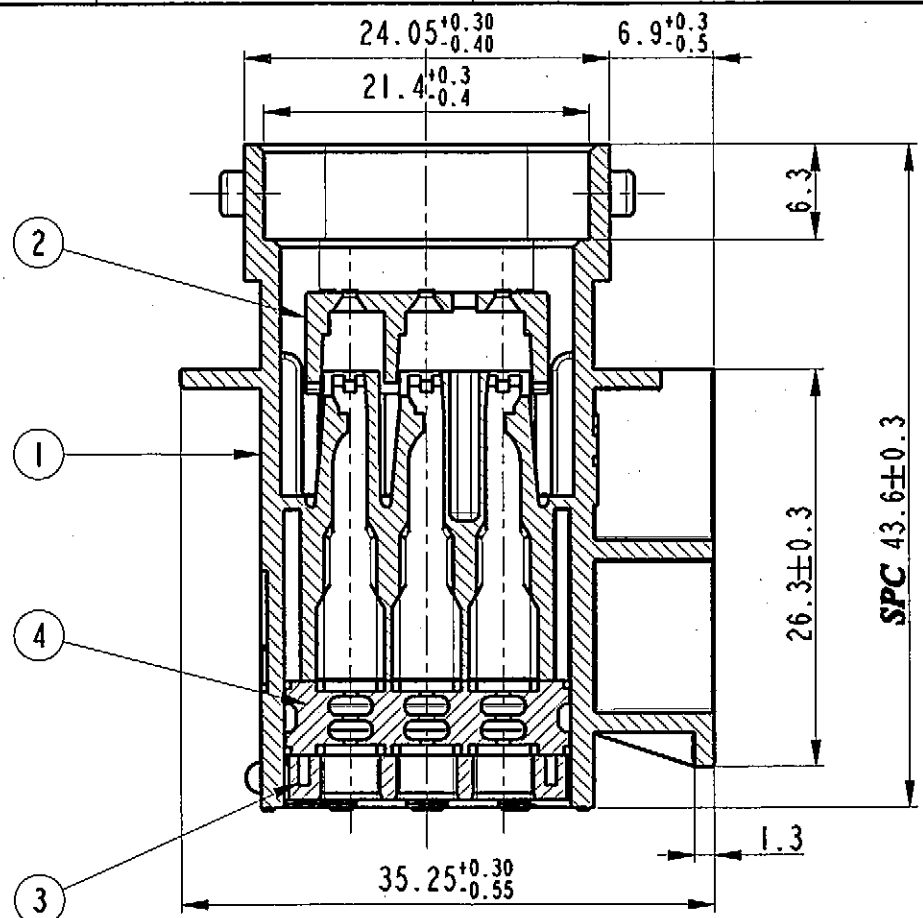
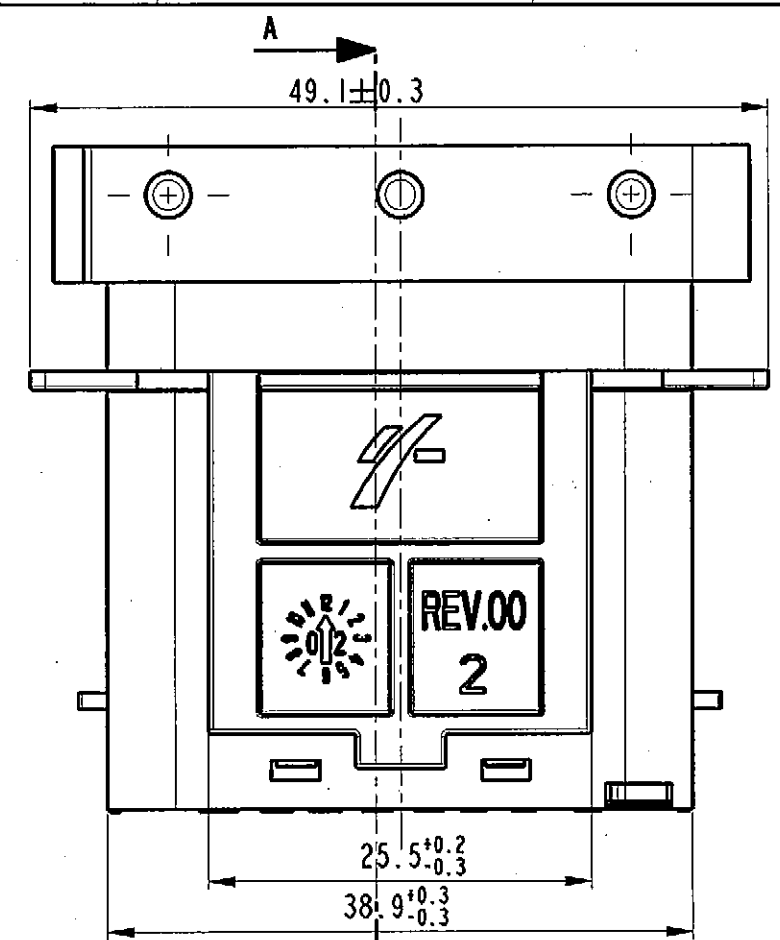
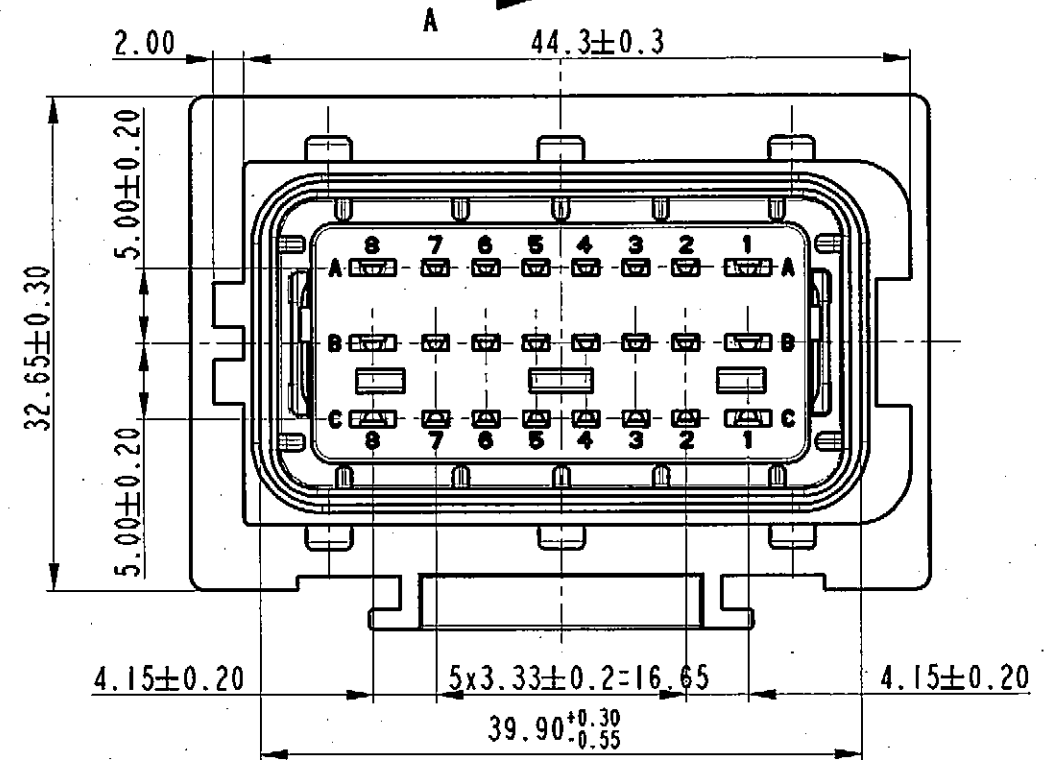


STRICTLY CONFIDENTIAL



N°	DESCRIPTION	COLOR	MATERIAL
1	HOUSING	BLACK-BROWN GREY-BLUE	PBT/ PA 6
2	SECONDARY LOCK GRID	YELLOW	PBT
3	GROMMET STOP	BLACK	PBT
4	GROMMET	RED, GREEN or BLUE	SILICON



THE CATALOG NUMBERS OF THIS VERSION ARE SHOWED IN THE TABLE SHEET 2 OF 4
 I NUMERI DI CATALOGO DI QUESTA VERSIONE SONO ELENCATI SULLA TABELLA FOGGIO 2 DI 4

SPC Statistical Process Control

ECN-NO.	DATE	DD / MM / YY	REVISION	POSITION	CHANGE DESCRIPTION	DRAWN BY	CHK. BY	APPR. BY
41/03	05/11/03		07		RELEASED FOR PRODUCTION			
	30/10/03		06		UPDATED DRAWING			R.R. G.S.
	21/10/03		05		SHEET 1 OF 4 CHANGE SPC DIMENSION FROM 43.9 ±0.3 - 0.5 TO 43.6 ±0.3			R.R. G.S.
	01/09/03		04		MODIFIED MATERIAL FOR THE FOLLOWING P/N 211PL249SX020 - 211PL249SX023 - 211PL249SX033 WAS PA6 GF IS PBT GF			R.R. G.S.
	28/05/03		03		ADDED P/N 211PL249SX043			R.R. G.S.
	21/03/03		02		UPDATED DRAWING			R.R. G.S.
	15/01/03		01		Added sheets 3 of 4 and 4 of 4			R.R. G.S.

CODING TABLE
 Tavola di codifica

TOLERANCES ±0.2
 Tolleranze

FRONT VIEW
 Vista frontale

■: FULL
 Pieno

COLOR	BLACK	GREY	BROWN	BLUE
Diagram				

PRODUCT SPEC. SPEC. DI PRODOTTO

PACKAGING SPEC. SPEC. DI IMBALLAGGIO

APPLICATION SPEC. SPEC. DI APPLICAZIONE

THIS DRAWING AND ALL OTHER INFORMATION CONTAINED THEREIN IS PROPRIETARY AND THE PROPERTY OF FCI. This drawing may not be copied, reproduced or disclosed to any third party without the expressed written permission of FCI. © FCI April 1999

QUESTO DISEGNO ED OGNI ALTRA INFORMAZIONE IN ESSO CONTENUTA SONO ESCLUSIVI E DI PROPRIETA' DELLA FCI. Questo disegno non puo' essere copiato, riprodotto o divulgato a terzi senza l'espresso consenso scritto della FCI. © FCI April 1999

TOLERANCES TOLLERANZE: ± 0.2mm. / ± 0.5°

MATERIAL: MATERIALE: SEE TABLE

COLOUR: COLORE: SEE TABLE

TOOL NO.

SURFACE FINISH FINITURA SUPERFICIALE

ISO PROJECTION PROIEZIONE ISO

CAD SYSTEM pro / eng.

AWG SIZE FORMATO A3

DO NOT SCALE DRAWING DISEGNO FUORI SCALA

LOC. CODE NAZIONALITA' I

DRAWING NUMBER NUMERO DISEGNO: FSC 309590

SHEET FOGLIO: 1 of 4

SCALE SCALA: 2:1

DRAWN BY DATA NAME TITLE DESCRIZIONE: 04/12/02 M. Marbidelli 24 WAYS SECTIONING ASSEMBLY MALE HOLDER

CHECKED BY CONTROLATO: 04/12/02 T. Cirriello

APPROVED BY APPROVATO

ESR NO. NUMERO ESR: ITA2043

FILE NAME NONE FILE: FSC 309590

CAT. NO. NUMERO CAT.: SEE TABLE ON SHEET 2 of 4

8

7

6

5

4

3


2

DRAWING NUMBER / NUMERO DISEGNO: FSC 309590
 REVISION / REVISIONE: 07
 SHEET / FOGLIO: 2/4
 APPROVAL LEVEL / LIV. DI APPROVAZIONE: []
 DRAWING / DISEGNO: C

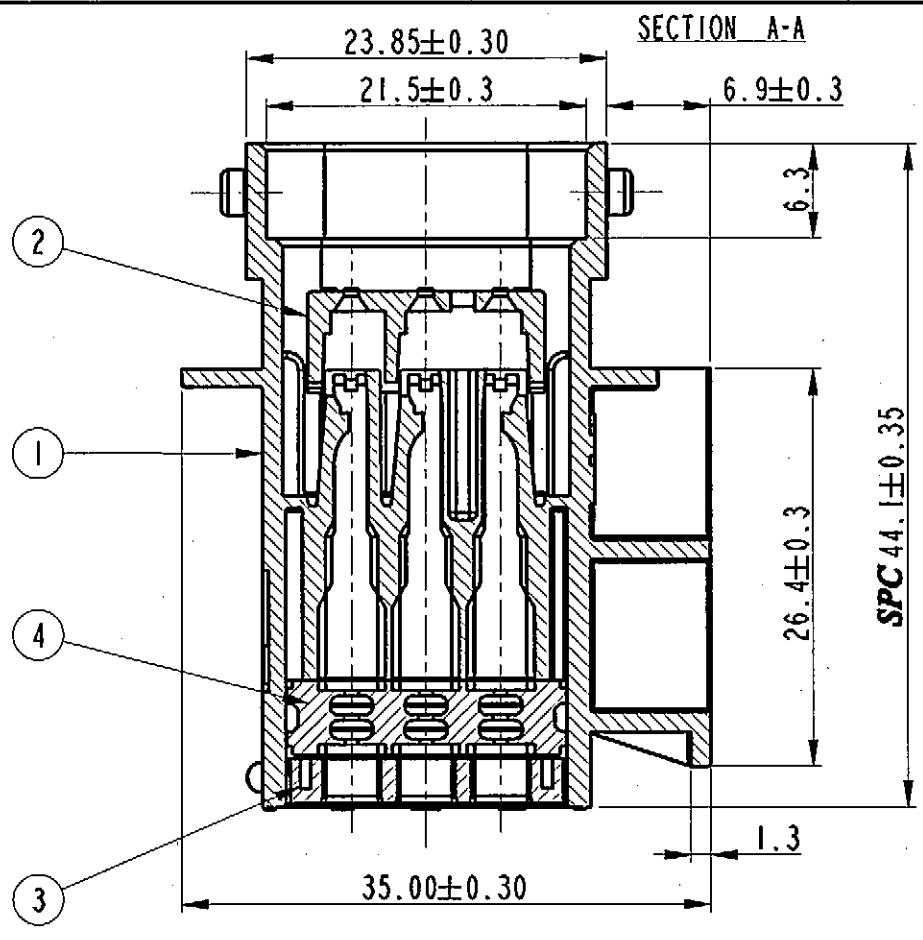
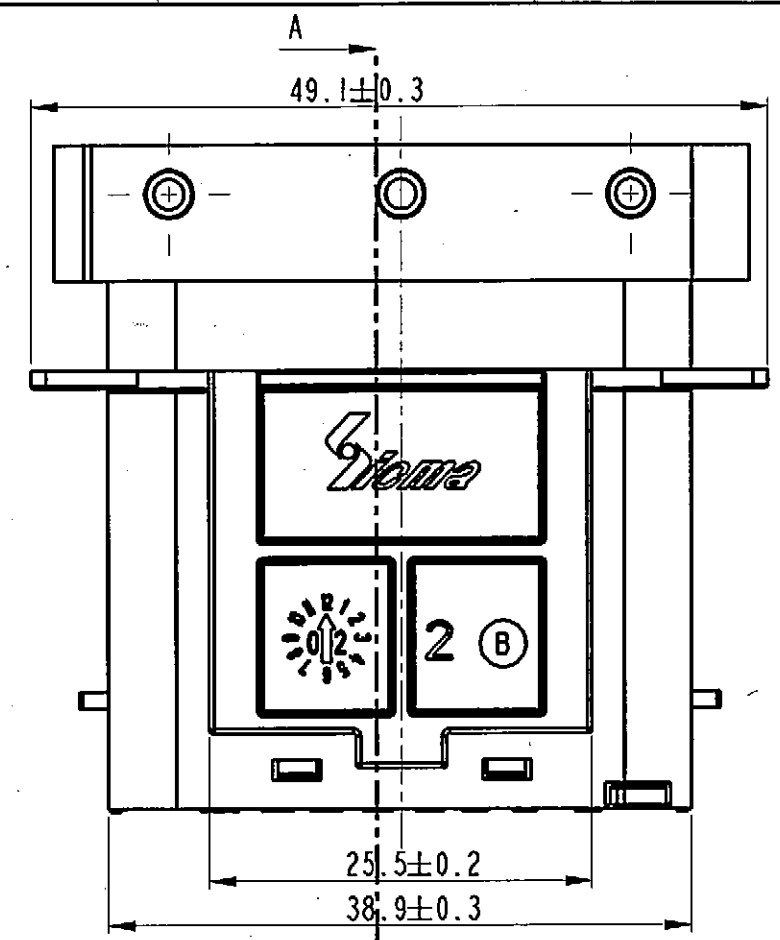
STRICTLY CONFIDENTIAL

COMPONENTS

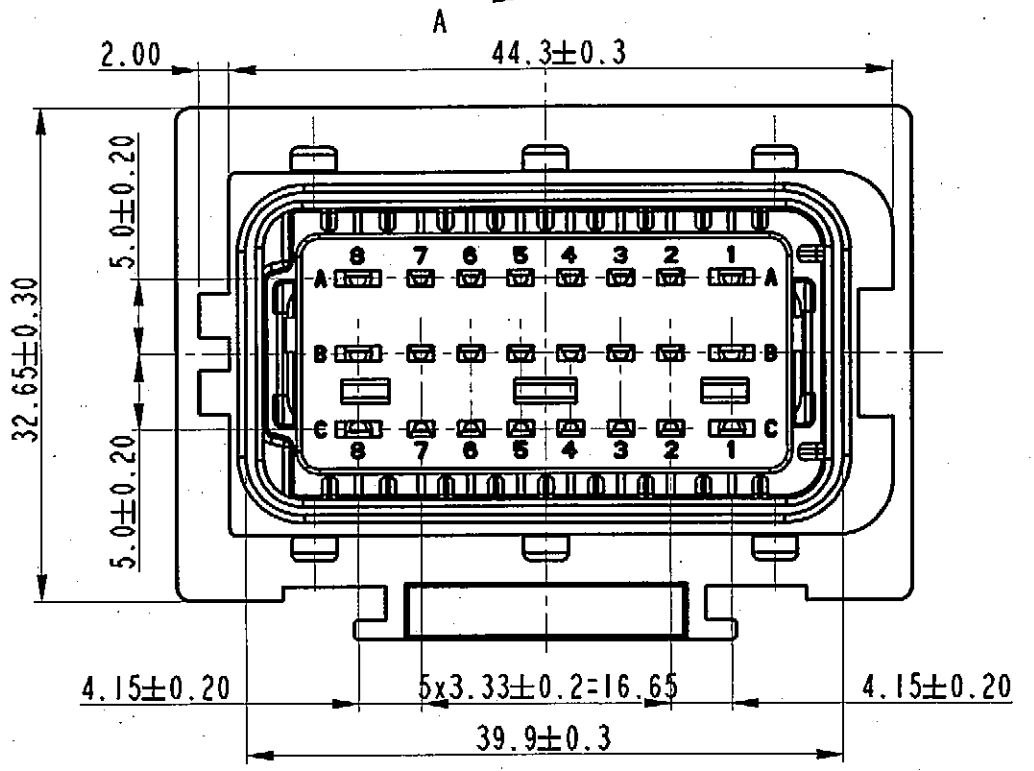
P/N ASSEMBLY	HOUSING	HOUSING MATERIAL	SEC. LOCK	GROMMET "RED"	GROMMET "GREEN"	GROMMET "BLUE"	GROMMET STOP	DETAIL "X"
2IIP249S0020	Black	PBT	Yes					
2IIP249SI020	Brown	PBT	Yes					
2IIP249S6020	Blue	PBT	Yes					
2IIP249S8020	Grey	PBT	Yes					
2IIP249S0023	Black	PBT	Yes	Yes			Yes	
2IIP249SI023	Brown	PBT	Yes	Yes			Yes	
2IIP249S6023	Blue	PBT	Yes	Yes			Yes	
2IIP249S8023	Grey	PBT	Yes	Yes			Yes	
2IIP249S0033	Black	PBT	Yes		Yes		Yes	
2IIP249SI033	Brown	PBT	Yes		Yes		Yes	
2IIP249S6033	Blue	PBT	Yes		Yes		Yes	
2IIP249S8033	Grey	PBT	Yes		Yes		Yes	
2IIP249S0043	Black	PA 6	Yes			Yes	Yes	
2IIP249SI043	Brown	PA 6	Yes			Yes	Yes	
2IIP249S6043	Blue	PA 6	Yes			Yes	Yes	
2IIP249S8043	Grey	PA 6	Yes			Yes	Yes	

ECN 41/03	05/11/03	07	RELEASED FOR PRODUCTION		
	30/10/03	06	UPDATED DRAWING		R.R.G.S.
	21/10/03	05	SHEET 1 OF 4 CHANGE SPC DIMENSION FROM 43.9 +0.3 - 0.5 TO 43.6 ±0.3		R.R.G.S.
	01/09/03	04	MODIFIED MATERIAL FOR THE FOLLOWING P/N 2IIP249SX020 - 2IIP249SX023 - 2IIP249SX033 WAS PA6 GF IS PBT GF		R.R.G.S.
	28/05/03	03	ADDED P/N 2IIP249SX043		R.R.G.S.
	21/03/03	02	UPDATED DRAWING		R.R.G.S.
	15/01/03	01	Added sheets 3 of 4 and 4 of 4		R.R.G.S.
ECN-NO. / NUMERO - ECH	DATE / DATA	REVISION / REVISIONE	POSITION / POSIZIONE	CHANGE DESCRIPTION / DESCRIZIONE MODIFICA	DRAWN BY / DISEGNATORE
PRODUCT SPEC. / SPEC. DI PRODOTTO	PACKAGING SPEC. / SPEC. DI IMBALLAGGIO	APPLICATION SPEC. / SPEC. DI APPLICAZIONE	THIS DRAWING AND ALL OTHER INFORMATION CONTAINED THEREIN IS PROPRIETARY AND THE PROPERTY OF FCI. This drawing may not be copied, reproduced or disclosed to any third party without the expressed written permission of FCI. © FCI April 1999		QUESTO DISEGNO ED OGNI ALTRA INFORMAZIONE IN ESSO CONTENUTA SONO ESCLUSIVI E DI PROPRIETA' DELLA FCI. Questo disegno non puo' essere copiato, riprodotto o divulgato a terzi senza l'espresso consenso scritto della FCI. © FCI April 1999
TOLERANCES / TOLLERANZE	MATERIAL / MATERIALE		SURFACE FINISH / FINITURA SUPERFICIALE		CAD SYSTEM
± 0.2mm. / ±0.5°	SEE TABLE				ISO PROJECTION / PROIEZIONE ISO
DO NOT SCALE DRAWING / DISEGNO FUORI SCALA	DATE / DATA	NAME / NOME	TITLE / DESCRIZIONE	DRAWING NUMBER / NUMERO DISEGNO	SHEET / FOGLIO
	04/12/02	M. Meridelli	24 WAYS SECTIONING ASSEMBLY MALE HOLDER	FSC 309590	2 of 4
DRAWN BY / DISEGNATORE	CHECKED BY / CONTROLLATO	APPROVED BY / APPROVATO	ESR NO. / NUMERO ESR	FILE NAME / NOME FILE	CAT. NO. / NUMERO CAT.
			ITA2043	FSC 309590	SEE TABLE
					SCALE / SCALA 2:1

STRICTLY CONFIDENTIAL



N°	DESCRIPTION	COLOR	MATERIAL
1	HOUSING	BLACK-BROWN GREY-BLUE	PBT - PA 6
2	SECONDARY LOCK GRID	YELLOW	PBT
3	GROMMET STOP	BLACK	PBT
4	GROMMET	RED, GREEN or BLUE	SILICON

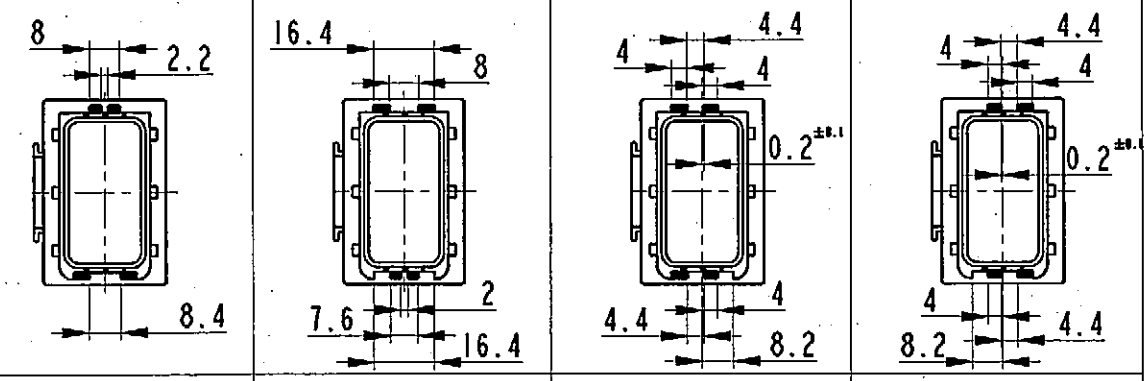


THE CATALOG NUMBERS OF THIS VERSION ARE SHOWN IN THE TABLE SHEET 4 OF 4
 I NUMERI DI CATALOGO DI QUESTA VERSIONE SONO ELENCATI SULLA TABELLA FOGLIO 4 DI 4

SPC Statistical Process Control

ECN-NO. / NUMERO - ECH	DATE / DATA	DD / MM / YY	REVISION / REVISIONE	POSITION / POSIZIONE	CHANGE DESCRIPTION / DESCRIZIONE MODIFICA	DRAWN BY / DISEGNATORE	CHK. BY / CONTROLLATO	APPR. BY / APPROVATO
ECN 41/03	05/11/03		07		RELEASED FOR PRODUCTION			
	30/10/03		06		UPDATED DRAWING			R.R. G.S.
	21/10/03		05		SHEET 1 OF 4 CHANGE SPC DIMENSION FROM 43.9 ±0.3 - 0.5 TO 43.6 ±0.3			R.R. G.S.
	01/09/03		04		MODIFIED MATERIAL FOR THE FOLLOWING P/N 211PL249SX020 - 211PL249SX023 - 211PL249SX033 WAS PA6 GF IS PBT GF			R.R. G.S.
	28/05/03		03		ADDED P/N 211PL249SX043			R.R. G.S.
	21/03/03		02		UPDATED DRAWING			R.R. G.S.
	15/01/03		01		Added sheets 3 of 4 and 4 of 4			R.R. G.S.

CODING TABLE
 Tavola di codifica
TOLERANCES ±0.2
 Tolleranze
FRONT VIEW
 Vista frontale
 ■: FULL
 Pieno



COLOR: BLACK, GREY, BROWN, BLUE

PRODUCT SPEC. / SPEC. DI PRODOTTO: THIS DRAWING AND ALL OTHER INFORMATION CONTAINED THEREIN IS PROPRIETARY AND THE PROPERTY OF FCI. This drawing may not be copied, reproduced or disclosed to any third party without the expressed written permission of FCI. © FCI April 1999

PACKAGING SPEC. / SPEC. DI IMBALLAGGIO: QUESTO DISEGNO ED OGNI ALTRA INFORMAZIONE IN ESSO CONTENUTA SONO ESCLUSIVI E DI PROPRIETA' DELLA FCI. Questo disegno non puo' essere copiato, riprodotto o divulgato a terzi senza l'espreso consenso scritto della FCI. © FCI April 1999

TOLERANCES / TOLLERANZE: ± 0.2mm. / ± 0.5°

MATERIAL / MATERIALE: SEE TABLE

SURFACE FINISH / FINITURA SUPERFICIALE: SEE TABLE

ISO PROJECTION / PROIEZIONE ISO: A

FCI

DO NOT SCALE DRAWING / DISEGNO FUORI SCALA

DRAWN BY / DISEGNATORE: 13/01/03 M. Marbidelli

CHECKED BY / CONTROLLATO: 13/01/03 T. Cirriello

APPROVED BY / APPROVATO

TITLE / DESCRIZIONE: 24 WAYS SECTIONING ASSEMBLY MALE HOLDER

FILE NAME / HOME FILE: ITA2043 FSC 309590

DRAWING NUMBER / NUMERO DISEGNO: FSC 309590

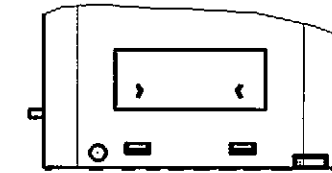
CAT. NO. / NUMERO CAT.: SEE TABLE ON SHEET 4 of 4

SHEET / FOGLIO: 3 of 4

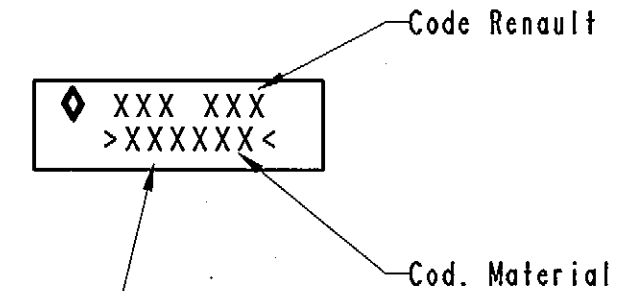
SCALE / SCALA: 2:1

STRICTLY CONFIDENTIAL

COMPONENTS								
P/N ASSEMBLY	HOUSING	HOUSING MATERIAL	SEC. LOCK	GROMMET "RED"	GROMMET "GREEN"	GROMMET "BLUE"	GROMMET STOP	DETAIL "X"
2I1PL249S0005	Black	PBT	Yes	Yes			Yes	Yes
2I1PL249SI005	Brown	PBT	Yes	Yes			Yes	Yes
2I1PL249S6005	Blue	PBT	Yes	Yes			Yes	Yes
2I1PL249S8005	Grey	PBT	Yes	Yes			Yes	Yes
2I1PL249S0052	Black	PA 6	Yes	Yes			Yes	Yes
2I1PL249SI052	Brown	PA 6	Yes	Yes			Yes	Yes
2I1PL249S6052	Blue	PA 6	Yes	Yes			Yes	Yes
2I1PL249S8052	Grey	PA 6	Yes	Yes			Yes	Yes



DETAIL "X"
 (Specific only for Renault Version)



Text height 2.5mm. in relief 0.1mm.

ECN-NO. / NUMERO - ECH	DATE / DATA	DD / MM / YY	REVISION / REVISIONE	POSITION / POSIZIONE	CHANGE DESCRIPTION / DESCRIZIONE MODIFICA	DRAWN BY / DISEGNATORE	CHK. BY / CONTROLLATO	APPR. BY / APPROVATO	
ECN 41/03	05/11/03		07		RELEASED FOR PRODUCTION				
-	30/10/03		06		UPDATED DRAWING			R.R. G.S.	
-	21/10/03		05		SHEET 1 OF 4 CHANGE SPC DIMENSION FROM 43.9 +0.3 - 0.5 TO 43.6 ±0.3			R.R. G.S.	
-	01/09/03		04		MODIFIED MATERIAL FOR THE FOLLOWING P/N 2I1PL249SX020 - 2I1PL249SX023 - 2I1PL249SX033 WAS PA6 GF IS PBT GF			R.R. G.S.	
-	28/05/03		03		ADDED P/N 2I1PL249SX043			R.R. G.S.	
-	21/03/03		02		UPDATED DRAWING			R.R. G.S.	
-	15/01/03		01		Added sheets 3 of 4 and 4 of 4			R.R. G.S.	
PRODUCT SPEC. / SPEC. DI PRODOTTO		PACKAGING SPEC. / SPEC. DI IMBALLAGGIO		APPLICATION SPEC. / SPEC. DI APPLICAZIONE		THIS DRAWING AND ALL OTHER INFORMATION CONTAINED THEREIN IS PROPRIETARY AND THE PROPERTY OF FCI. This drawing may not be copied, reproduced or disclosed to any third party without the expressed written permission of FCI. © FCI April 1999		QUESTO DISEGNO ED OGNI ALTRA INFORMAZIONE IN ESSO CONTENUTA SONO ESCLUSIVI E DI PROPRIETA' DELLA FCI. Questo disegno non puo' essere copiato, riprodotto o divulgato a terzi senza l'espresso consenso scritto della FCI. © FCI April 1999	
TOLERANCES / TOLLERANZE		MATERIAL / MATERIALE		SURFACE FINISH / FINITURA SUPERFICIALE		ISO PROJECTION / PROIEZIONE ISO		CAD SYSTEM	
± 0.2mm. / ± 0.5°		SEE TABLE				A FCI		pro / eng. A3	
DO NOT SCALE DRAWING / DISEGNO FUORI SCALA		TOOL NO.		LOC. CODE / NAZIONALITA'		DRAWING NUMBER / NUMERO DISEGNO		SHEET / FOGLIO	
				I		FSC 309590		4 of 4	
DRAWN BY / DISEGNATORE		DATE / DATA		NAME / NOME		TITLE / DESCRIZIONE		APPROVED BY / APPROVATO	
13/01/03		M. Norbidei		T. Cirillo		24 WAYS SECTIONING ASSEMBLY MALE HOLDER			
CHECKED BY / CONTROLLATO		DATE / DATA		NAME / NOME		FILE NAME / NUMERO ESR		SCALE / SCALA	
13/01/03		T. Cirillo				ITA2043 FSC 309590		SEE TABLE	

Mouser Electronics

Authorized Distributor

Click to View Pricing, Inventory, Delivery & Lifecycle Information:

[Aptiv:](#)

[211PL249S0020-B1](#) [211PL249S0023](#) [211PL249S0033](#) [211PL249S0033-B1](#) [211PL249S1033](#) [211PL249S1033-B1](#)
[211PL249S6020-B1](#) [211PL249S6033](#) [211PL249S6033-B1](#) [211PL249S8033-B1](#) [211PL249S6033-B](#)
[211PL249S0023-B](#) [211PL249S0033-B](#) [211PL249S8033-B](#) [211PL249S8033](#)

[Delphi Connection Systems:](#)

[211PL249S0005](#) [211PL249S0005-B](#)