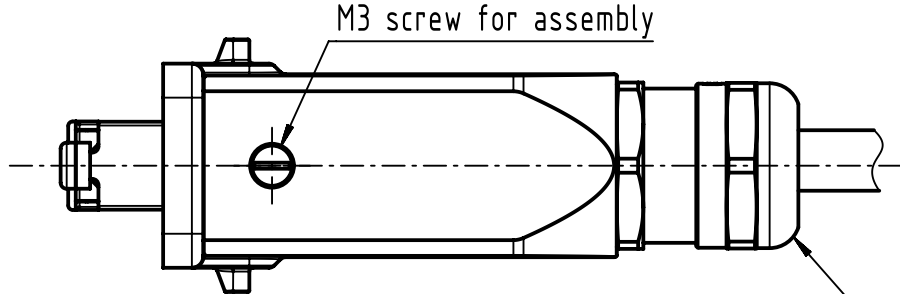


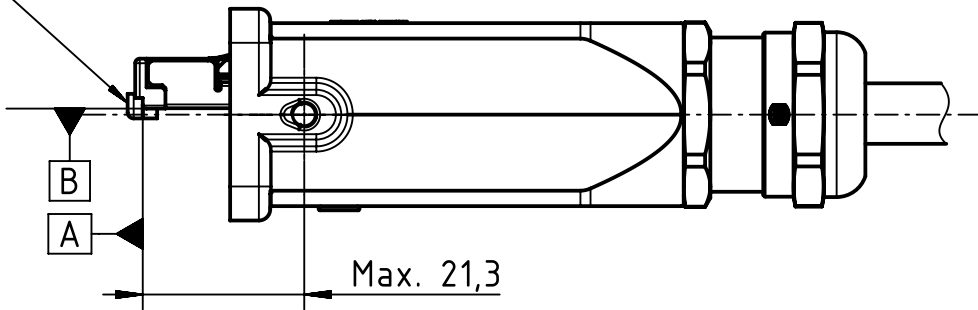
1 2 3 4 5 6

A



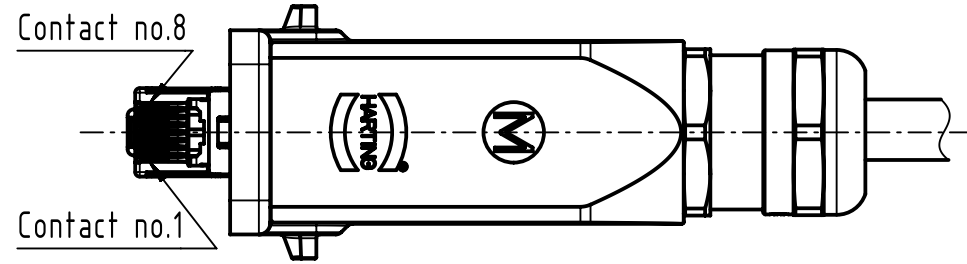
Mating face acc. to IEC 60603-7 M20x1,5 metal sealing gland

B



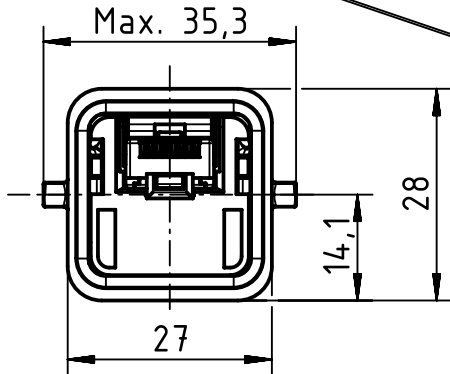
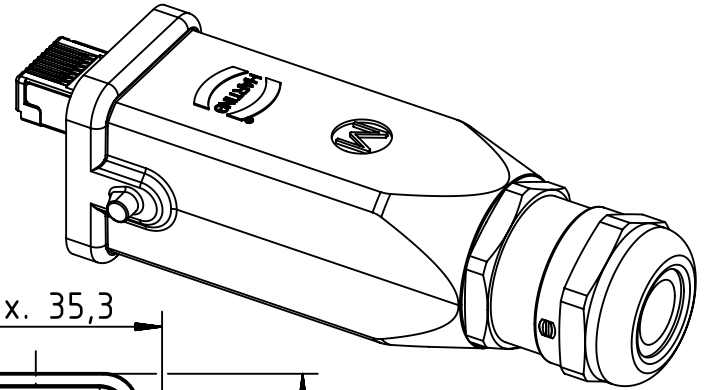
Max. 21,3

C



Contact no.8

Contact no.1



Max. 35,3

27


28

14,1

- For solid and stranded conductors (AWG27 up to AWG22)
- Max. wire diameter 1,5mm
- Cable diameter 5 to 9mm
- Degree of protection IP65/IP67
- Cat.6, Performance class E_A
- Suitable for 1/10 Gigabit Ethernet
- Temperature range: -40°C up to +70°C
- 750 mating cycles

D

Data contacts plating:
Au 1,27µm (50µ") over Nickel

	All Dimensions in mm Original Size DIN A4		Scale 1:1	Free size tol.		Ref.	
	All rights reserved Department EC PD - RO		Created by TAMAS	Inspected by POPESCUD	Standardisation HOFFMANN	Date 2017-08-30	State Final Release
HARTING Electronics GmbH D-32339 Espelkamp		Title Han3A RJ45 10G Cat6 plug 8p IDC				Doc-Key / ECM-Nr. 100229058/UGD/001/C 500000124639	
		Type TB	Number 09451151560			Rev. C	Page 1/1

Mouser Electronics

Authorized Distributor

Click to View Pricing, Inventory, Delivery & Lifecycle Information:

[HARTING:](#)

[09451151560](#)