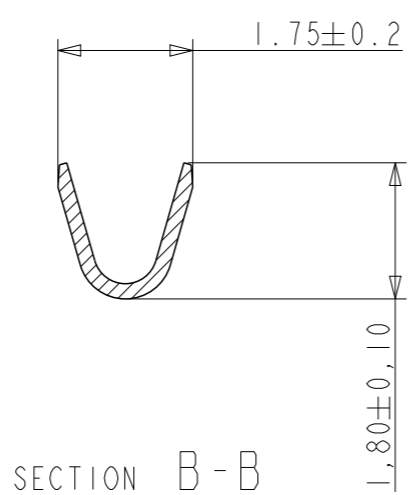
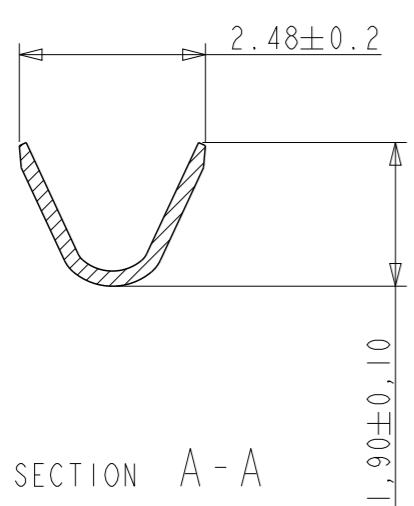
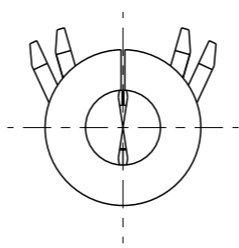
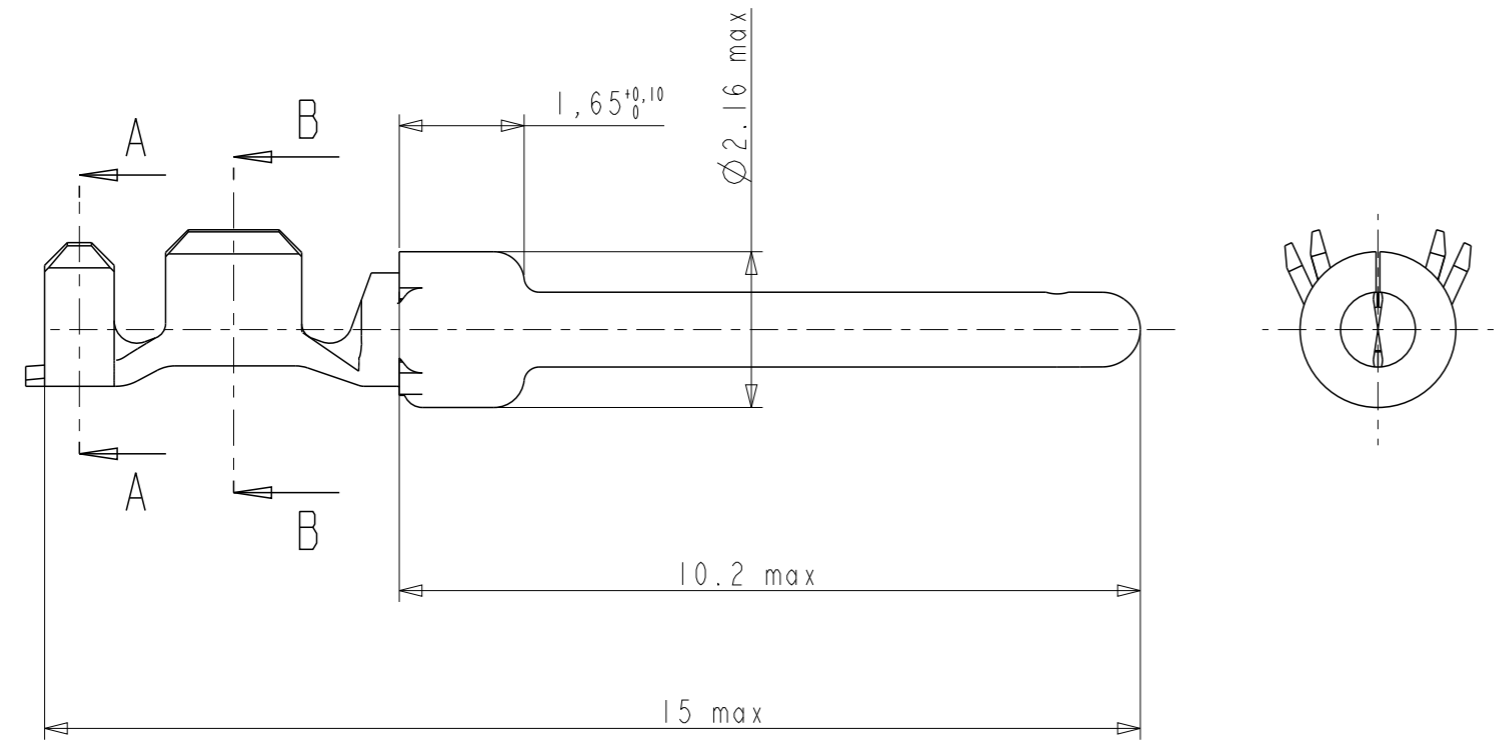
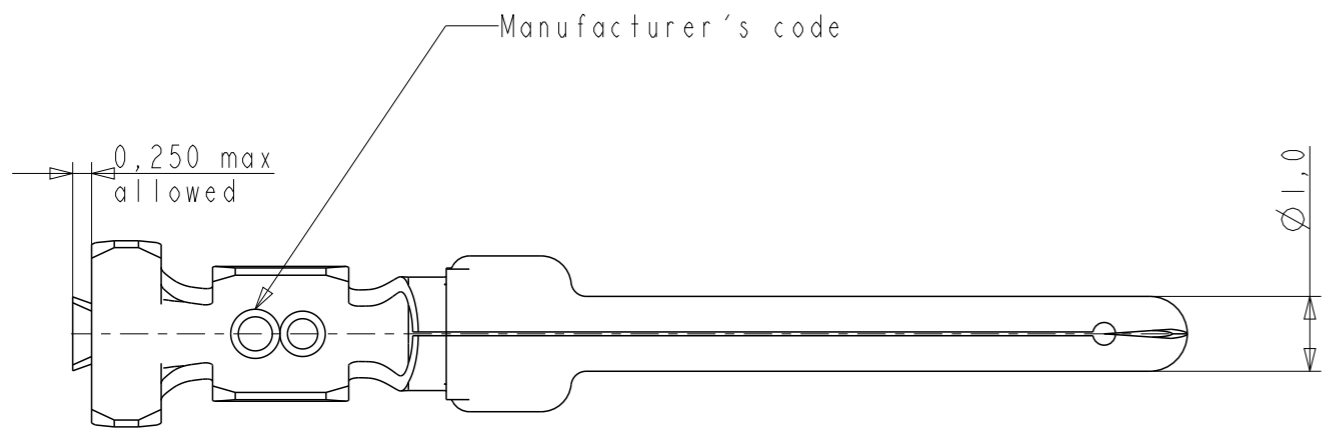


NOTES:

- 1-Material:Phosphor bronze thickness 0.20
- 2-Finish on contact area:see table
finish on termination:bright tin over nickel
- 3-Wire range:20 to 24 AWG
- 4-Max outer dia of wire insulator:1.73 mm
- 5-Current carrying capacity per contact:
 - 5.Amps max when crimped to #20 AWG
 - 5 Amps max when crimped to #22 AWG
 - 3 Amps max when crimped to #24 AWG
- 6-After 5 insertions into connector, contact retention must be 5 pounds axial load min
- 7-When contact is crimped to 20 AWG,the insulation support crimped height must be 1.78 mm max to ensure a proper insertion into housing
- 6-Packaging:Box of 500 contacts

NOTE : ROHS INFORMATIONS

The LF products meet European union directives and other country regulations as described in GS-22-008
 Terminations plating spec : 2um Nickel min + 2um Sn min
 Packaging Spec : see GS-14-920



8656352064LF	flash Au
8656352064	flash Au
8656352067LF	0.4µ Au/GXT
8656352067	0.4µ Au/GXT
8656352065LF	0.75µ Au/GXT
8656352065	0.75µ Au/GXT
PART NUMBER	Plating

www.fciconnect.com		surface - ✓ ISO 1302	tolerance std ISO 406 ISO 1101	projection mm
		TOLERANCES UNLESS OTHERWISE SPECIFIED		mm
Dr	C JARRY	1997-01-28	ANGULAR	0.X ±0.3
Eng	ABHILASH M R	2009-06-22	LINEAR	0.XX ±0.1
Chr	ABHILASH M R	2009-06-22	0° ±2°	0.XXX ±0.05
Appr	SUDHIR VARMA	2009-06-22	Product family	D-SUB Spec ref
FCi		CRIMP PIN		dwg no C01-8656-0514
		#wire 20-24 in Box of 500 cts		Rev. J
		catalog no		CUSTOMER sheet 1 of 1

rev	ecn no	dr	date
C	LS06-006	MPE	07-07-03
D	LS06-0196	MPE	27/11/2006
E	LS06-0210	MPE	2006/12/07
F	LF08-0127	MPE	2008/05/13
G	109-0107	AMR	2009/06/22
H	110-0070	AMR	2010-03-09
J	111-0003	AMR	2011-01-06



Copyright FCI.

Mouser Electronics

Authorized Distributor

Click to View Pricing, Inventory, Delivery & Lifecycle Information:

[FCI / Amphenol:](#)

[8656352065LF](#)