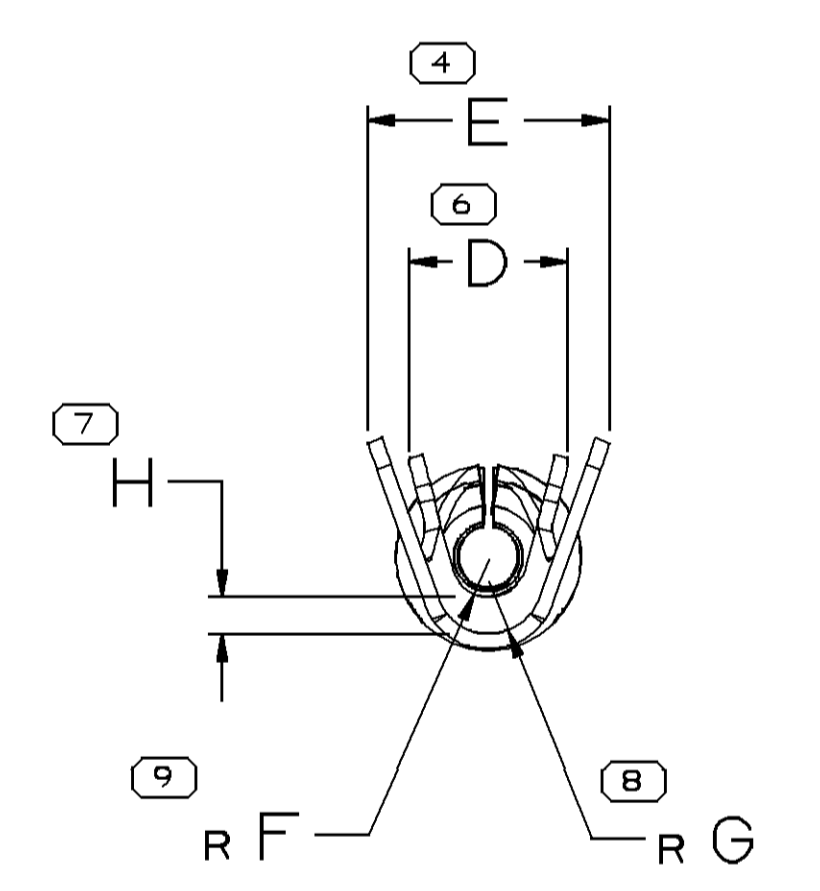
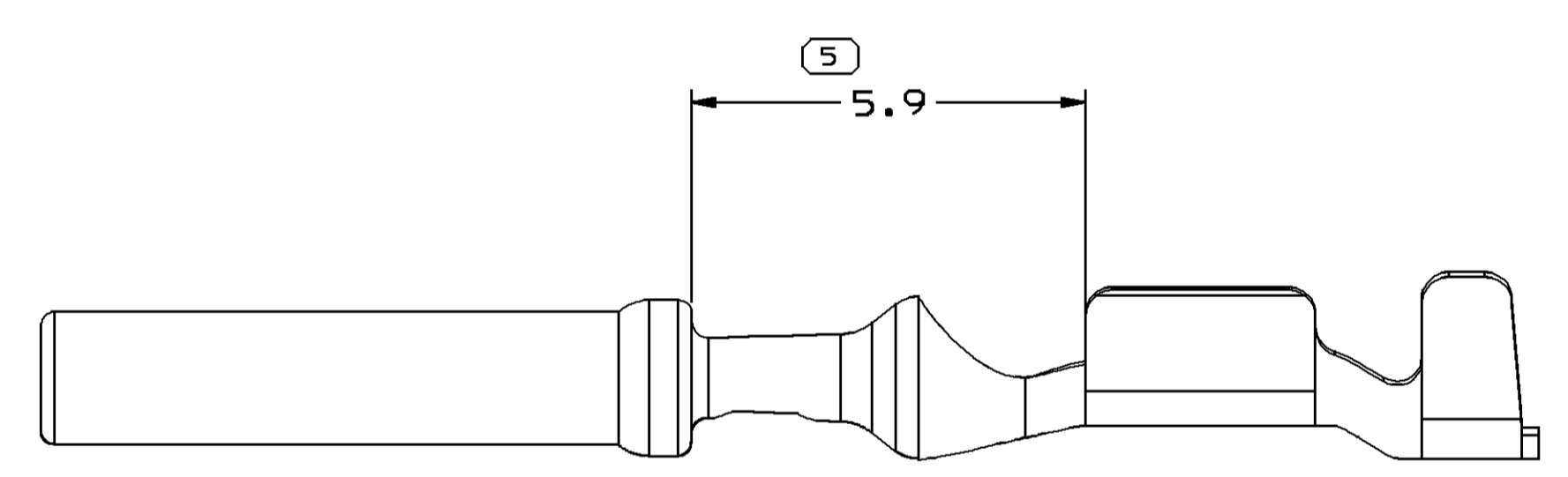
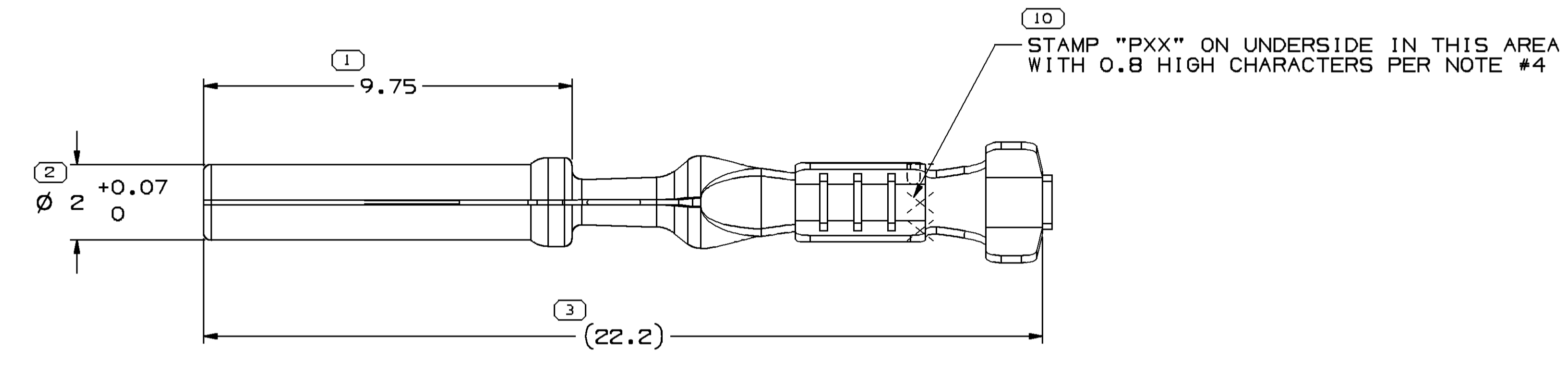
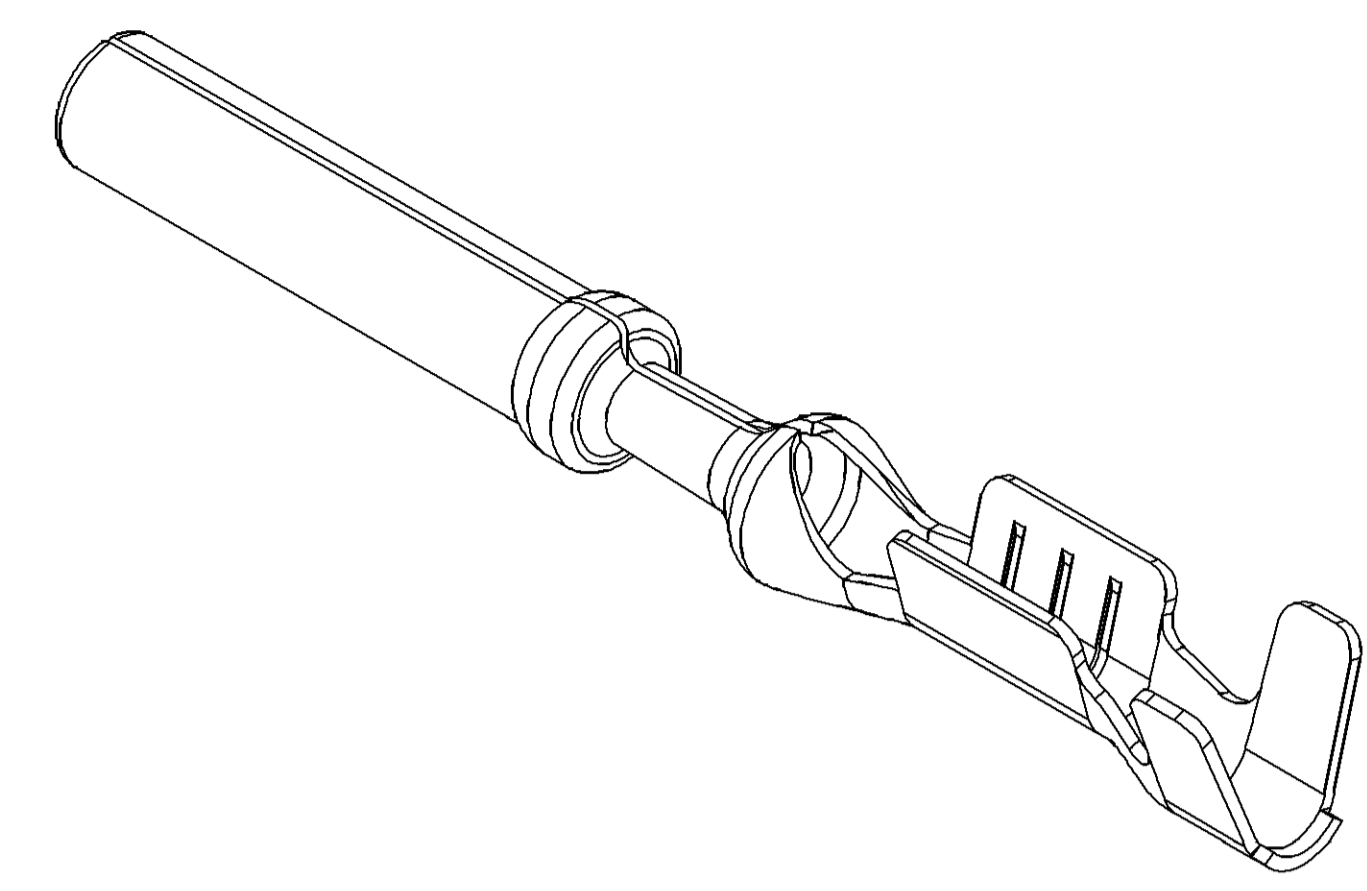


SYMBOL DEFINITION		TOTAL NO OF INSPECTIONS REQUIRED	MISSING SYMBOL NUMBER
A	DIMENSION WITHOUT AN INSPECTION REPORT SYMBOL DOES NOT REQUIRE INSPECTION. IT MAY BE CONTROLLED ON THE INDIVIDUAL COMPONENT DRAWING.	10	
		LAST NO. USED	10

DWG STATUS				REVISION HISTORY				AUTH	
DATE	STG	REV	N/P	CHG	ZONE			DR	APVD
02AU99	R	001	-	-		CLEARED REV COLUMN & REVISED PACKAGING DETAILS	195707	CRW	JHV
04FE00	R	002	-	-		UPDATED PDM ATTRIBUTES	198936	JTV	JVM
04FE00	R	003	-	-		15359001 & 15359002 - RELEASED	000005	JTV	JVM
26AP00	R	004	-	-		UPDATED PDM ATTRIBUTES	200791	WRC	WRC
08AU00	R	005	-	-		REVISED ALL PARTS - ADDED NOTE #3	202594	JHH	JHH
22MR05	R	06	-	-		15359001 - UPDATED PDM ATTRIBUTES, ALL PARTS - ADDED CONN & PIN IN CHART, ADDED NOTE #4, REVISED NOTE #2	266170	TAI	TAI
07DE05	R	07	-	-		15359001 - UPDATED PDM ATTRIBUTES	275453	DAD	DAD
07AP09	R	08	-	-		12176828 & 12176829 - RESTRICTED & ADDED "RESTRICTED USAGE" AND "REPLACED BY" COLUMNS FROM CHART	407810	ESC	JVM
09OC09	R	09	-	-		12176828 & 12176829 - OBSOLETE	409163	FBF	ERM
09SE10	R	10	-	-		ALL ACTIVE PARTS - REDRAWN	411744	AGM	JVM



NOTES

- UNLESS OTHERWISE SPECIFIED AND/OR INDICATED:
DIMENSIONS ARE TO FACE OF VIEW SHOWN AND AUTOMATICALLY ROUNDED BY COMPUTER FOR INSPECTION (SEE MATH MODEL FOR PRECISE DIMENSIONS). FOR ALL OTHER DIMENSIONS NOT SHOWN BUT REQUIRED FOR TOOL BUILD, SEE MATH MODEL FOR PRECISE TOOL PATH DATA.
- REFERENCE MATING COMPONENTS OR EQUIVALENT:
SEE CHART
- TERMINAL MUST FIT A MAX Ø2.54 MM GAGE HOLE 12 MM DEEP AFTER CRIMPING.
- "PXX" INDICATES "P" PLUS LAST TWO DIGITS OF MAKE DIE SERIES NUMBER (P01, P02, P03, ETC).

PART DRAWING	
STYLE	
VOLUME (OMP)	DISTR CODE
UNLESS OTHERWISE SPECIFIED	
THIS DOCUMENT IS IN ACCORDANCE WITH ASME Y14.5M-1994 AS MODIFIED BY THE 3D DIMENSIONING AND TOLERANCING ADDENDUM-2001. SEPARATE PATTERNS OF FEATURES MAY BE DIMED SEPARATELY, REGARDLESS OF DIMENSIONAL REFERENCES.	
ALL DIMENSIONS ARE IN MILLIMETERS	

DELPHI
DELPHI PACKARD ELECTRICAL/ELECTRONIC ARCHITECTURE
WARREN, OH

DR	DATE
APV01 CLAUDIA WYLER	06AU99
APV02 JOSE HUERTA	06AU99
APV03 JOSE HUERTA	06AU99
APV04	
APV05	

SUBSTANCES OF CONCERN AND RECYCLED CONTENT, PER DELPHI (044990)

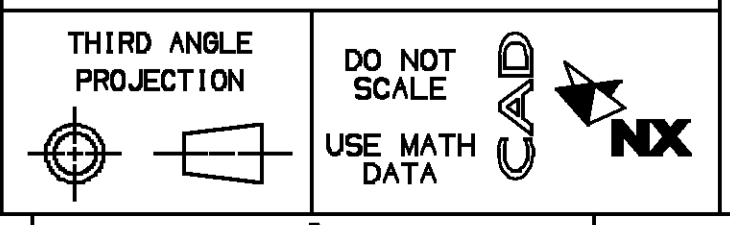
MATERIAL SEE CHART

DRAWING NAME
TAXI TERM F MIC/P 100W

DRAWING NUMBER
12176830

SIZE A0 SCALE 10:1 FRM NO 1 OF 1 SHEET NO 1 OF 1 STG REV N/P 10 -

PROCESS SENSITIVE DIMENSION	
DIMENSIONS ENCLOSED IN () INDICATE REFERENCE DIMENSIONS AND NO TOLERANCE LIMITS ARE ESTABLISHED	
DIMENSIONAL RANGE (MM)	CHART CD
FROM 0 TO 12	> 12
TOLERANCE UNLESS OTHERWISE SPECIFIED	
±0.1	±0.2
ANGULAR TOLERANCE ±2°	



PART NO	REV	N/P	STATUS	RESTRICTED USAGE	REPLACED BY	MAT'L SIZE	MAT'L SPEC	SIZE (MMF)	ID	DIA	D	E	F±0.2	Ø±0.2	H±0.2	CONN	PIN
15359002	01	AC	-	-	-	0.2 X 36.5	METL NONFERROUS C42500 1/2 HD	0.8	18	2.04 ±0.08	2.5 ±0.2	3.2 ±0.2	0.5	0.7	0.5	12129025	12092396
15359001	01	AE	-	-	-	0.2 X 36.5	METL NONFERROUS C42500 1/2 HD	0.35 - 0.5	21	1.92 ±0.08	2.1 ±0.2	3.2 ±0.2	0.5	0.7	0.5	12129025	12092396
12176829	EB	-	OBSOLETE	RESTRICTED	15359002	0.2 X 36.5	METL NONFERROUS C42500 1/2 HD	0.8	18	2.04 ±0.08	2.5 ±0.2	3.2 ±0.2	0.5	0.7	0.5	12129025	12092396
12176828	EB	-	OBSOLETE	RESTRICTED	15359001	0.2 X 36.5	METL NONFERROUS C42500 1/2 HD	0.35 - 0.5	21	1.92 ±0.08	2.1 ±0.2	3.2 ±0.2	0.5	0.7	0.5	12129025	12092396

Mouser Electronics

Authorized Distributor

Click to View Pricing, Inventory, Delivery & Lifecycle Information:

[Aptiv:](#)

[15359001](#) [15359002](#)