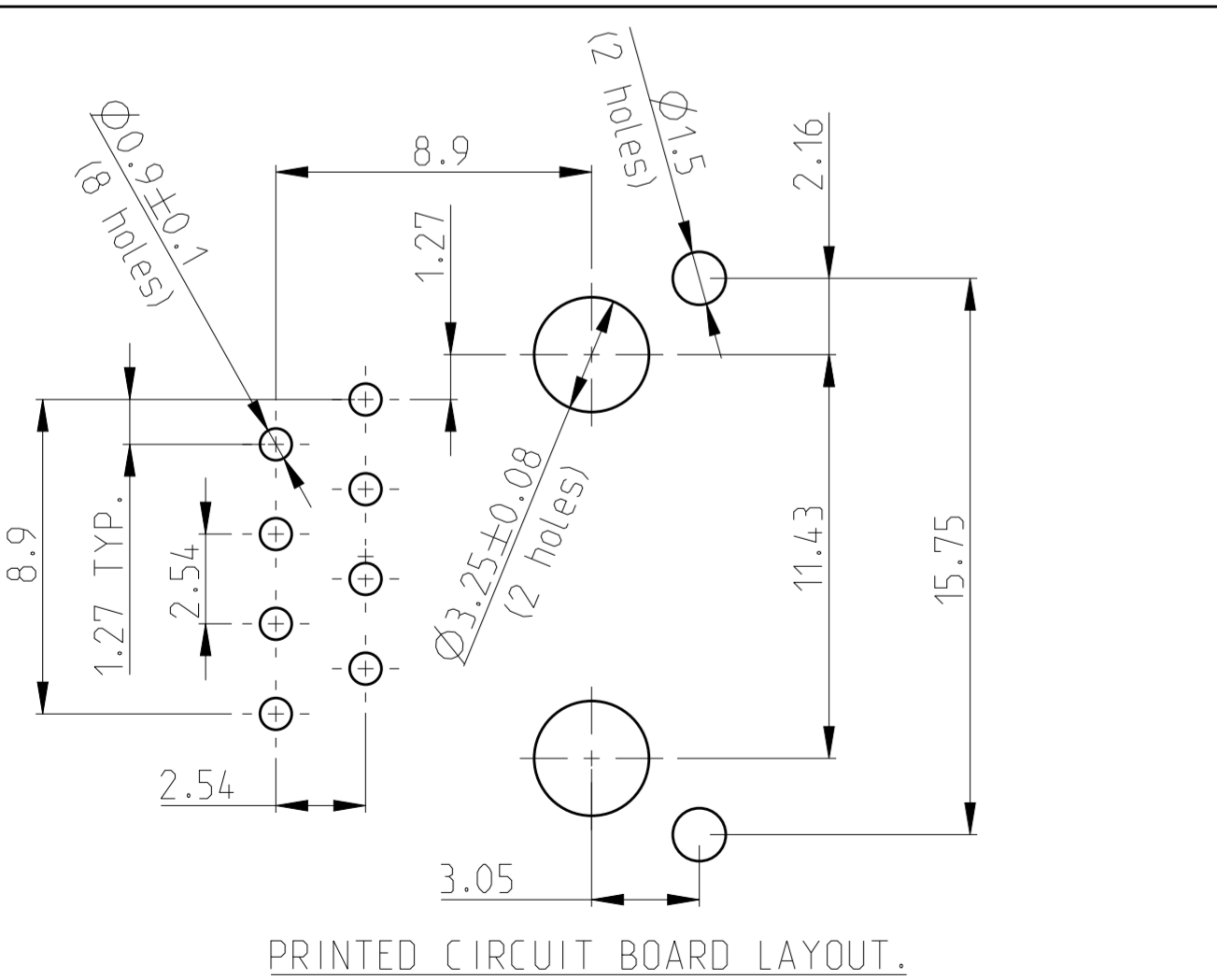
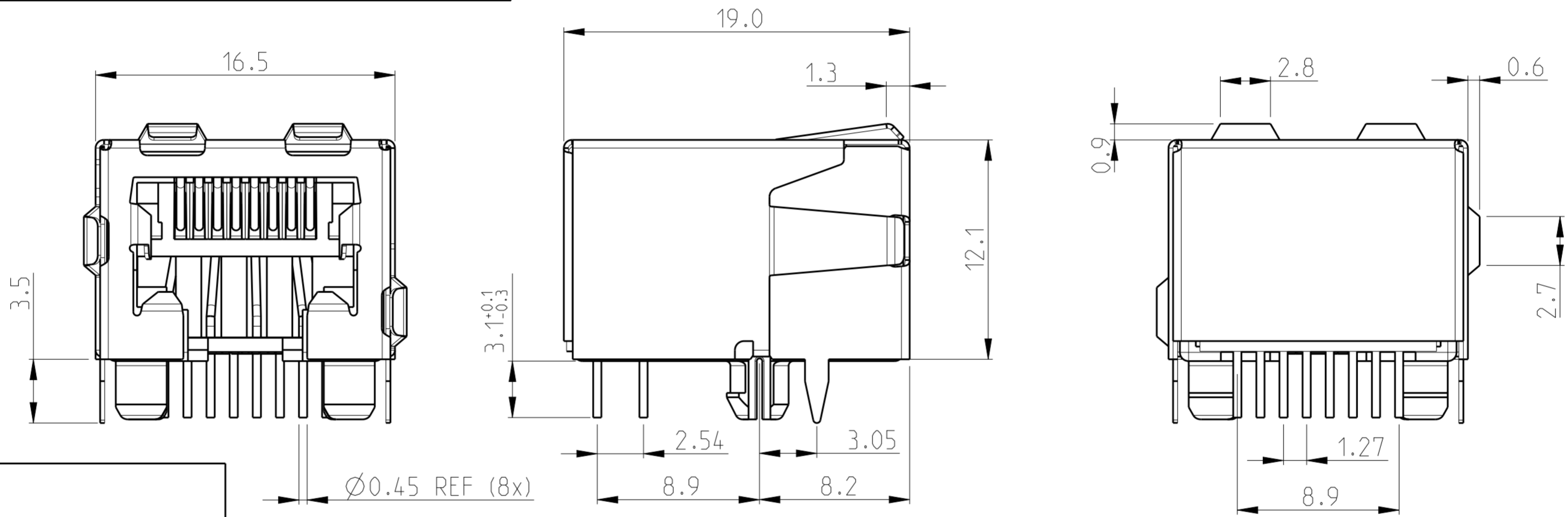
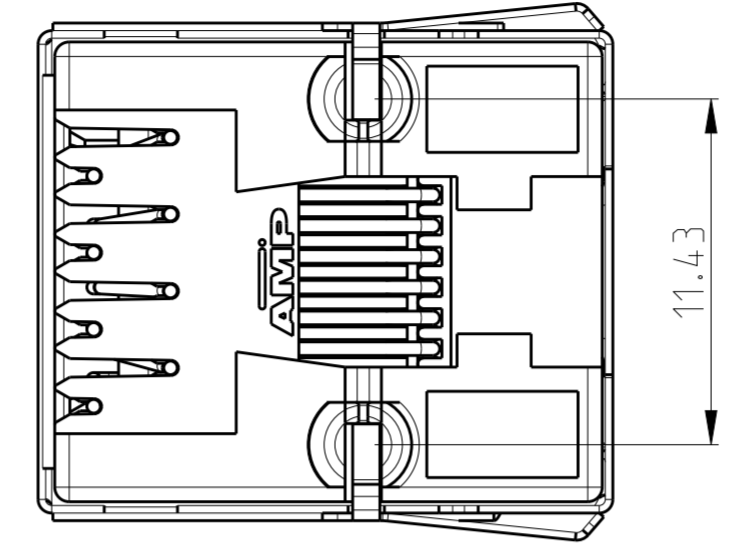
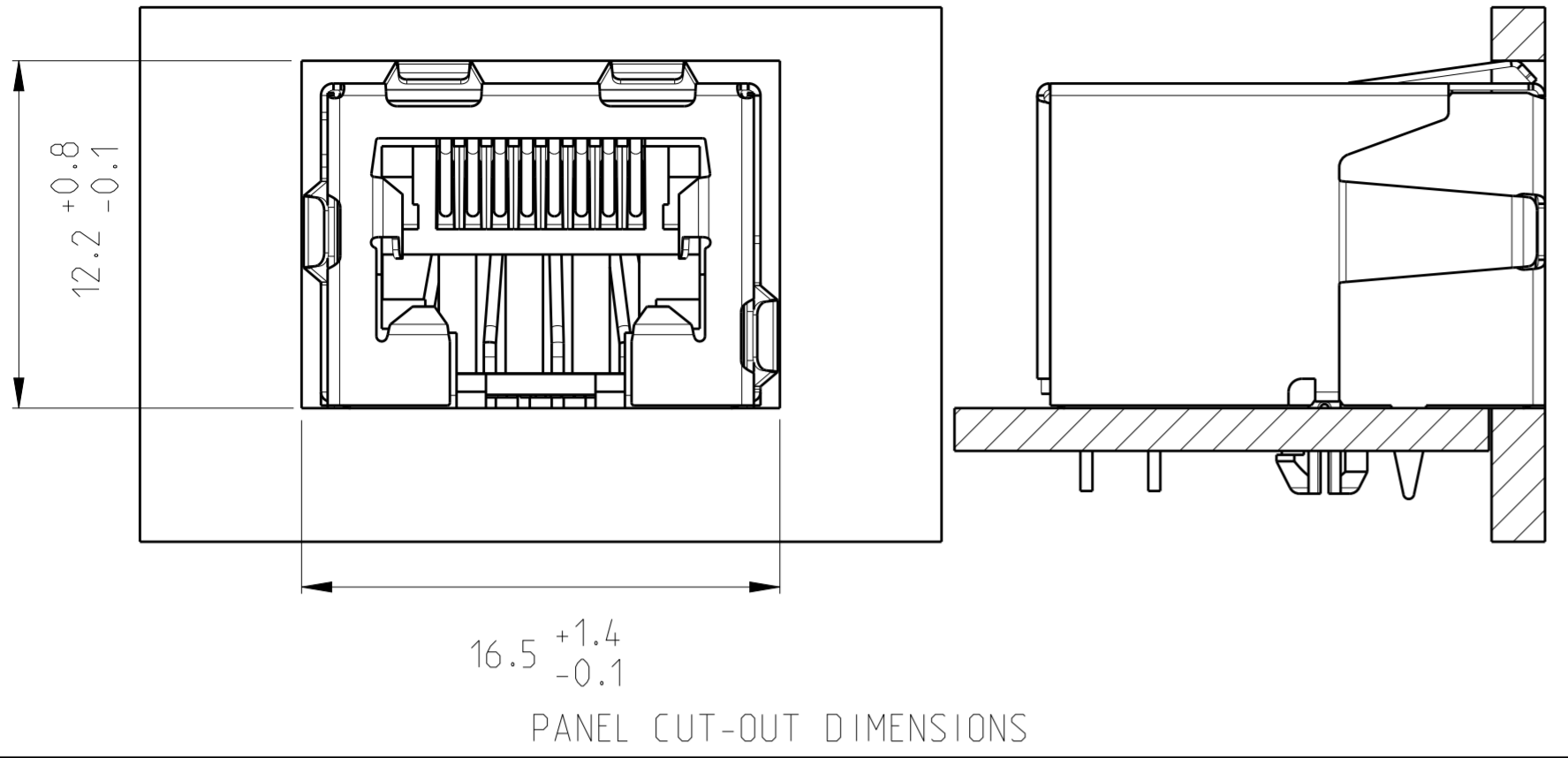


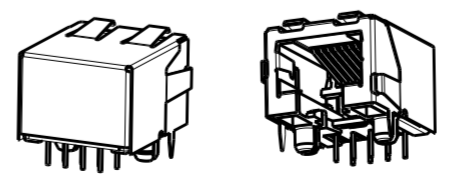
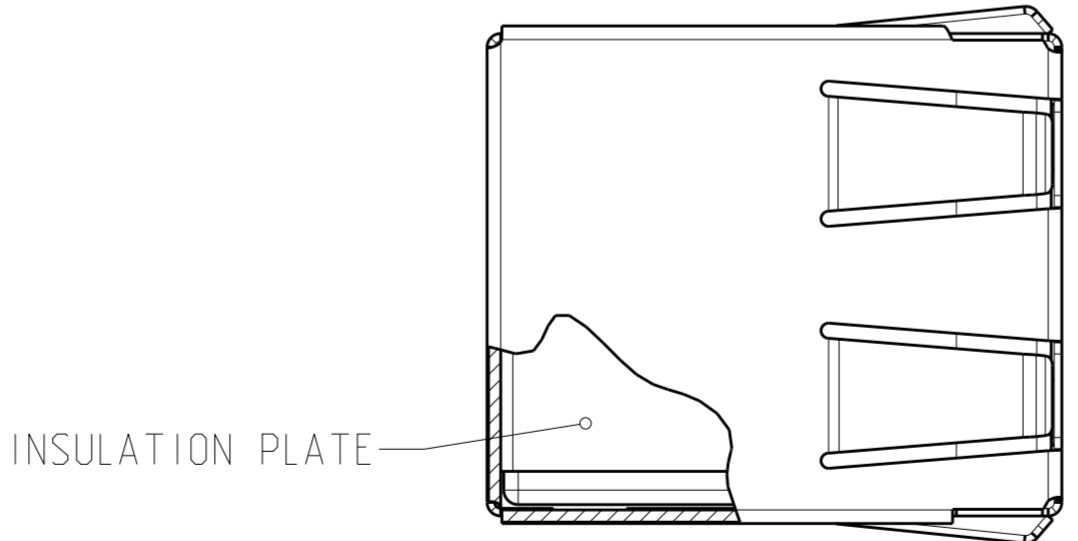
THIS DRAWING IS UNPUBLISHED. RELEASED FOR PUBLICATION 2000
 © COPYRIGHT 2000 TE CONNECTIVITY ALL RIGHTS RESERVED.

LOC		DIST		REVISIONS			
P	LTR	DESCRIPTION	DATE	DWN	APVD		
	C	SHIELD RAW MATERIAL CHANGE TO BRASS	08MAR2012	PS	RRP		
	C1	ECR-12-014775	21AUG2012	SS	RRP		



PRINTED CIRCUIT BOARD LAYOUT.

(VIEW SHOWN IS CIRCUIT (NONCOMPONENT) SIDE OF BOARD)
 PRINTED CIRCUIT BOARD THICKNESS: 1.6 mm NOMINAL.
 TOLERANCE UNLESS OTHERWISE SPECIFIED: ±0.05mm.



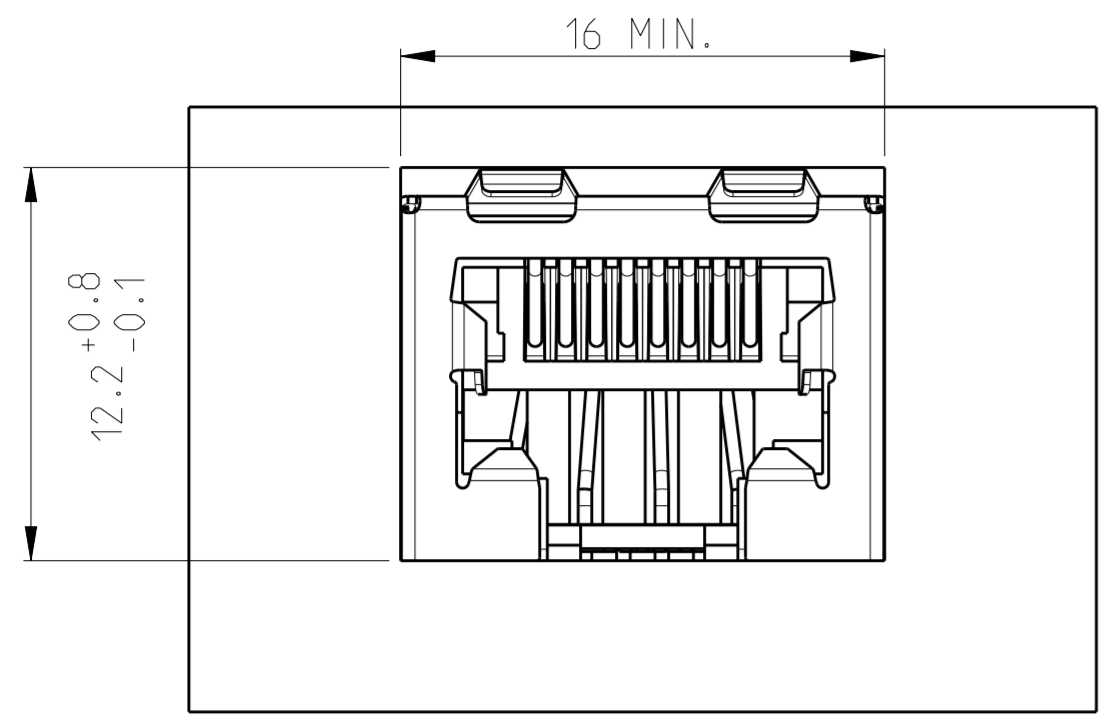
SCALE: 1:1

PACKAGED 190 PIECES IN A TRAY	8 POS. 8 CONT.	OVERALL: Ni 1.27 µm MIN. ALL OVER THE CONTACTS SOLDER ZONE: Sn 2.5 µm MIN. ON THE SOLDER ZONE OF THE CONTACT MATING ZONE: PLATING CONFIRMS TO PRODUCT REQUIREMENTS AS PER SPECIFICATION 108-19064	HOUSING: PBT UL 94 V-0 BLACK CONTACTS: PHOSPHOR BRONZE SHIELD: BRASS PRE-PLATED (BRIGHT TIN)	2-5338556-1
PACKAGING	REMARKS	PLATING	MATERIAL	P/N

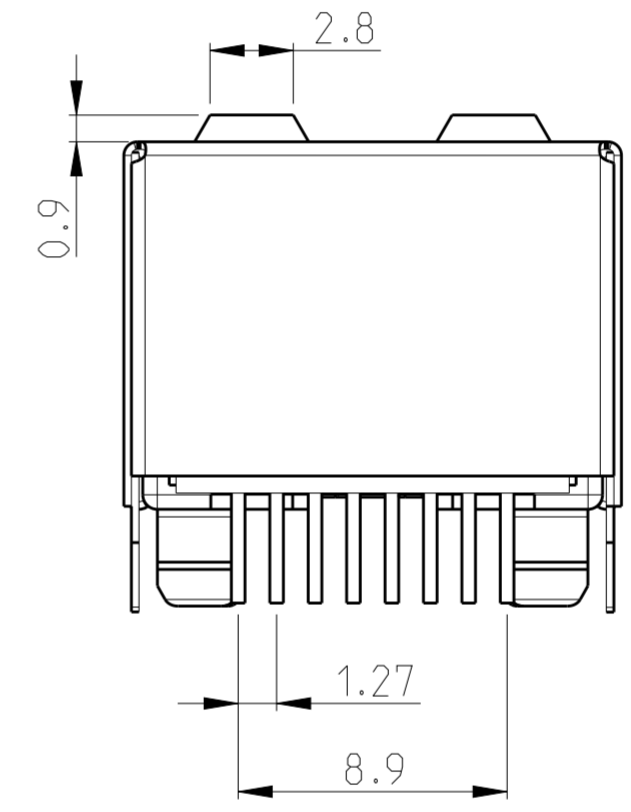
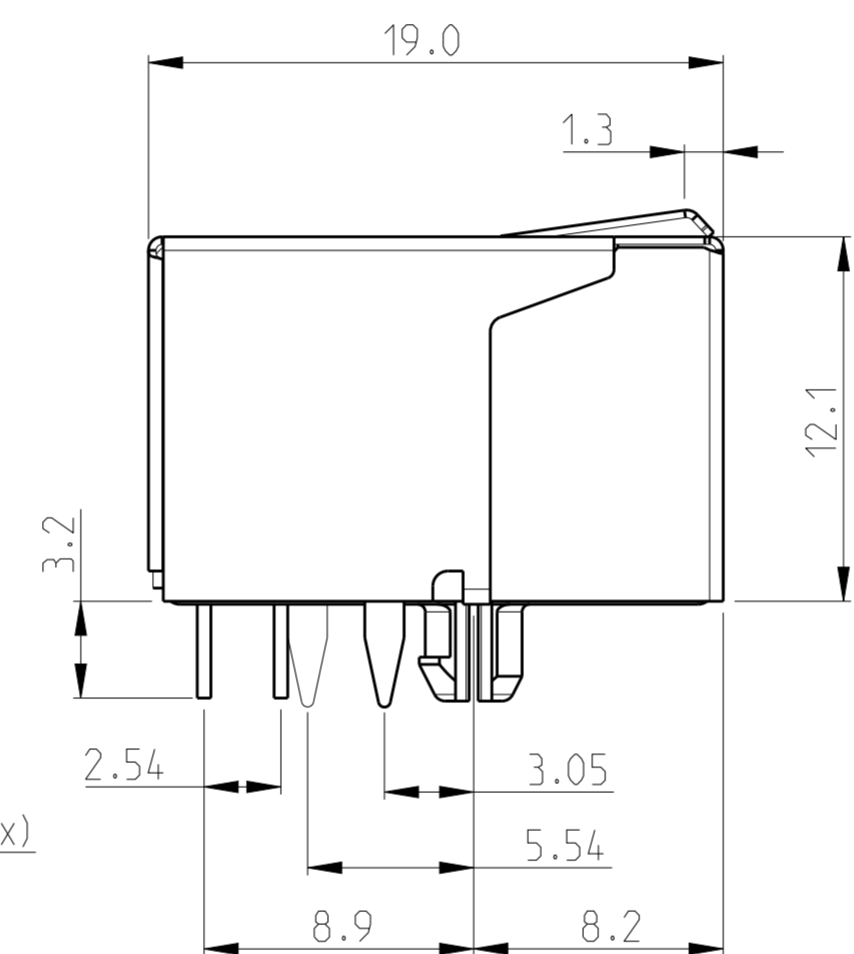
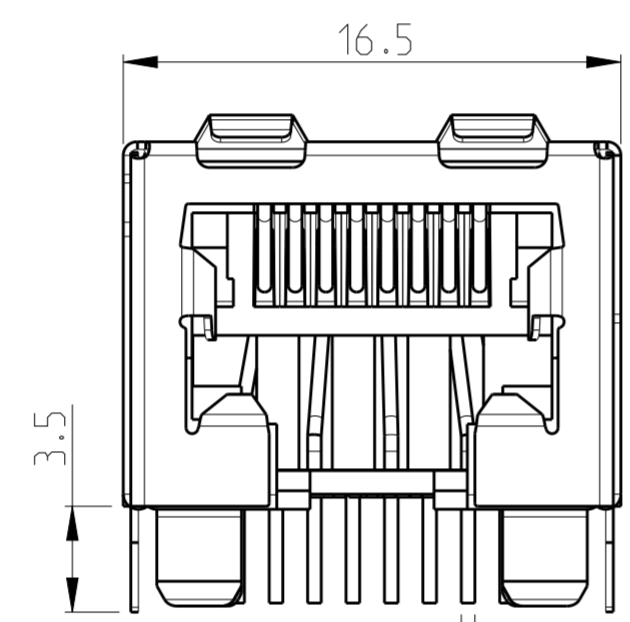
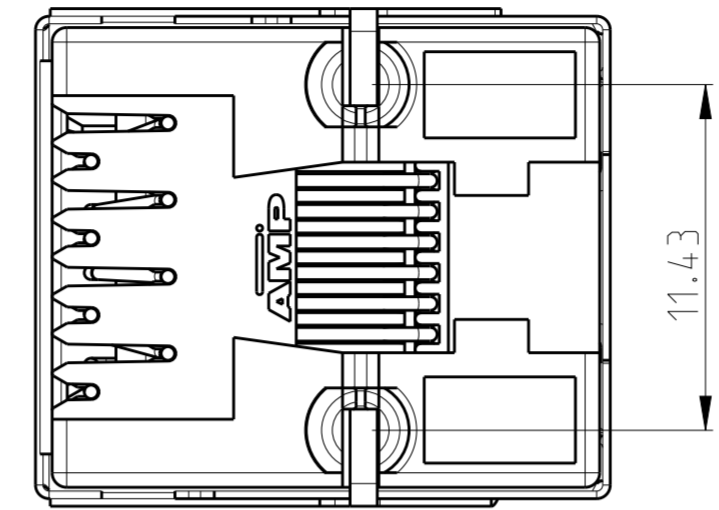
THIS DRAWING IS A CONTROLLED DOCUMENT.		DWN P. Willems 25-Feb-05	TE Connectivity	
		CHK P. Groels 25-Feb-05		
		APVD J. Broeksteeg 25-Feb-05	NAME 8 pos. Modular Jack Side Entry fully shielded with insulation plate	
DIMENSIONS: mm		PRODUCT SPEC 108-19064		
TOLERANCES UNLESS OTHERWISE SPECIFIED:		APPLICATION SPEC 114-19019		
0 PLC ±0.15		WEIGHT -	SIZE A2	
1 PLC ±0.15		CAGE CODE 00779		
2 PLC ±0.15		DRAWING NO 5338556		
3 PLC ±0.15		RESTRICTED TO -		
4 PLC ±0.15		SCALE 4:1		
ANGLES FINISH ±0.30°		SHEET 1 OF 2		
MATERIAL -		REV C1		
		CUSTOMER DRAWING		

THIS DRAWING IS UNPUBLISHED. RELEASED FOR PUBLICATION 2000
 © COPYRIGHT 2000 TE CONNECTIVITY ALL RIGHTS RESERVED.

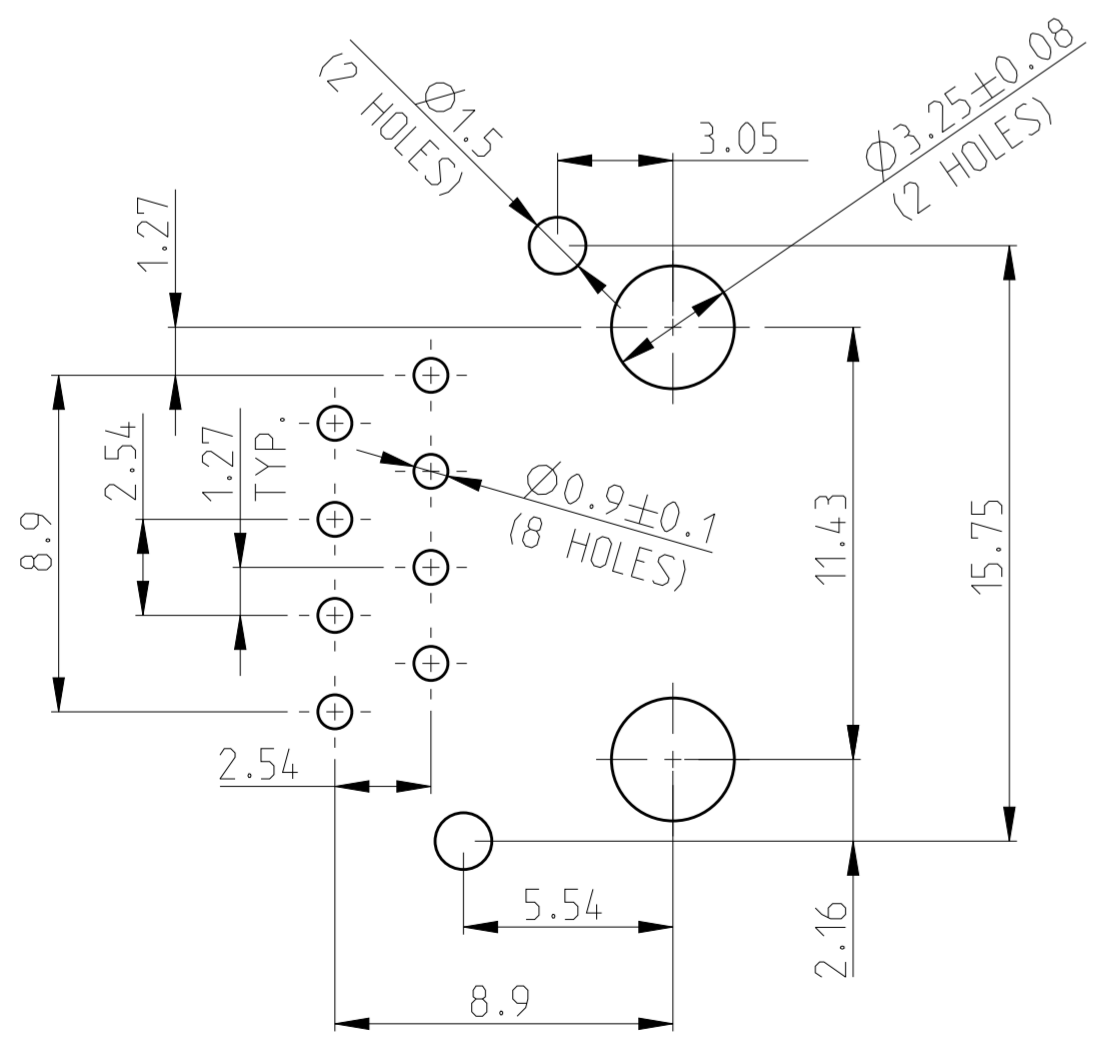
LOC		DIST		REVISIONS			
P	LTR	DESCRIPTION	DATE	DWN	APVD		
-	-	SEE SHEET 1	-	-	-		



PANEL CUT-OUT DIMENSIONS

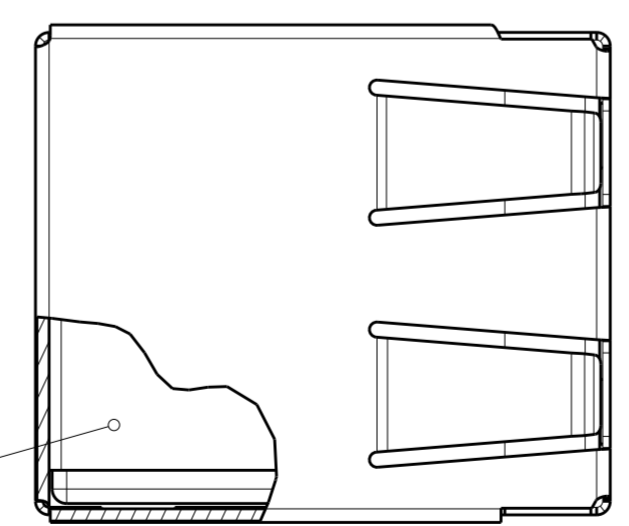


Ø0.45 REF (8x)



PRINTED CIRCUIT BOARD LAYOUT.

(VIEW SHOWN IS CIRCUIT (NONCOMPONENT) SIDE OF BOARD.)
 PRINTED CIRCUIT BOARD THICKNESS: 1.6 mm NOMINAL.
 TOLERANCE UNLESS OTHERWISE SPECIFIED: ± 0.15 mm.



INSULATION PLATE

PACKAGING	REMARKS	DESCRIPTION	MATERIAL	P/N
PACKAGED 190 PIECES IN A TRAY	8 POS. 8 CONT.	OVERALL: Ni 1.27 µm MIN. ALL OVER THE CONTACTS SOLDER ZONE: Sn 2.5 µm MIN. ON THE SOLDER ZONE OF THE CONTACT MATING ZONE: PLATING CONFIRMS TO PRODUCT REQUIREMENTS AS PER SPECIFICATION 108-19064	HOUSING: PBT UL 94V-0 BLACK CONTACTS: PHOSPHOR BRONZE SHIELD: BRASS PRE-PLATED BRIGHT TIN	3-5338556-1
THIS DRAWING IS A CONTROLLED DOCUMENT.		DWN P.Willems 25-Feb-05 CHK P.Groels 25-Feb-05 APVD J.Broeksteeg 25-Feb-05	TE Connectivity NAME 8 pos. Modular Jack Side Entry fully shielded with insulation plate	
DIMENSIONS: mm	TOLERANCES UNLESS OTHERWISE SPECIFIED:	PRODUCT SPEC 108-19064 APPLICATION SPEC 114-19019		
MATERIAL	FINISH	WEIGHT	SIZE A2	CAGE CODE 00779
CUSTOMER DRAWING		SCALE 4:1	SHEET 2	OF 2

Mouser Electronics

Authorized Distributor

Click to View Pricing, Inventory, Delivery & Lifecycle Information:

[TE Connectivity:](#)

[2-5338556-1](#)