

NOTES

- MATERIAL:
HSG: NYLON, GLASS-FILLED, UL94V-0 COLOR: BLACK
PIN: 0.64MM SQ, COPPER ALLOY
- PLATING TYPE:
(1) GOLD FLASH OVER
1.25µm MIN. NICKEL OVERALL.
(2) GOLD FLASH ON CONTACT AND
2.50µm MIN. TIN ON SOLDER TAIL OVER
1.25µm MIN. NICKEL OVERALL.
(3) 0.38µm MIN. GOLD PLATE ON CONTACT AND
2.00µm MIN. TIN ON SOLDER TAIL OVER
1.25µm MIN. NICKEL OVERALL.
(4) 0.75µm MIN. GOLD PLATE ON CONTACT AND
2.00µm MIN. TIN ON SOLDER TAIL OVER
1.25µm MIN. NICKEL OVERALL.
(5) 2.50µm MIN TIN OVERALL
1.25µm MIN NICKEL OVERALL
- PRODUCT SPECIFICATION: PS-87920-019
- PACKAGING TYPE: SEE TABLE
- WAFER TO BE FLAT WITHIN 0.003 mm/mm
- RECOMMENDED PCB THICKNESS IS 1.60mm±0.10
- IRREGULAR CIRCUIT CUTOFF WITHIN BREAKAWAY SECTION IS PERMISSIBLE. CUTTING OR CHIPPING OF THE MAIN BODY IS NOT ACCEPTABLE
- THE ABOVE CKT 6 IS FOR ILLUSTRATION PURPOSE ONLY
- PACKAGING SPECIFICATION:
TRAY: PK-89990-489
BULK: PK-89990-491
T&R : PK-87898-400
TUBE: PK-89990-934
- REFER SHEET 2 FOR CAP LOCATION.

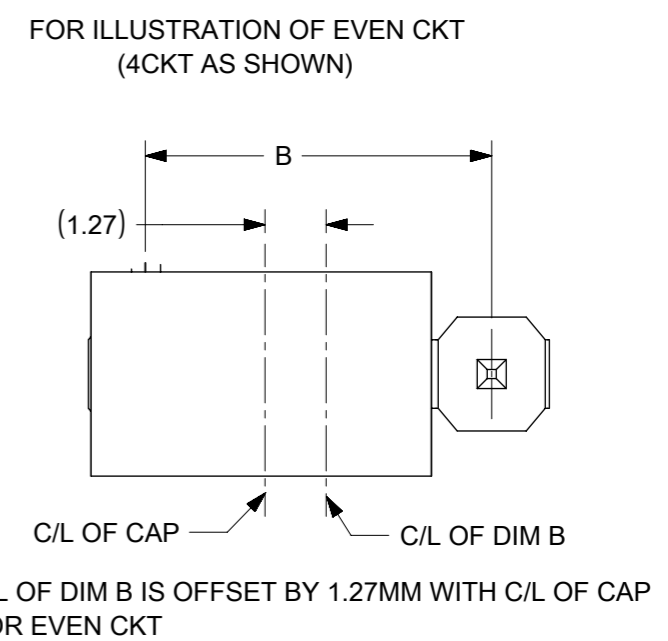
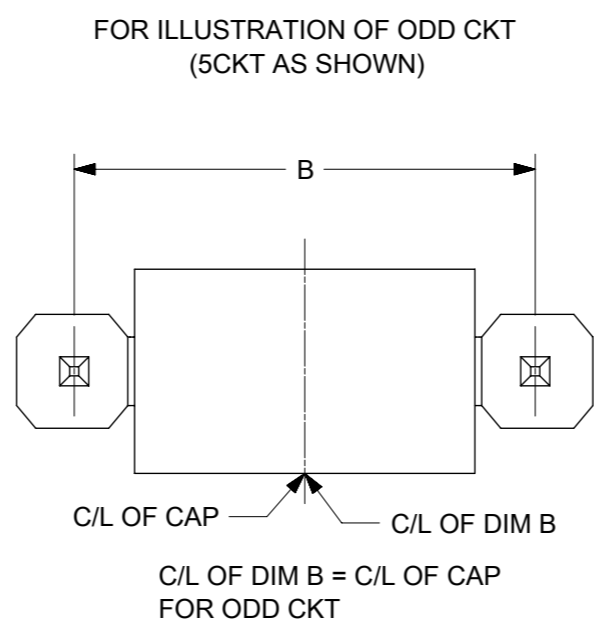
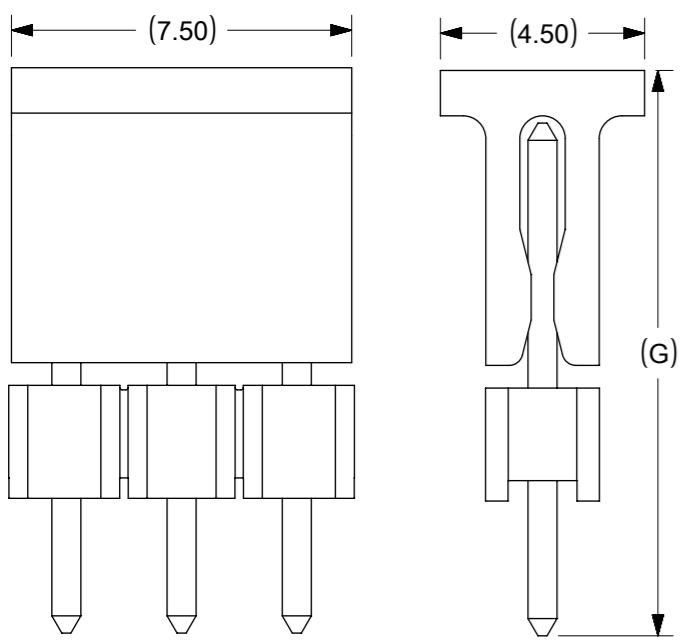
THIS DRAWING CONTAINS INFORMATION THAT IS PROPRIETARY TO MOLEX ELECTRONIC TECHNOLOGIES, LLC AND SHOULD NOT BE USED WITHOUT WRITTEN PERMISSION

| | | | | | | | | | |
|--|------------|--|-----------------|--|------------------------|---|---------|-------|------------|
| 87891-0312 (RPN)/ADD EC NO: 614341 DRWN: GJEEVANSURES CHK'D: SCS02 REV APPR: ISHWARG | 2019/02/22 | GENERAL TOLERANCES (UNLESS SPECIFIED) | DIMENSION UNITS | | SCALE | molex CUSTOM HEADER 2.54MM PITCH, SINGLE ROW SINGLE WAFER, T/H HEADER PRODUCT CUSTOMER DRAWING | | | |
| | 2019/03/25 | | MM | INCH | MM | | NTS | | |
| | 2019/03/25 | | 4 PLACES ± | ± | DRWN BY | | DATE | KCHO | 2004/03/24 |
| | | | 3 PLACES ± | ± | CHK'D BY | | DATE | PTLIM | 2004/04/02 |
| | | | 2 PLACES ± | 0.2 | ± | | APPR BY | DATE | SCLOW |
| | 1 PLACES ± | ± | ± | DRAWING SIZE | THIRD ANGLE PROJECTION | A3 | | | |
| | 0 PLACES ± | ± | ± | ANGULAR TOL = 3.0 | | | | | |
| | | | | DRAFT WHERE APPLICABLE MUST REMAIN WITHIN DIMENSIONS | | | | | |
| D10 | REV | | | | | | | | |

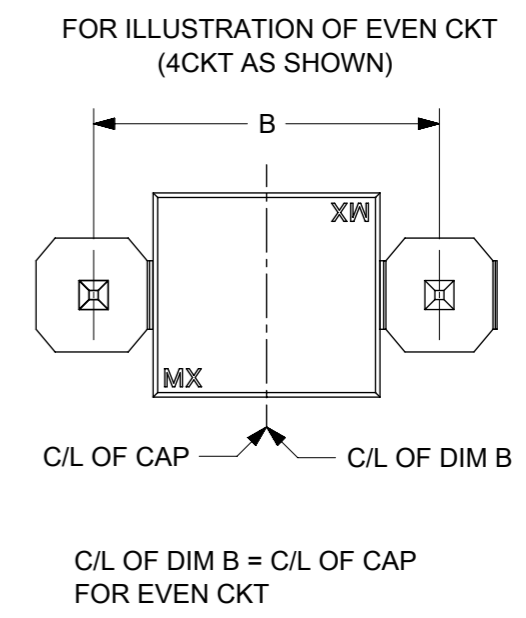
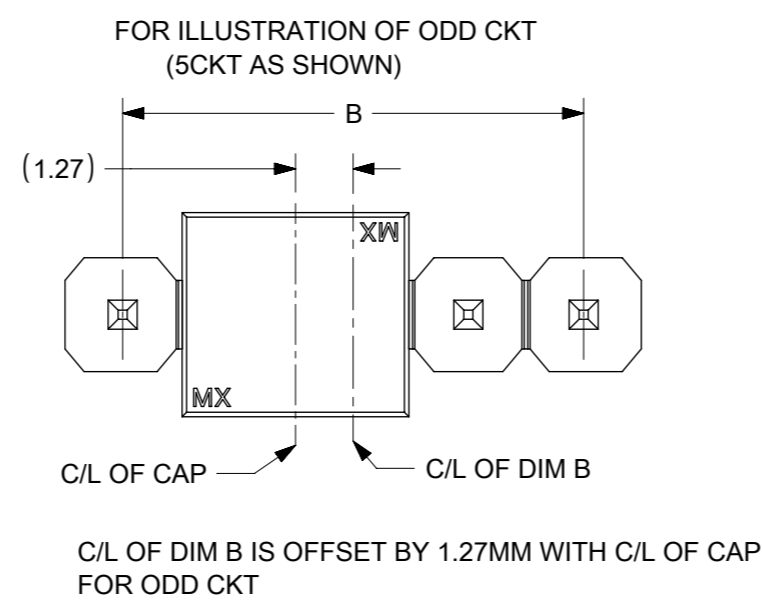
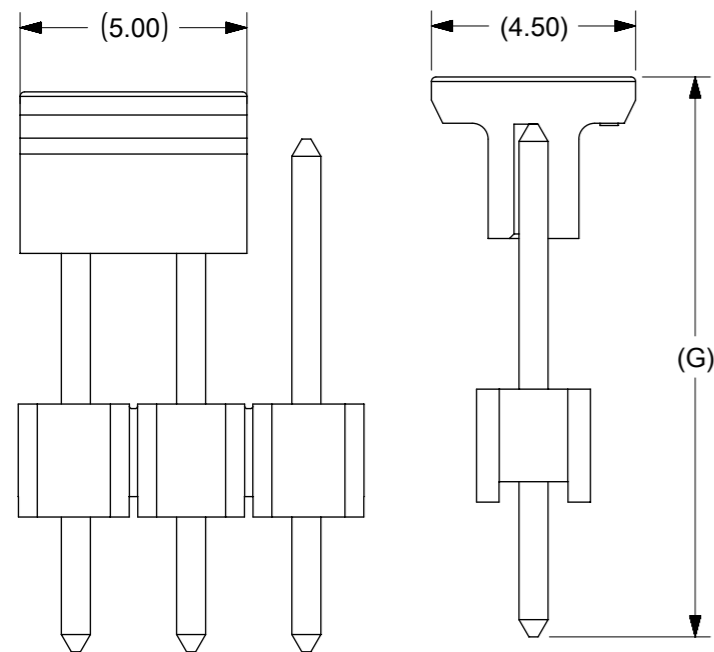
| | | | |
|-----------------|-----------------|----------------|--------------|
| SERIES | MATERIAL NUMBER | CUSTOMER | |
| 87891 | SEE TABLE | GENERAL MARKET | |
| DOCUMENT NUMBER | DOC TYPE | DOC PART | SHEET NUMBER |
| SD-87891-001 | PSD | 000 | 1 OF 4 |

| | |
|----------------|--------------|
| RELEASE STATUS | RELEASE DATE |
|----------------|--------------|

CAP INFORMATION- CAP OPTION A



CAP INFORMATION- CAP OPTION B



THIS DRAWING CONTAINS INFORMATION THAT IS PROPRIETARY TO MOLEX ELECTRONIC TECHNOLOGIES, LLC AND SHOULD NOT BE USED WITHOUT WRITTEN PERMISSION

| | | | | | |
|--|---------------------------------------|-------|--|------------------------|--------------------------|
| 87891-0312 (RPN)/ADD EC NO: 614341 DRWN: GJEEVANSURES CHK'D: SCS02 REV APPR: ISHWARG | GENERAL TOLERANCES (UNLESS SPECIFIED) | | DIMENSION UNITS | SCALE | |
| | | | MM | NTS | |
| | 4 PLACES | ± | MM | DATE | |
| | 3 PLACES | ± | INCH | 2004/03/24 | |
| | 2 PLACES | ± 0.2 | | DATE | |
| | | | DRWN BY | DATE | CUSTOMER DRAWING |
| 1 PLACES | ± | | KCHO | 2004/03/24 | |
| 0 PLACES | ± | | CHK'D BY | DATE | PRODUCT CUSTOMER DRAWING |
| | | | PTLIM | 2004/04/02 | |
| | | | APPR BY | DATE | SERIES |
| | | | SCLOW | 2004/04/08 | |
| | | | DRAWING SIZE | THIRD ANGLE PROJECTION | MATERIAL NUMBER |
| | | | A3 | | |
| | | | DRAFT WHERE APPLICABLE MUST REMAIN WITHIN DIMENSIONS | | CUSTOMER |
| | | | | | |
| | | | | | DOCUMENT NUMBER |
| | | | | | |
| | | | | | DOC TYPE |
| | | | | | |
| | | | | | DOC PART |
| | | | | | |
| | | | | | SHEET NUMBER |
| | | | | | |

| | |
|----------------|--------------|
| RELEASE STATUS | RELEASE DATE |
|----------------|--------------|

| CKT SIZE | DIMENSION | | ASSY W/CAP IN T&R | ASSY W/O CAP IN T&R | ASSY W/O CAP IN TUBE | ASSY W/CAP IN TUBE | PART NO. W/O CAP IN TRAY PACKAGING | PART NO. IN BULK PACKAGING | CKT SIZE | VOID PIN | KINK PIN | (G) | DIMENSION | | | PLATING TYPE | CAP OPTION | REMARKS |
|----------|-----------|-------|-------------------|---------------------|----------------------|--------------------|------------------------------------|----------------------------|----------|----------|----------|-------|-----------|------------|--------------|--------------|------------|---------------------------------------|
| | A | B | | | | | | | | | | | OAL | MATING END | SOLDIER TAIL | | | |
| | (F) | M | | | | | | | | | | | | | | | | |
| 02 | 5.08 | 2.54 | - | - | - | - | 87891-0108 | - | 01 | - | - | - | 10.80 | 5.08 | 3.23 | 5 | - | - |
| 03 | 7.62 | 5.08 | - | - | - | - | 87891-1017 | - | 01 | - | - | - | 12.29 | 6.80 | 3.00 | 3 | - | - |
| 04 | 10.16 | 7.62 | - | - | - | - | 87891-0209 | - | 02 | - | - | - | 10.80 | 5.08 | 3.23 | 5 | - | - |
| 05 | 12.70 | 10.16 | - | - | - | - | 87891-0210 | - | 02 | - | - | - | 31.00 | 25.54 | 2.97 | 5 | - | - |
| 06 | 15.24 | 12.70 | - | - | - | - | 87891-0216 | - | 02 | - | - | - | 7.29 | 2.40 | 2.40 | 5 | - | - |
| 07 | 17.78 | 15.24 | - | - | - | - | 87891-0212 | - | 02 | - | - | - | 18.37 | 12.68 | 3.20 | 5 | - | - |
| 08 | 20.32 | 17.78 | - | - | - | - | 87891-0211 | - | 02 | - | - | - | 26.49 | 20.80 | 3.20 | 5 | - | - |
| 09 | 22.86 | 20.32 | - | - | - | - | 87891-0214 | - | 02 | - | - | - | 19.49 | 13.00 | 4.00 | 5 | - | - |
| 10 | 25.40 | 22.86 | - | - | - | - | 87891-0215 | - | 02 | - | - | 14.98 | 13.98 | 7.49 | 4.00 | 5 | A | - |
| 11 | 27.94 | 25.40 | - | - | - | - | 87891-0213 | - | 02 | - | - | - | 12.14 | 5.84 | 3.81 | 4 | - | - |
| 12 | 30.48 | 27.94 | - | - | - | - | 87891-0307 | - | 03 | - | - | - | 22.73 | 18.74 | 1.50 | 5 | - | - |
| 13 | 33.02 | 30.48 | - | - | - | - | 87891-0003 | - | 03 | 2 | - | - | 13.72 | 9.65 | 1.78 | 6 | - | - |
| 14 | 35.56 | 33.02 | 87891-0311 | - | - | - | - | - | 03 | - | - | 12.34 | 11.30 | 5.84 | 2.97 | 5 | B | REFER RPK-87891-0311 (FOR 87891-0311) |
| 15 | 38.10 | 35.56 | - | 87891-0312 | - | - | - | - | 03 | - | - | - | 11.30 | 5.84 | 2.97 | 4 | - | REFER RPK-87891-0312 (FOR 87891-0312) |
| 16 | 40.64 | 38.10 | - | - | - | - | - | 87891-0310 | 03 | - | - | - | 6.49 | 2.00 | 2.00 | 5 | - | - |
| 17 | 43.18 | 40.64 | - | - | - | - | 87891-0402 | - | 04 | 2 | - | - | 10.80 | 5.89 | 2.41 | 5 | - | - |
| 18 | 45.72 | 43.18 | - | - | - | - | 87891-0004 | - | 04 | - | - | - | 35.10 | 29.71 | 3.10 | 6 | - | - |
| 19 | 48.26 | 45.72 | - | - | - | - | 87891-0408 | - | 04 | - | - | - | 31.00 | 25.54 | 2.97 | 5 | - | - |
| 20 | 50.80 | 48.26 | - | - | - | - | 87891-0409 | - | 04 | - | - | - | 12.14 | 6.75 | 2.90 | 5 | - | - |
| 21 | 53.34 | 50.80 | 87891-0417 | - | - | - | - | - | 04 | - | - | 16.31 | 15.11 | 9.01 | 3.61 | 5 | A | - |
| 22 | 55.88 | 53.34 | - | - | - | - | 87891-0432 | - | 04 | - | - | - | 18.03 | 13.54 | 2.00 | 5 | - | - |
| 23 | 58.42 | 55.88 | - | - | - | 87891-0430 | - | - | 04 | - | - | - | 13.09 | 8.00 | 2.80 | 5 | A | - |
| 24 | 60.96 | 58.42 | - | - | - | - | 87891-0501 | - | 05 | - | - | - | 13.62 | 8.08 | 3.05 | 5 | - | - |
| 25 | 63.50 | 60.96 | - | - | - | - | 87891-0502 | - | 05 | 2 | - | - | 10.80 | 5.89 | 2.41 | 5 | - | - |
| 26 | 66.04 | 63.50 | - | - | - | - | 87891-0503 | - | 05 | 2 | - | - | 45.00 | 13.51 | 29.00 | 5 | - | - |
| 27 | 68.58 | 66.04 | - | - | - | - | 87891-0504 | - | 05 | 2 | - | - | 45.00 | 13.51 | 29.00 | 3 | - | - |
| 28 | 71.12 | 68.58 | - | - | - | - | 87891-0507 | - | 05 | 4 | - | - | 10.92 | 5.84 | 2.59 | 3 | - | - |
| 29 | 73.66 | 71.12 | - | - | - | - | - | 87891-0508 | 05 | 2,4 | - | - | 11.38 | 5.84 | 3.05 | 5 | - | - |
| 30 | 76.20 | 73.66 | - | - | - | - | 87891-0522 | - | 05 | 2&4 | - | - | 19.49 | 13.00 | 4.00 | 5 | - | - |
| 31 | 78.74 | 76.20 | - | - | - | - | 87891-0517 | - | 05 | - | - | - | 23.62 | 17.32 | 3.81 | 5 | - | - |
| 32 | 81.28 | 78.74 | - | - | - | - | 87891-0523 | - | 05 | - | - | - | 7.29 | 2.40 | 2.40 | 5 | - | - |
| 33 | 83.82 | 81.28 | - | 87891-0521 | - | - | - | - | 05 | - | - | 10.10 | 9.89 | 2.80 | 4.60 | 5 | A | - |
| 34 | 86.36 | 83.82 | - | - | - | - | 87891-0607 | - | 06 | - | - | - | 13.75 | 8.08 | 3.18 | 5 | - | - |
| 35 | 88.90 | 86.36 | - | - | - | - | 87891-0608 | - | 06 | - | - | - | 18.03 | 13.54 | 2.00 | 5 | - | - |
| 36 | 91.44 | 88.90 | - | - | - | - | 87891-0609 | - | 06 | - | - | - | 28.30 | 22.16 | 3.65 | 5 | - | - |
| 37 | 93.98 | 91.44 | - | - | - | - | - | - | - | - | - | - | - | - | - | - | - | - |
| 38 | 96.52 | 93.98 | - | - | - | - | - | - | - | - | - | - | - | - | - | - | - | - |
| 39 | 99.06 | 96.52 | - | - | - | - | - | - | - | - | - | - | - | - | - | - | - | - |
| 40 | 101.60 | 99.06 | - | - | - | - | - | - | - | - | - | - | - | - | - | - | - | - |

THIS DRAWING CONTAINS INFORMATION THAT IS PROPRIETARY TO MOLEX ELECTRONIC TECHNOLOGIES, LLC AND SHOULD NOT BE USED WITHOUT WRITTEN PERMISSION

| | | | | | | |
|---|---------------------------------------|-------|-----------------|------------------------|------------|-----|
| 87891-0312 (RPN)ADD EC NO: 614341 DRWN: GJEEVANSURES CHK'D: SCS02 REV APPR: ISHWARG | GENERAL TOLERANCES (UNLESS SPECIFIED) | | DIMENSION UNITS | | SCALE | |
| | | | MM | INCH | MM | NTS |
| | 4 PLACES | ± | ± | DRWN BY | DATE | |
| | 3 PLACES | ± | ± | KCHO | 2004/03/24 | |
| | 2 PLACES | ± 0.2 | ± | CHK'D BY | DATE | |
| 1 PLACES | ± | ± | PTLIM | 2004/04/02 | | |
| 0 PLACES | ± | ± | APPR BY | DATE | | |
| | | | SCLOW | 2004/04/08 | | |
| ANGULAR TOL = 3.0 | | | DRAWING SIZE | THIRD ANGLE PROJECTION | | |
| DRAFT WHERE APPLICABLE MUST REMAIN WITHIN DIMENSIONS | | | A3 | | | |

CUSTOM HEADER
2.54MM PITCH, SINGLE ROW SINGLE WAFER, T/H HEADER

PRODUCT CUSTOMER DRAWING

| | | |
|-----------------|-----------------|----------------|
| SERIES | MATERIAL NUMBER | CUSTOMER |
| 87891 | SEE TABLE | GENERAL MARKET |
| DOCUMENT NUMBER | DOC TYPE | DOC PART |
| SD-87891-001 | PSD | 000 |
| SHEET NUMBER | | |
| 3 OF 4 | | |

| ASSY WITHOUT CAP IN TUBE | ASSY WITHOUT W/CAP IN TUBE | ASSY W/CAP IN T&R | PART NO. IN TRAY PACKAGING | PART NO. IN BULK PACKAGING | CKT SIZE | VOID PIN | KINK PIN | (G) | DIMENSION | | | PLATING TYPE | CAP OPTION |
|--------------------------|----------------------------|-------------------|----------------------------|----------------------------|----------|----------|----------|-------|-----------|------------|--------------|--------------|------------|
| | | | | | | | | | OAL | MATING END | SOLDIER TAIL | | |
| | | | | | | | | | (F) | M | P | | |
| - | - | - | 87891-0602 | - | 06 | - | - | - | 12.80 | 8.00 | 2.31 | 5 | - |
| - | - | 87891-0613 | - | - | 06 | - | - | 22.99 | 21.99 | 16.00 | 3.50 | 5 | A |
| - | - | - | 87891-0615 | - | 06 | - | - | - | 14.49 | 10.00 | 2.00 | 1 | - |
| - | - | - | 87891-0751 | - | 07 | - | - | - | 13.74 | 8.00 | 3.25 | 5 | - |
| - | - | 87891-0007 | - | - | 07 | - | - | - | 13.72 | 9.65 | 1.78 | 6 | - |
| - | - | - | 87891-0851 | - | 08 | - | - | - | 13.74 | 8.00 | 3.25 | 5 | - |
| - | - | 87891-0807 | - | - | 08 | - | - | 13.59 | 12.59 | 7.90 | 2.20 | 5 | A |
| - | - | - | - | 87891-2601 | 26 | 4,7,17 | - | - | 11.13 | 5.59 | 3.05 | 3 | - |
| - | - | 87891-1817 | - | - | 18 | - | - | 18.36 | 17.20 | 13.21 | 1.50 | 5 | A |
| - | - | 87891-1818 | - | - | 18 | - | - | 18.36 | 17.20 | 13.21 | 1.50 | 3 | A |
| - | - | - | 87891-2007 | - | 20 | - | - | - | 21.49 | 9.50 | 9.50 | 1 | - |
| - | - | 87891-2817 | - | - | 28 | - | - | 18.36 | 17.20 | 13.21 | 1.50 | 5 | A |
| - | - | 87891-2818 | - | - | 28 | - | - | 18.36 | 17.20 | 13.21 | 1.50 | 3 | A |
| - | - | - | - | 87891-3600 | 36 | - | - | - | 11.56 | 6.09 | 3.18 | 2 | - |
| 87891-4007 | - | - | - | - | 40 | - | - | - | 12.14 | 5.84 | 3.81 | 3 | - |

THIS DRAWING CONTAINS INFORMATION THAT IS PROPRIETARY TO MOLEX ELECTRONIC TECHNOLOGIES, LLC AND SHOULD NOT BE USED WITHOUT WRITTEN PERMISSION

| | | | | | | | | | |
|---|---|-------|-----------------|--------------|------------------------|--------------|---|-----------------|----------------|
| 87891-0312 (RPN)ADD EC NO: 614341 DRWN: GJEEVANSURES CHK'D: SCS02 REV APPR: ISHWARG | GENERAL TOLERANCES (UNLESS SPECIFIED) | | DIMENSION UNITS | | SCALE | | molex® | | |
| | | | MM | INCH | MM | NTS | | | |
| | 4 PLACES | ± | ± | DRWN BY | DATE | | CUSTOM HEADER 2.54MM PITCH, SINGLE ROW SINGLE WAFER, T/H HEADER | | |
| | 3 PLACES | ± | ± | KCHO | 2004/03/24 | | | | |
| | 2 PLACES | ± 0.2 | ± | CHK'D BY | DATE | | | | |
| | 1 PLACES | ± | ± | PTLIM | 2004/04/02 | | PRODUCT CUSTOMER DRAWING | | |
| | 0 PLACES | ± | ± | APPR BY | DATE | | | | |
| | ANGULAR TOL = 3.0 | | | SCLOW | 2004/04/08 | | SERIES | MATERIAL NUMBER | CUSTOMER |
| | DRAFT WHERE APPLICABLE MUST REMAIN WITHIN DIMENSIONS | | | DRAWING SIZE | THIRD ANGLE PROJECTION | | 87891 | SEE TABLE | GENERAL MARKET |
| | | | | A3 | | | DOCUMENT NUMBER | DOC TYPE | DOC PART |
| | | | D10 | | | SD-87891-001 | PSD | 000 | 4 OF 4 |

| | |
|----------------|--------------|
| RELEASE STATUS | RELEASE DATE |
|----------------|--------------|