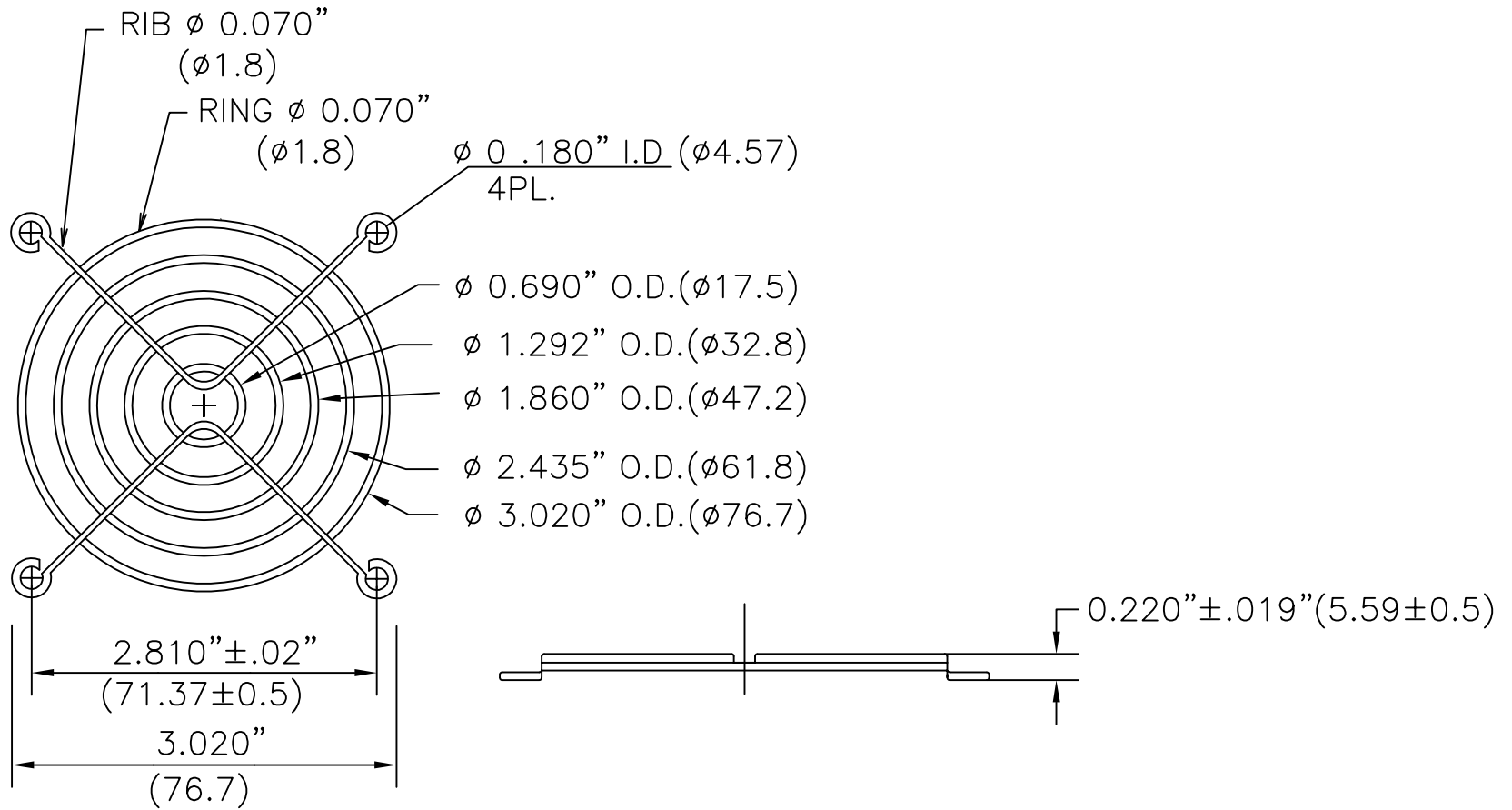


| ITEM | PART NO. | DESCRIPTION | Q'TY | REV | DATE | DESCRIPTION | APPROVAL | REF. |
|------|----------|--------------------------|------|-----|----------|------------------|-----------|------|
| 1 | KM80 | 80MM WIRE FORM FAN GUARD | | 0 | 08-27-04 | ORIGINAL RELEASE | <i>JF</i> | |
| 2 | | | | | | | | |
| 3 | | | | | | | | |
| 4 | | | | | | | | |
| 5 | | | | | | | | |



NOTES:

1. MATERIAL: SAE C1008 (OR EQUIVALENT) BRIGHT BASIC WIRE.
2. FINISH: BRIGHT NICKEL CHROME PLATING.
3. WELD JOINTS TO WITHSTAND 70LBS PULL FORCE.

| | | | | |
|--|---|---------|---------------------------------|------------------------|
| UNLESS NOTED: TOLERANCES SHALL BE X = \pm .300 .XX = \pm .150 .XXX = \pm .075 ANGULAR = \pm .2' | REMARKS | | SHOWN Q'TY | OPPOSITE Q'TY |
| | THIRD ANGLE | SCALE | MATERIAL | APPROVED BY: <i>JF</i> |
| THIS DRAWING IS THE PROPERTY OF SANYO DENKI AMERICA, INC. AND SHALL BE DEEMED AS PROPRIETARY INFORMATION. USE OF ANY INFORMATION CONTAINED HEREIN SHALL BE PROHIBITED WITHOUT WRITTEN PERMISSION OF SANYO AMERICA, INC. | METRIC | | DATE: 08-27-04 | DATE: 08-27-04 |
| | MODEL | | NAME | |
| | SANYO DENKI AMERICA, INC. <small>TORRANCE, CALIFORNIA, U.S.A.</small> | | 80MM WIRE FORM FAN FINGER GUARD | |
| | DRAWING NO. | REVISED | | |
| | KM80 | 0 | | |

Mouser Electronics

Authorized Distributor

Click to View Pricing, Inventory, Delivery & Lifecycle Information:

[Sanyo Denki:](#)

[KM80](#)