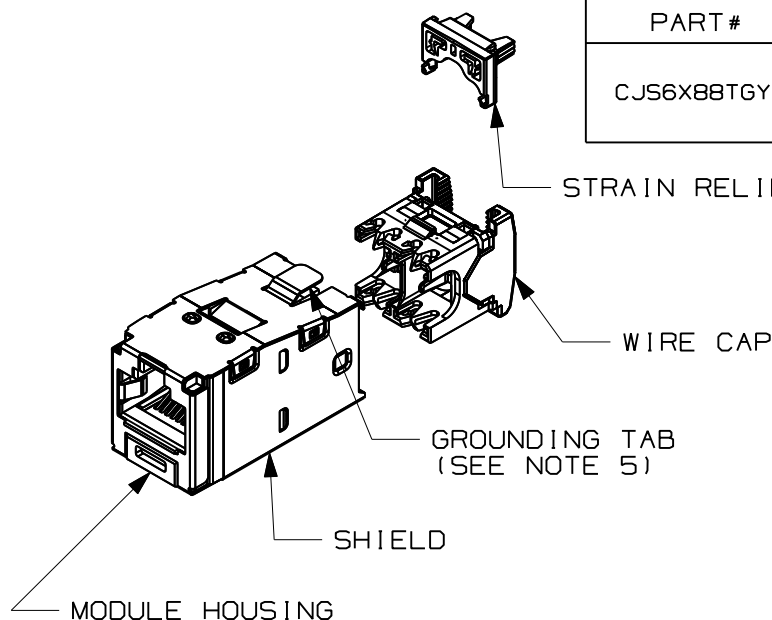


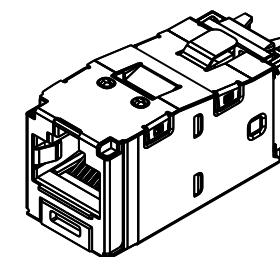
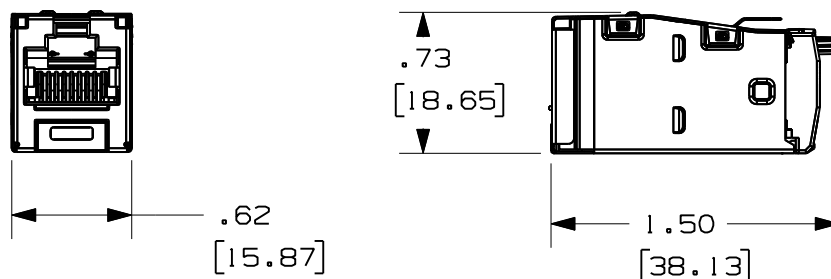
THIS COPY IS PROVIDED ON A RESTRICTED BASIS AND IS NOT TO BE USED IN ANY WAY DETRIMENTAL TO THE INTERESTS OF PANDUIT CORP.

PART#	DESCRIPTION	WEIGHT*
CJS6X88TGY	8 POSITION, 8 WIRE SHIELDED MODULE WITH INTEGRAL SHIELD. TERMINATION CAP IS COLOR CODED FOR T568A AND T568B WIRING SCHEMES.	3.314 LB/100 PCS (1503g/100 PCS)



\*WEIGHT IS APPROXIMATE

- NOTES:
1. BLUE TERMINATION CAP DESIGNATES CATEGORY 6A PERFORMANCE.
  2. MATERIAL:  
MODULE HOUSING- ABS  
SHIELD - TIN PLATED PHOS. BRONZE.  
WIRE CAP-PC
  3. ALL CATEGORY 6A, 8 POSITION, 8 WIRE JACK MODULES ARE UNIVERSAL IN DESIGN. THEY ACCEPT SIX AND EIGHT POSITION MODULAR PLUGS WITHOUT DAMAGE.
  4. DIMENSIONS IN PARENTHESES ARE IN METRIC.
  5. .187 x .010" GROUNDING TAB PROVIDED AS OPTIONAL CONDUCTIVE PATH FOR GROUNDING.



ACTUAL SIZE

MODEL FILENAME	MO1874AI_10GTX_SHLD_ASSY_03	SIZE	A
DRAWING FILENAME	MO2479NU_DC359/03B		
TITLE	TX6A 10GIG SHIELDED JACK MODULE CUSTOMER DRAWING		
	PANDUIT <sup>TM</sup> CORP. TINLEY PARK, ILL 60477	I.T. NUMBER	
		PRODUCT SPEC	
	THIRD ANGLE PROJECTION	WORK INSTRUCTION	
	ALL DIMENSIONS ARE GIVEN IN INCHES, UNLESS OTHERWISE SPECIFIED.	SCALE	FULL
	DIMENSIONAL TOLERANCES ARE: (.X) ± (.XXX) ± .010(.3) (.XX) ± .03(.8) ANGLES ±	PART NO.	CJS6X88TGY
DRAWN BY	AFW	REVIEW DRAWING NUMBERS	
DATE	3-11-06		
CHK'D		DRAWING NO.	02479-359

REV	DATE	BY	CHK	DESCRIPTION	ECN	R	CUST	SUP	OTH
2	11-26-08	BJN		B. NOTES 1 & 3 NOW CATEGORY 6A A. WAS TX6 10GIG SHIELDED JACK	02479-359				
1	11-07-06	MDJr	NGM	RELEASED TO PRODUCTION	02479-359	TRW	TRW		
R	3-11-06	AFW		ADDED Rohs COMPLIANT P/N.					

# Mouser Electronics

Authorized Distributor

Click to View Pricing, Inventory, Delivery & Lifecycle Information:

[Panduit:](#)

[CJS6X88TGY-24](#)