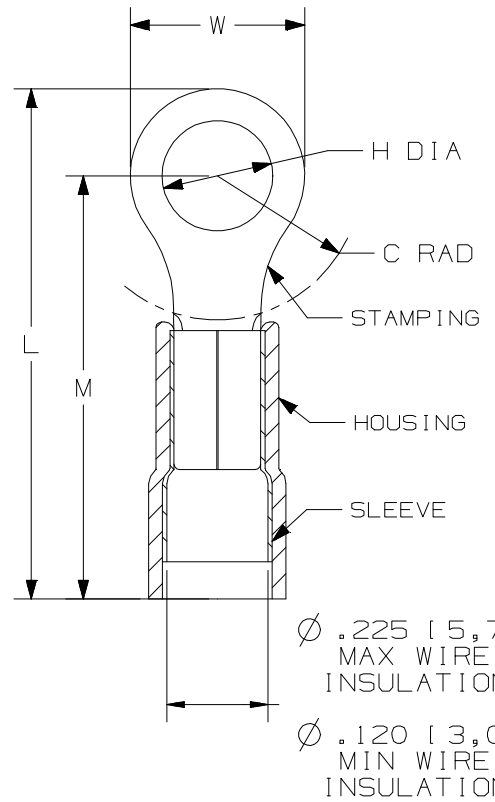


THIS COPY IS PROVIDED ON A RESTRICTED BASIS AND IS NOT TO BE USED IN ANY WAY DETRIMENTAL TO THE INTERESTS OF PANDUIT CORP.

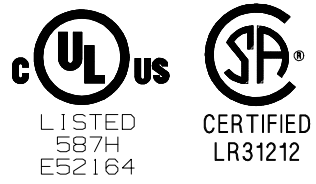
| PANDUIT PART # | MILITARY PART # AND CLASS | STUD SIZE | DIMENSIONS in. [mm] | | | | |
|----------------|---------------------------|-----------|---------------------|---------------|---------------|---------------|---------------|
| | | | L ± .04 [1,0] | W ± .01 [0,3] | C ± .02 [0,5] | M ± .04 [1,0] | H ± .01 [0,3] |
| PN10-6R | MS25036-111 CLASS 1 & 2 | #6 | 1.06 [26,9] | .37 [9,4] | .31 [7,9] | .88 [22,3] | .15 [3,8] |
| PN10-6RN | ----- | #6 | 1.04 [26,4] | .31 [7,9] | .31 [7,9] | .88 [22,3] | .15 [3,8] |
| PN10-8R | MS25036-156 CLASS 1 & 2 | #8 | 1.06 [26,9] | .37 [9,4] | .31 [7,9] | .88 [22,3] | .17 [4,3] |
| PN10-8RN | ----- | #8 | 1.04 [26,4] | .31 [7,9] | .31 [7,9] | .88 [22,3] | .17 [4,3] |
| PN10-10R | MS25036-112 CLASS 1 & 2 | #10 | 1.06 [26,9] | .38 [9,7] | .31 [7,9] | .88 [22,3] | .20 [5,1] |
| PN10-10RN | ----- | #10 | 1.04 [26,4] | .31 [7,9] | .31 [7,9] | .88 [22,3] | .20 [5,1] |
| PN10-14R | MS25036-157 CLASS 1 & 2 | 1/4" | 1.21 [30,7] | .52 [13,2] | .38 [9,7] | .95 [24,1] | .27 [6,9] |
| PN10-56R | MS25036-113 CLASS 1 & 2 | 5/16" | 1.21 [30,7] | .52 [13,2] | .38 [9,7] | .95 [24,1] | .33 [8,4] |
| PN10-38R | MS25036-114 CLASS 1 & 2 | 3/8" | 1.29 [32,8] | .58 [14,7] | .43 [10,9] | 1.00 [25,4] | .39 [9,9] |
| PN10-12R | ----- | 1/2" | 1.47 [37,3] | .72 [18,3] | .53 [13,5] | 1.11 [28,2] | .52 [13,2] |

UL & CSA TOOLS (DIES)
 CT-100A
 CT-600-A (CT-550CH)
 *CT-1550
 *CT-1551
 CT-2500 (CT-2550CH)
 * NOT UL/CSA WITH #10AWG SOLID COPPER WIRE

MILITARY CLASS 2 TOOL
 CT-460



- NOTES:
- UL LISTED AND CSA CERTIFIED FOR:
 - A. 600V. MAX. BLDG. WIRE (1000V. MAX. IN SIGNS, FIXTURES & LUMINARIES)
 - B. 221°F. (105°C) MAX. TEMP. RATING
 - C. #12-10 AWG STRANDED AND SOLID COPPER
 - MATERIAL:
 - A. STAMPING: .04" [1,02] THK. COPPER, TIN PLATED
 - B. HOUSING: NYLON, YELLOW
 - C. SLEEVE: BRASS, TIN PLATED
 - WIRE STRIP LENGTH: $9/32" \begin{matrix} +1/32 \\ -0 \end{matrix}$ [7,1 mm $\begin{matrix} +0,8 \\ -0 \end{matrix}$]
 - SEE www.PANDUIT.com FOR PACKAGE QUANTITIES
 - DIMENSIONS IN PARENTHESIS ARE IN MILLIMETERS



Panduit part numbers shown on this drawing meet the material requirements of RoHS (EUROPEAN DIRECTIVES 2002/95/EC) as proposed by the Technical Adaptation Committee

| | | | |
|---|----------------------|---|-------|
| TITLE | | #12-10 RING TERMINALS 3PC. NYLON INSULATED | |
| CONTROL DRAWING | | | |
| ITEM REVISION NAME | N41186BA/10 | | |
| DATASET FILE NAME | N41186BA/10 | | |
| UNLESS OTHERWISE SPECIFIED, DIMENSIONAL TOLERANCES ARE: IN [mm] | | MATERIAL: | |
| .x ± .1 [2,54] | .xxx ± .005 [.127] | SEE NOTES | |
| .xx ± .01 [.25] | ANGLES ± 5 ° | DRAWING NUMBER: | |
| THIRD ANGLE PROJECTION | | A41186 | |
| DRAWN BY | DATE | CHK | SCALE |
| FES | | LA | NONE |
| DESCRIPTION | | SIZE | |
| SHT 1 OF 1 | | A | |

| REV | DATE | BY | CHK | APR | DESCRIPTION | ECN |
|-----|-------|-----|-----|-----|--|---------|
| 10 | 1/16 | TMR | TMR | RGB | ADDED cUL, PN10-10RN, PN10-8RN, PN10-6RN, UPDATED PKG QTY NOTE 4, DIM L WAS A, DIM M WAS G, TOOL CHART | A41186 |
| 09 | 8/06 | DAW | DAW | LCA | ADDED METRIC PART NO. AND CLASS | TR00155 |
| 08 | 12/02 | SAC | SKB | LCA | MADE ALL METRIC DIMS. ONE PLACE | 10504 |
| 07 | 10/02 | SAC | SKB | LA | CHANGED DIM. M TO DIM. G, & DIM C. FOR PN10-12R WAS .56 | 10480 |
| 06 | 9/02 | SAC | SKB | LA | ADDED PN10-12R | 10453 |

B

B

A

A

D10100DA/16

Mouser Electronics

Authorized Distributor

Click to View Pricing, Inventory, Delivery & Lifecycle Information:

[Panduit:](#)

[PN10-56R-L](#) [PN10-12R-Q](#) [PN10-8RN-D](#)