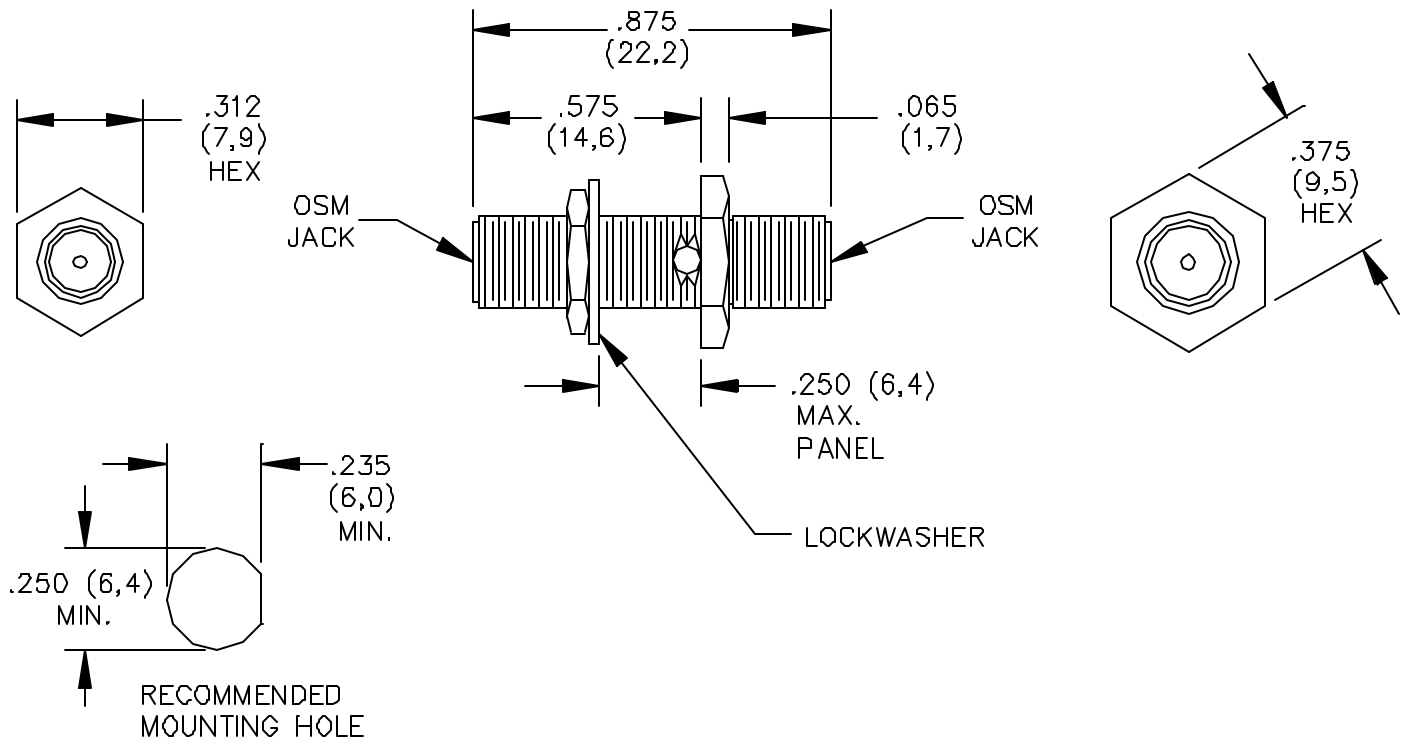


Model 4285 Adapter, SMA, Female To Female



MATERIALS:

Body: Gold Plated Beryllium Copper per QQ-C-530, Cond. HT.

Contact: Gold Plated Beryllium Copper per QQ-C-530, Cond. HT.

Insulation: PTFE

Finish:

Body, Fittings and Contact: Gold plate per MIL-G-45204, Type II, Class 2

RATINGS:

Operating Temperature: -65°C. (-85°F.) to +165°C. (+329°F.)

Operating Voltage: 1000 VRMS, 60 Hz at sea level

Insulation Resistance: 5000 Megohms Min.

Frequency Range: 0-12.4 GHz

ORDERING INFORMATION: Model 4285

All dimensions are in inches. Tolerances (except noted): .xx = ±.02" (.51 mm), .xxx = ±.005" (.127 mm).
All specifications are to the latest revisions. Specifications are subject to change without notice.
Registered trademarks are the property of their respective companies.

Made in USA

Mouser Electronics

Authorized Distributor

Click to View Pricing, Inventory, Delivery & Lifecycle Information:

[Pomona:](#)

[4285](#)