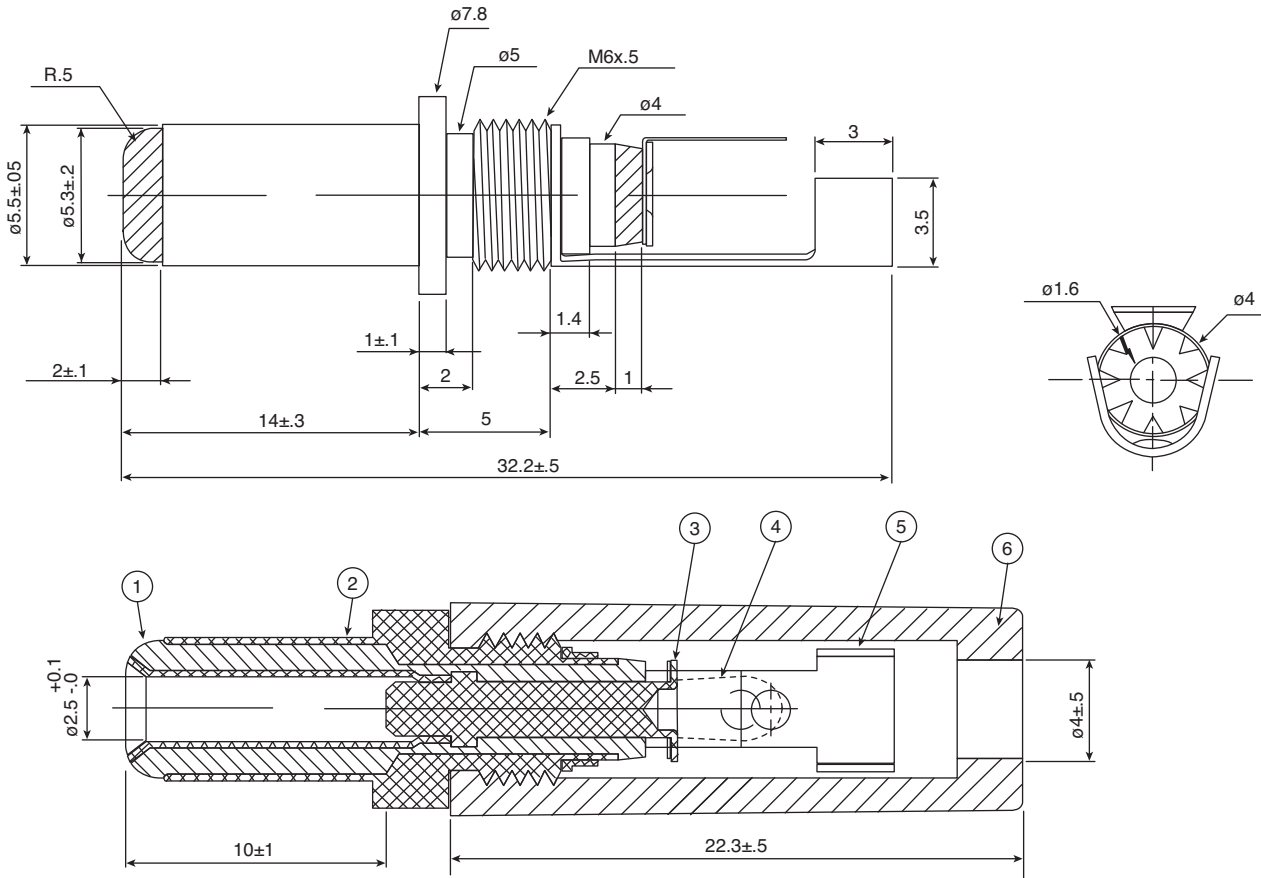


DC Power Plug 2.5mm

171-PA5525A-1-E



DC Power Plug 2.5mm



Dimensions: mm

MATERIAL SPECIFICATIONS	
1:	ABS Black
2:	Brass Nickel
3:	Brass Nickel
4:	Brass Nickel
5:	POM Black

SPECIFICATIONS

RoHS Compliant

Date Last Revised: 8/19/09

Available from Mouser Electronics
1-800-346-6873 / www.mouser.com

KC- 301367

171-PA5525A-1-E

Specifications are subject to change without notice. No liability or warranty implied by this information. Environmental compliance based on producer documentation.

Mouser Electronics

Authorized Distributor

Click to View Pricing, Inventory, Delivery & Lifecycle Information:

[Kobiconn:](#)

[171-PA5525A-1-E](#)