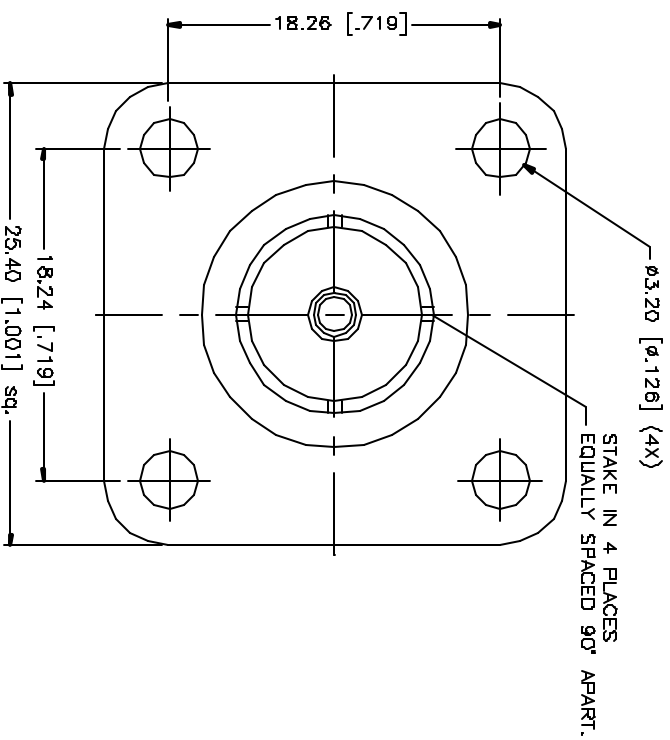
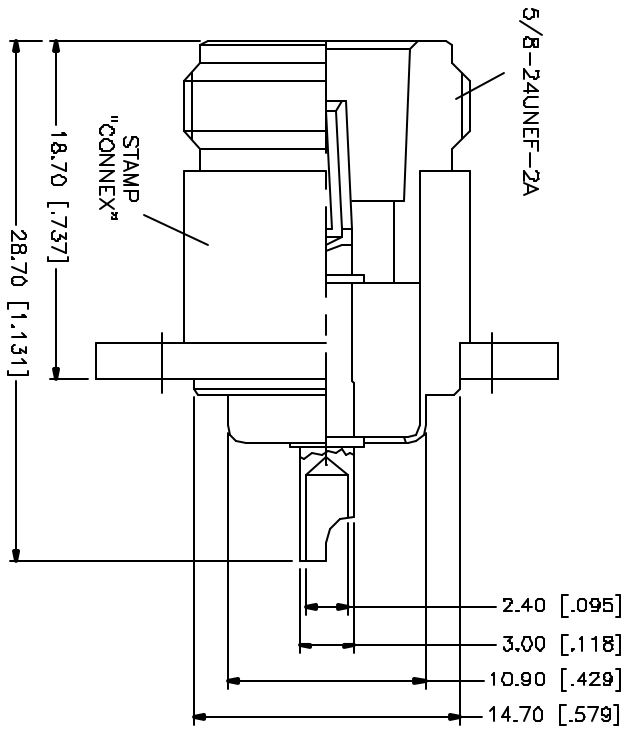


REV.	DATE	DESCRIPTION
A	05/01/04	UPDATE DRAWING FORMAT



REV.	DATE	DESCRIPTION
8		
7		
6		
5		
4		
3		
2		
1		

DESCRIPTION	MATERIAL	FINISH	QTY
CONTACT PIN	PHOS. BRONZE	GOLD	1
INSULATOR	TEFLON	NATURAL	1
BODY	BRASS	NECOTE	1

UNLESS OTHERWISE SPECIFIED DIMENSIONS ARE IN INCHES AND THE DECIMAL EQUIVALENT (MM).
TOLERANCES FOR HIDDEN AREAS
0.15 - 30mm ± 0.20mm
30 - 120mm ± 0.50mm
120 - 300mm ± 0.75mm
300 - 1200mm ± 1.50mm
1200 - 3000mm ± 2.50mm
3000 - 10000mm ± 4.00mm
10000mm and over ± 6.00mm

APPROVALS	DATE
DRAWN: G.R.S.	05/01/04
CHECKED:	
ISSUED:	
SHEET: 1 OF 1	

PART DESCRIPTION	PART NO.
N PANEL RECEPT, CAPTIVE CENTER CONTACT	172210

APP. NO.	REV.	SIZE	SCALE
C:/172/172210.DWG	A	A	NA

Mouser Electronics

Authorized Distributor

Click to View Pricing, Inventory, Delivery & Lifecycle Information:

[Amphenol:](#)

[172210](#)