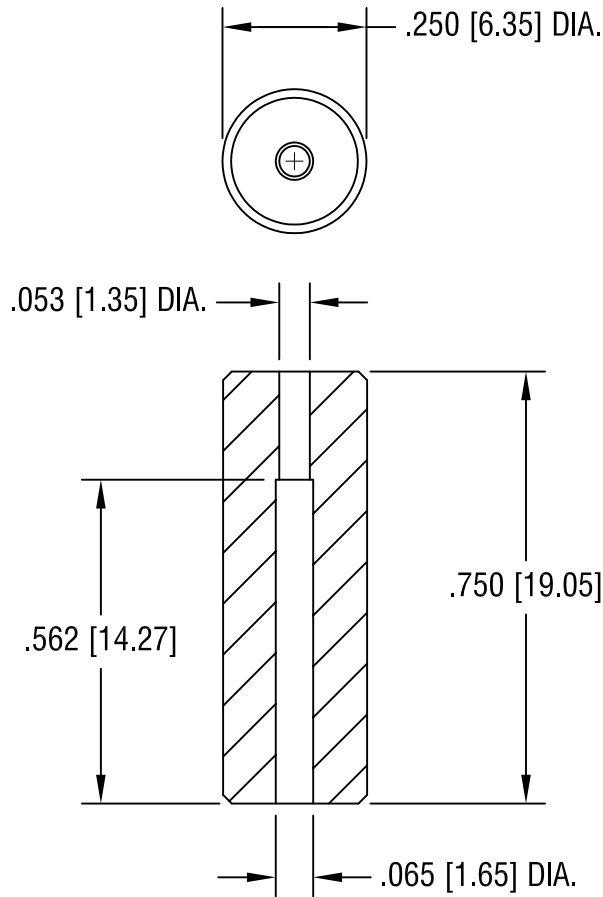


THIS DOCUMENT IS THE PROPERTY OF
KEYSTONE ELECTRONICS CORP. AND
SHALL NOT BE REPRODUCED, DISTRIBUTED
OR USED AS A BASIS FOR MANUFACTURE
WITHOUT PRIOR WRITTEN PERMISSION
FROM KEYSTONE ELECTRONICS CORP.



KEYSTONE ELECTRONICS CORP.

ASTORIA, N.Y. 11105-2017

PART NAME		ANVIL	
MATERIAL		C.R.S.	
FINISH		DRN BY	DATE
ZINC PLATE		BOONE	7.30.07
TOLERANCES		APP'D	SCALE
INCH [MM]		LN	3X
DECIMAL ± .005 [± 0.15]		DWG NO.	
ANGULAR ± 1°		1722	
UNLESS OTHERWISE SPECIFIED		C	

DATE	DESCRIPTION	REV.
------	-------------	------

Mouser Electronics

Authorized Distributor

Click to View Pricing, Inventory, Delivery & Lifecycle Information:

[Keystone Electronics:](#)

[1722](#)