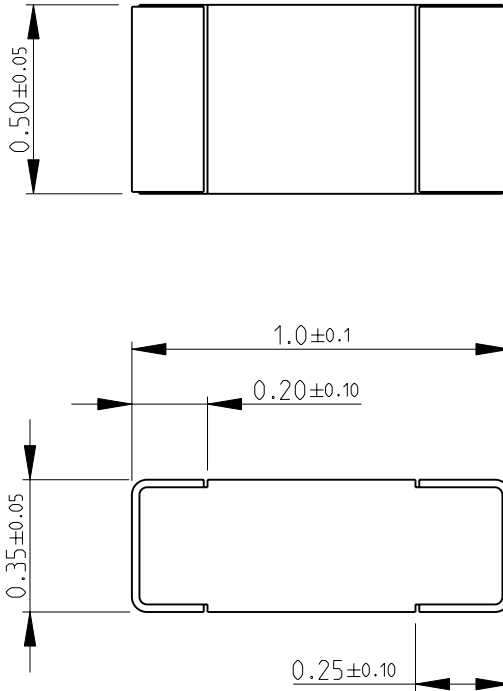
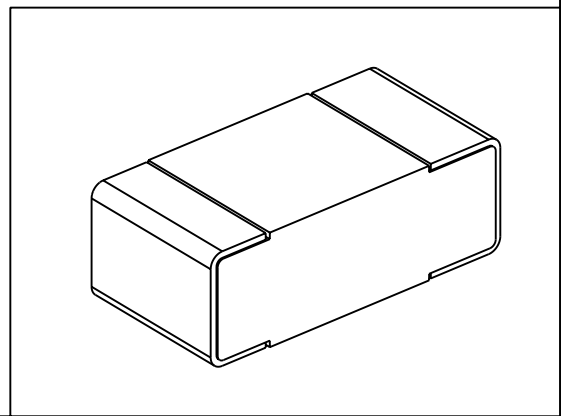


LOC	DIST	REVISIONS			
P	LTR	DESCRIPTION	DATE	DWN	APVD
E	B	BA1	REVISED PER ECO-11-005150	29MAR2011	RK HMR

FOR FURTHER INFORMATION SEE DATA SHEET FOR  
CRG SERIES-THICK FILM CHIP RESISTORS



RoHS Compliant



2008


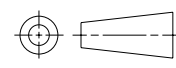
RELEASED FOR PUBLICATION

ALL RIGHTS RESERVED.

BY -

© COPYRIGHT 2008

THIS DRAWING IS UNPUBLISHED.

DIMENSIONS: mm	DWN SUBHASH.M	06-Oct-08	MATERIAL	-	FINISH	-
	CHK PRAKASH.S	06-Oct-08	 TE Connectivity			
TOLERANCES UNLESS OTHERWISE SPECIFIED:	APVD STEPHEN.P	06-Oct-08				
0 PLC ± 0.5	PRODUCT SPEC	-	NAME THICK FILM CHIP RESISTORS SERIES CRG 0402			
1 PLC ± 0.2	APPLICATION SPEC	-				
2 PLC ± 0.1	WEIGHT	-	SIZE	A 4	CAGE CODE	00779
3 PLC ± -			DRAWING NO	C= 1622826		RESTRICTED TO
4 PLC ± -						
ANGLES ± 5°						
	CUSTOMER DRAWING		SCALE	50:1	SHEET	1 OF 1
						REV BA1

# Mouser Electronics

Authorized Distributor

Click to View Pricing, Inventory, Delivery & Lifecycle Information:

[TE Connectivity:](#)

[CRG0402ZR](#)