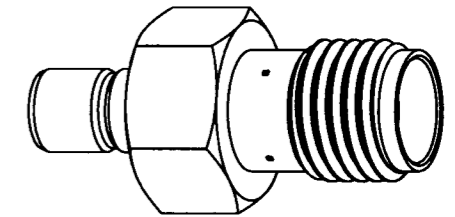


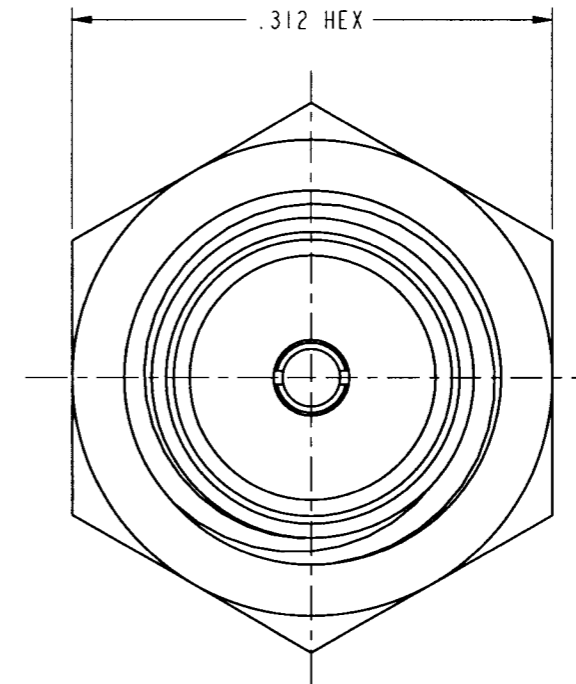
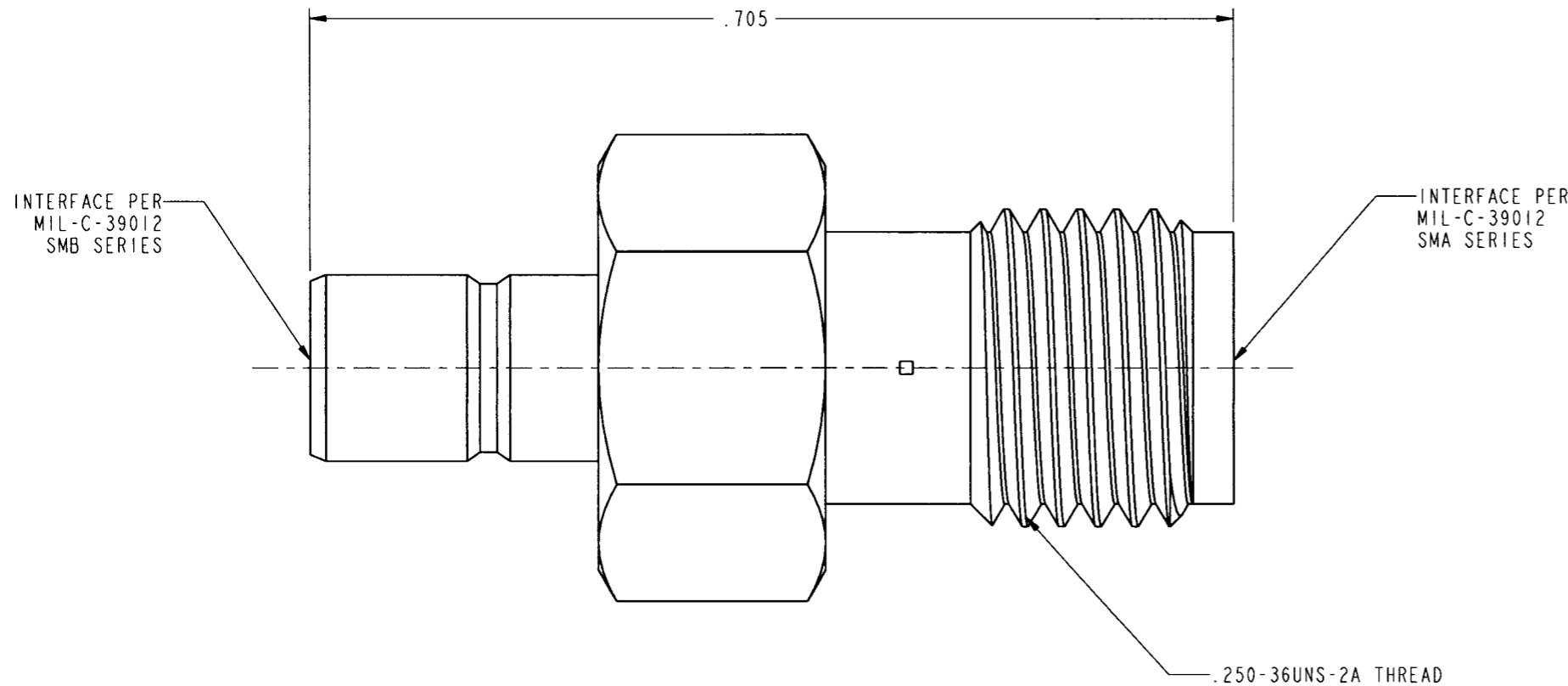
NOTES:

- 1. MATERIALS OF CONSTRUCTION:
 BODY = STAINLESS STEEL, PASSIVATED
 CONTACT = BERYLLIUM COPPER, GOLD PLATED
 INSULATOR = PTFE, FLUOROCARBON

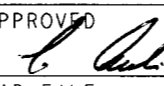
901-9033		REVISIONS			
DRAWING NO.	REV	DESCRIPTION	DATE	ECO	APPR
THIRD ANGLE PROJ.	--	RELEASE TO MFG.	5/25/00	43391	CPM
	B	SEE SHEET I			



SCALE 3.000



CUSTOMER OUTLINE DRAWING
FOR REFERENCE ONLY

UNLESS OTHERWISE SPECIFIED, DIMENSIONS ARE IN INCHES AND TOLERANCES ARE: 2 PLACE DECIMAL 3 PLACE DECIMAL ANGLES ±.015 (0,381 mm) ±.005 (0,127 mm) ± 1°	MATERIAL	DRAWN C. McGRATH	DATE 22-May-00	TITLE SMA JACK TO SMB JACK ADAPTOR	Amphenol Amphenol Corporation Communication and Network Products Division Danbury, CT U.S.A. 06810			
	REFERENCE GEN# ASSYF2_SMA-SMB	ENGINEER P. BRENZEL	DATE 22-May-00			APPROVED 		
NOTICE - These drawings, specifications, or other data (1) are, and remain the property of Amphenol Corp. (2) must be returned upon request; and (3) are confidential and not to be disclosed to any person other than those to whom they are given by Amphenol Corp. The furnishing of these drawings, specifications, or other data by Amphenol Corp., or to any other person to anyone for any purpose is not to be regarded by implication or otherwise in any manner licensing, granting rights or permitting such holder or any other person to manufacture, use or sell any product, process or design, patented or otherwise, that may in any way be related to or disclosed by said drawings, specifications, or other data.		CAD FILE I:\SMA\901-9033	CODE ID 74868	DWG SIZE B	DRAWING NO. 901-9033	SCALE: 8.0:1	SHEET 2 OF 2	REV B

Mouser Electronics

Authorized Distributor

Click to View Pricing, Inventory, Delivery & Lifecycle Information:

[Amphenol:](#)

[901-9033](#)