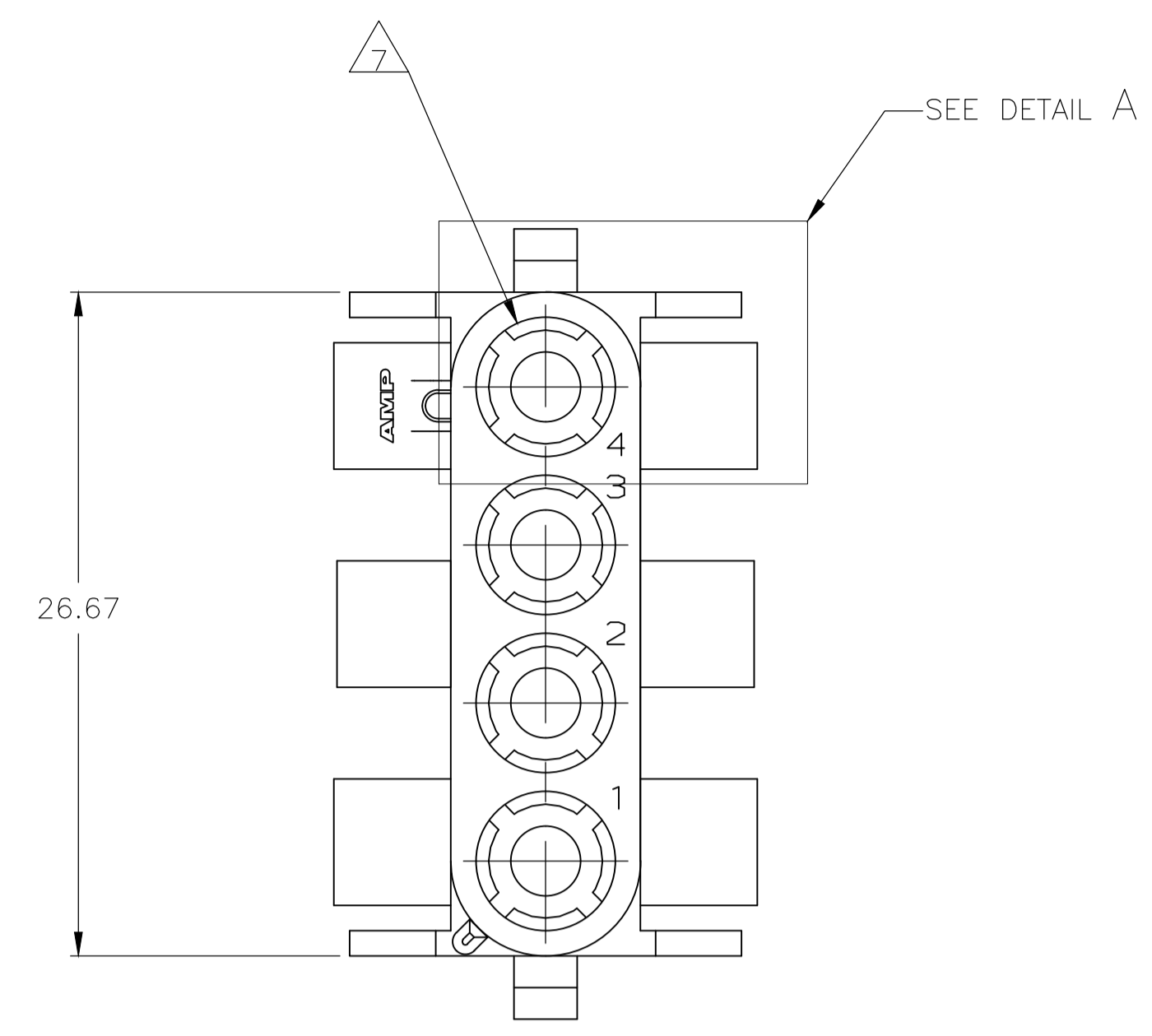
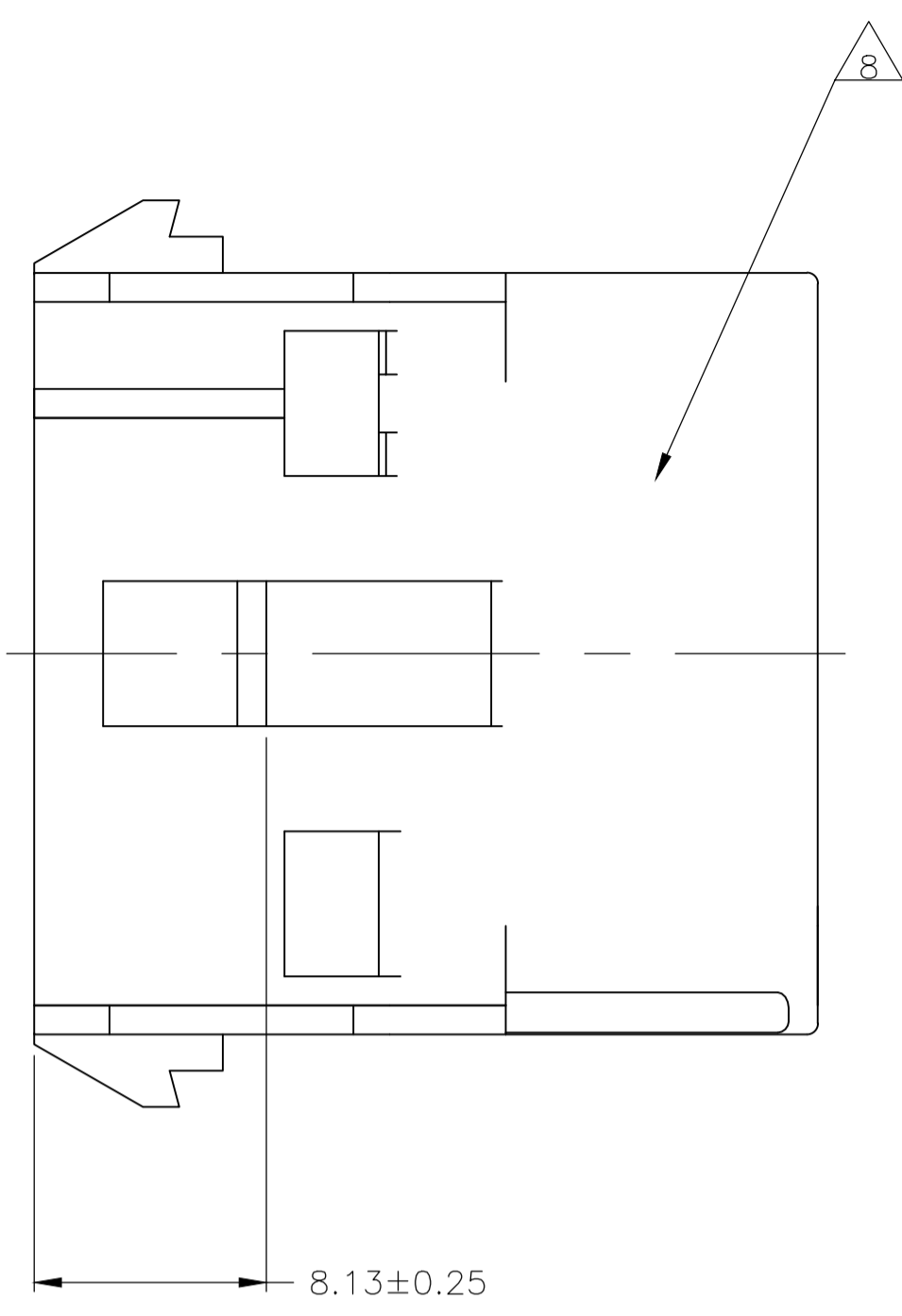
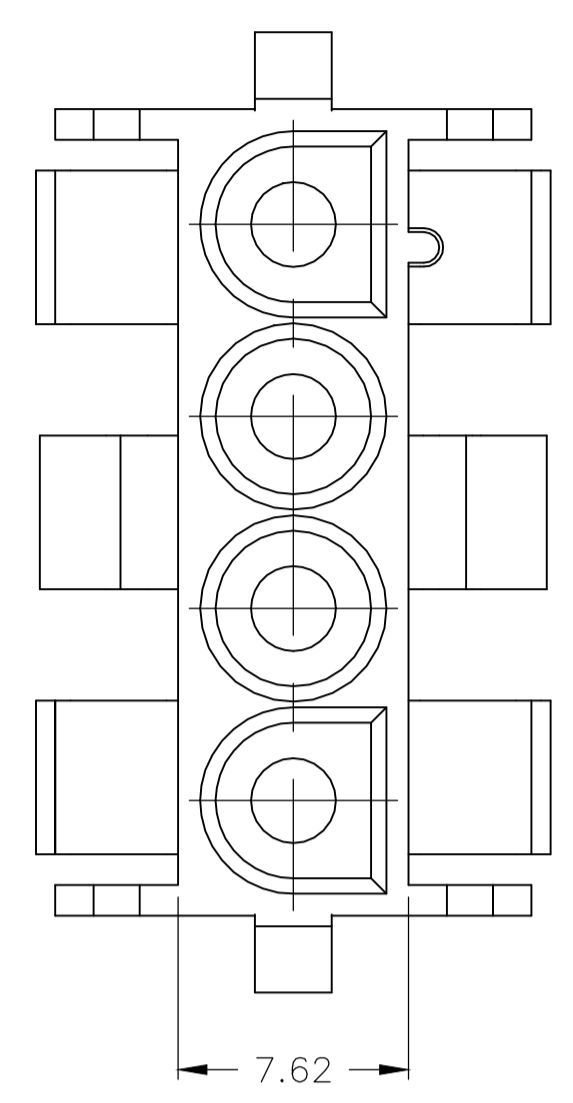
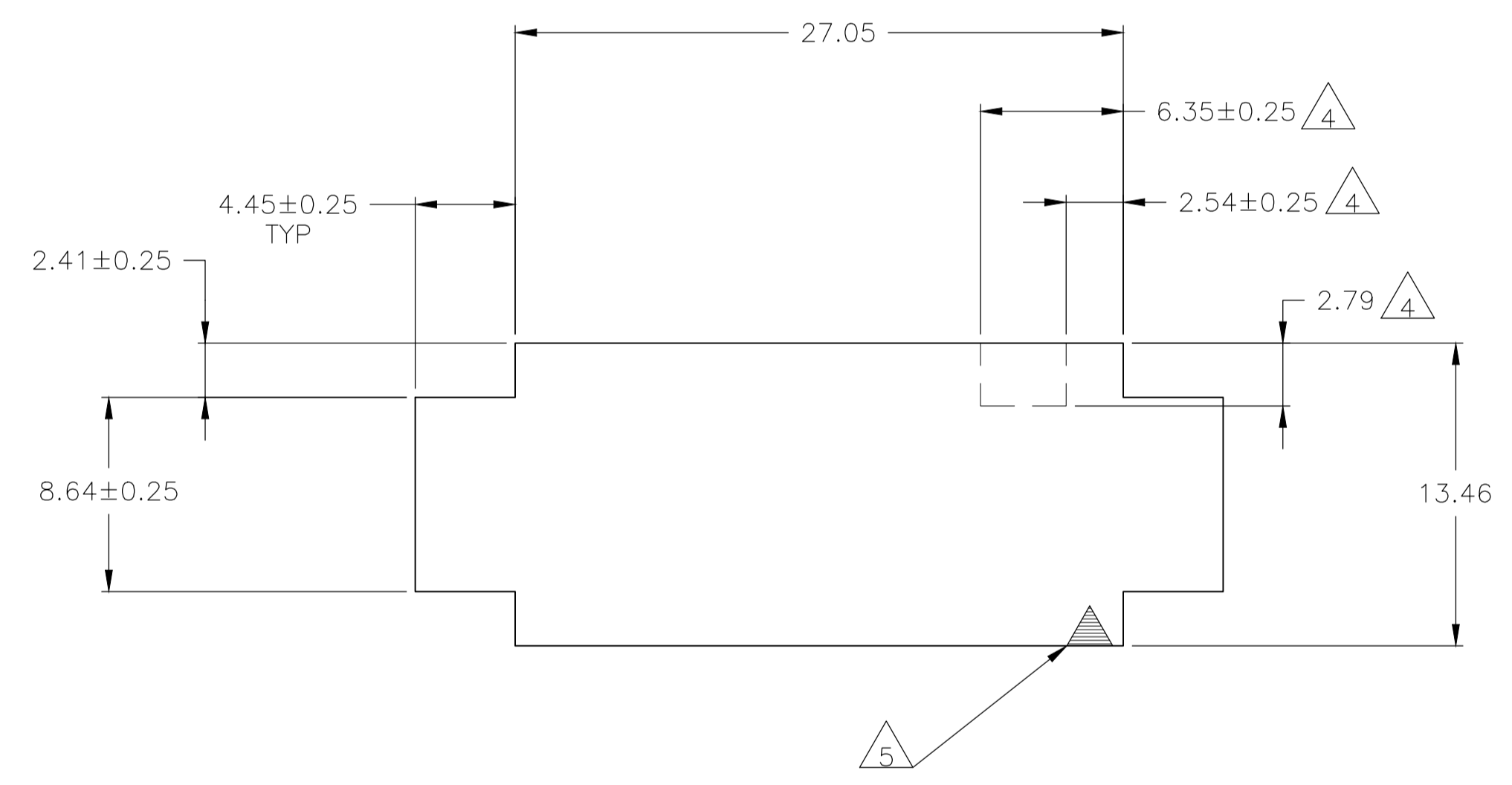
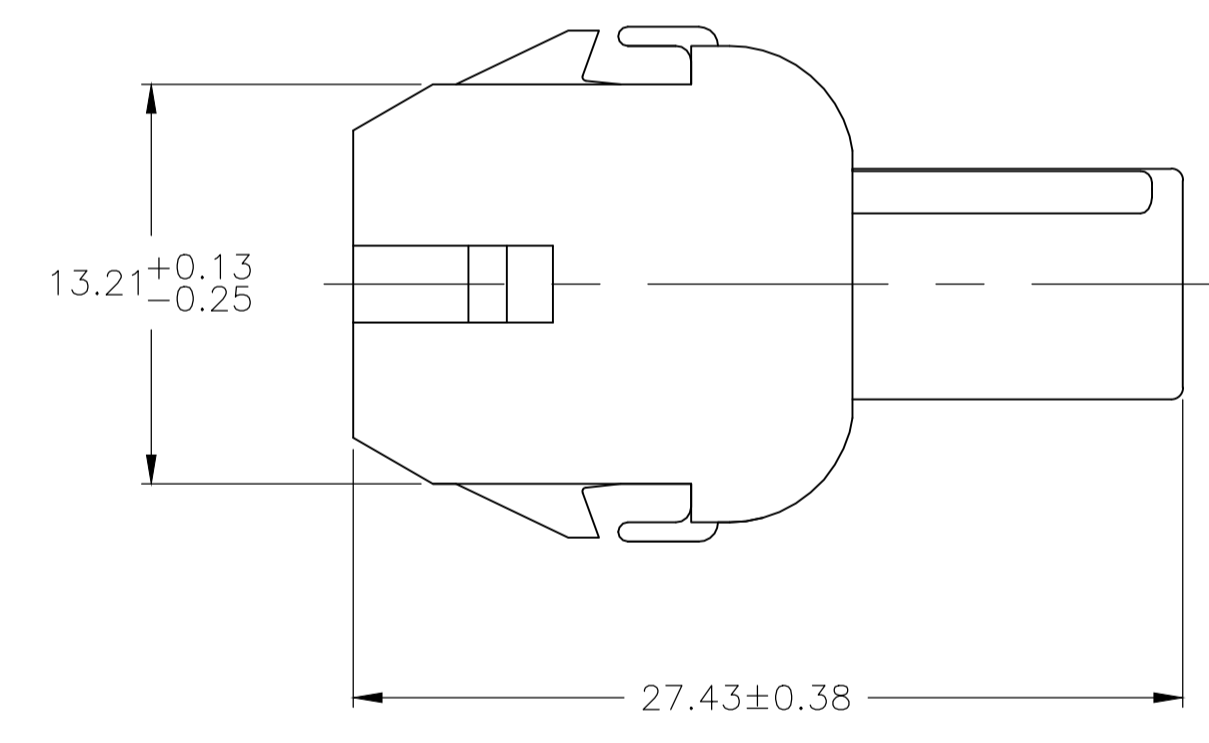
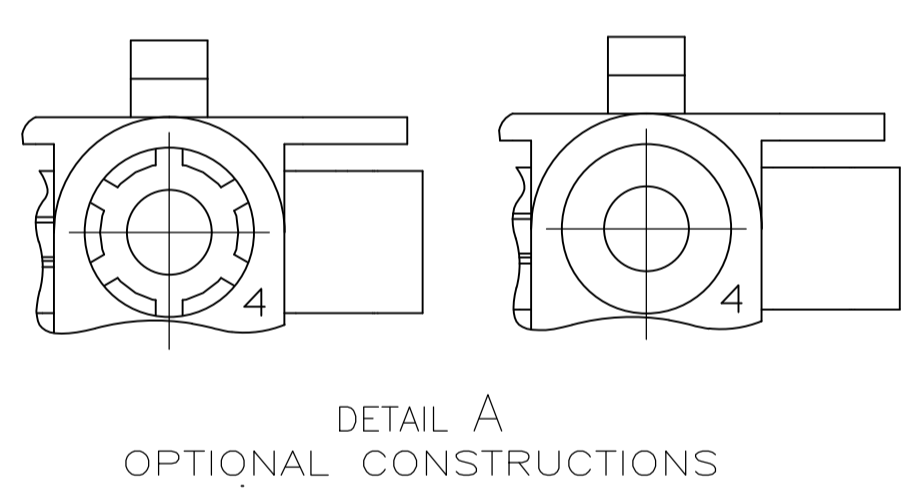


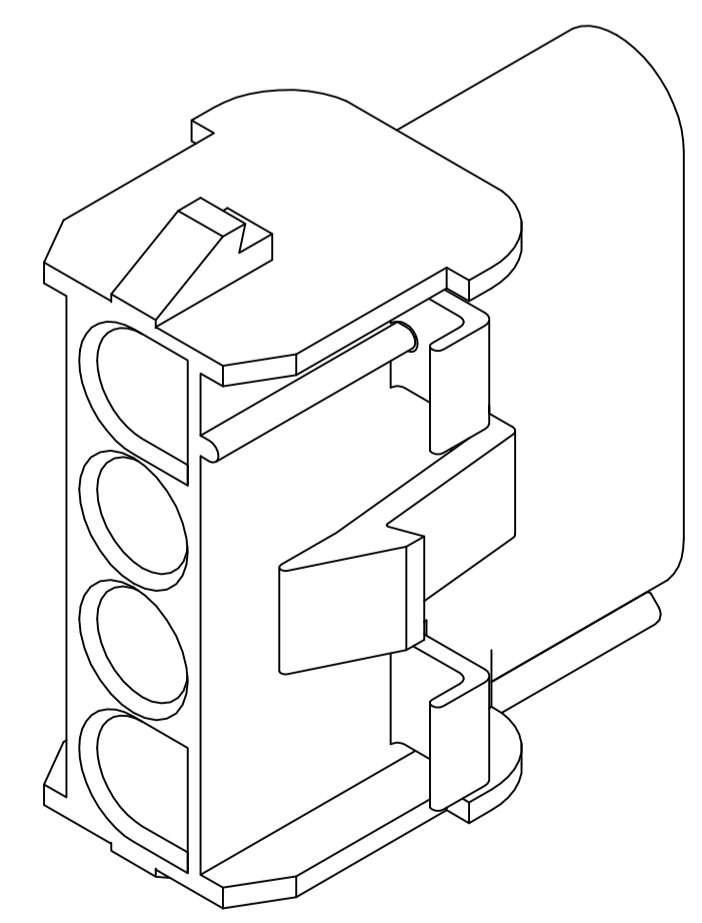
| REVISIONS | | | | | |
|-----------|-------------|---------------|-----------|-----|------|
| P | LTR | DESCRIPTION | DATE | DMN | APVD |
| V5 | REVISED PER | ECO-18-008576 | 02OCT2018 | RS | DH |



- MATES WITH APPROPRIATE UNIVERSAL MATE-N-LOK™ PLUG.
- RECOMMENDED PANEL THICKNESS 0.76 - 2.29.
- PANEL MUST BE PUNCHED SO THAT THE HOUSING ENTERS THE PANEL IN THE SAME DIRECTION AS THE PUNCH.
- OPTIONAL FOR KEYING HOUSING IN PANEL.
- CIRCUIT NUMBER 1 LOCATION.
- DIMENSIONS SHOWN REPRESENT PRODUCT IN DRY, AS MOLDED, CONDITION. ADDITIONAL 2% GROWTH DUE TO SUBSEQUENT MOISTURE ABSORPTION MAY OCCUR AND SHOULD BE ACCOUNTED FOR.
- FOUR RIBS EQUALLY SPACED, NO SPECIFIC ORIENTATION. NO RIBS OR SIX RIBS EQUALLY SPACED, NO SPECIFIC ORIENTATION, OPTIONAL.
- UNDERWRITERS RECOGNIZED COMPONENT LOGO AND CSA CERTIFICATION LOGO TO BE LOCATED ONCE EACH ON SIDE OF HOUSING.



RECOMMENDED PANEL CUT OUT



3-DIMENSIONAL MODEL NTS

| CUSTOMER RESTRICTED | COLOR | PART NUMBER |
|---------------------|---------|-------------|
| | NATURAL | 350780-2 |
| | BLACK | 1-350780-9 |
| | GRAY | 1-350780-8 |
| | BLUE | 1-350780-6 |
| | GREEN | 1-350780-5 |
| | YELLOW | 1-350780-4 |
| | ORANGE | 1-350780-3 |
| OBSOLETE | RED | 1-350780-2 |
| | BROWN | 1-350780-1 |
| | NATURAL | 350780-1 |
| | COLOR | PART NUMBER |

| MM | IN | MM | IN |
|------|------|-------|-------|
| 4.45 | .175 | 27.43 | 1.080 |
| 2.79 | .110 | 27.05 | 1.065 |
| 2.54 | .100 | 26.67 | 1.050 |
| 2.41 | .095 | 13.46 | .530 |
| 2.29 | .090 | 13.21 | .520 |
| 0.76 | .030 | 8.64 | .340 |
| 0.38 | .015 | 8.13 | .320 |
| 0.25 | .010 | 7.62 | .300 |
| 0.13 | .005 | 6.35 | .250 |

CONVERSION TABLE

THIS DRAWING IS A CONTROLLED DOCUMENT.

| | | | | | |
|-------------------------|--|-------------------------|----------------------|----------------------|--------------------|
| DIMENSIONS: mm | TOLERANCES UNLESS OTHERWISE SPECIFIED: | DIN K. WHITAKER 15JUL92 | CHK R. SWING 15JUL92 | APVD D. SELF 20JUL92 | NAME |
| 0. PLC ± - | 1. PLC ± - | 2. PLC ± 0.13 | 3. PLC ± - | 4. PLC ± - | ANGLES ± 1° |
| MATERIAL NYLON,UL 94V-0 | FINISH - | WEIGHT 0.000000 | SIZE A1 | CAGE CODE 00779 | DRAWING NO. 350780 |
| CUSTOMER DRAWING | | SCALE 4:1 | SHEET 1 OF 1 | REV V5 | RESTRICTED TO |

STE TE Connectivity

CAP.4 CIRCUIT, UNIVERSAL MATE-N-LOK™