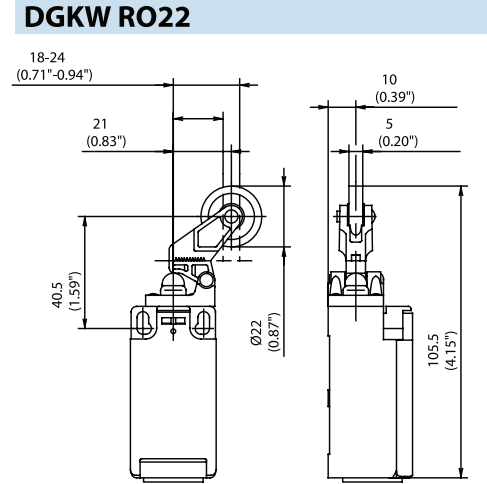
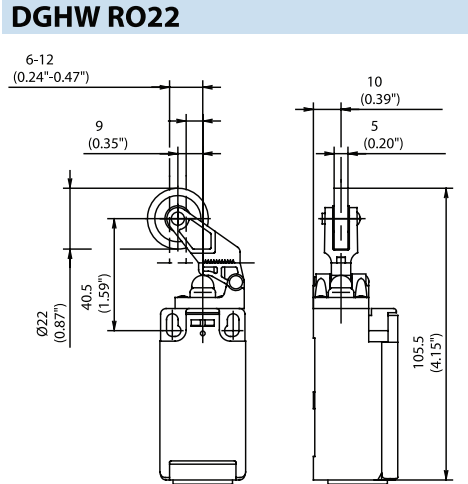


**I88 Series**



Switching Operation	Slow Action	Snap Action	Slow Action	Snap Action
<b>1 NC / 1 NO Contacts</b>	<b>608.6121.029</b> I88-U1Z DGHW RO22	<b>608.6171.030</b> I88-SU1Z DGHW RO22	<b>608.6127.025</b> I88-U1Z DGKW RO22	<b>608.6177.026</b> I88-SU1Z DGKW RO22
<b>2 NC Contacts</b>	<b>608.6821.120</b> I88-A2Z DGHW RO22	-	-	-
<b>2 NO Contacts</b>	-	-	-	-
<b>1 NC / 1 NO Contacts Overlapping</b>	<b>618.6321.244</b> I88-UV1Z DGHW RO22	-	-	-

	DGHW RO22		DGKW RO22	
	Slow Action	Snap Action	Slow Action	Snap Action
<b>Replacement actuator:</b>	<b>391.8211.529</b>		<b>391.8271.528</b>	
<b>Technical Information</b>				
Maximum Switching Voltage	240V	240V	240V	240V
Max. Switching Amps (up to)*	10A	10A	10A	10A
B10d (up to)*	20 Million	20 Million	20 Million	20 Million
Mechanical Service Life (up to)*	10 x 10 <sup>6</sup>	10 x 10 <sup>6</sup>	10 x 10 <sup>6</sup>	10 x 10 <sup>6</sup>
Switching Frequency	≤ 100/min	≤ 100/min	≤ 100/min	≤ 100/min
Operating Temperature	-30 °C to +80 °C	-30 °C to +80 °C	-30 °C to +80 °C	-30 °C to +80 °C
Protection Rating	IP65	IP65	IP65	IP65
Utilization Category (up to)*	AC-15, Ue/Ue 240V 3A	AC-15, Ue/Ue 240V 3A	AC-15, Ue/Ue 240V 3A	AC-15, Ue/Ue 240V 3A
Rate Insulation Voltage	250VAC	250VAC	250VAC	250VAC

Approvals \* Depending on switching system - see technical information for details

- |  |  |
|--|--|
| <p><b>Special features/variants</b> (on request)</p> <ul style="list-style-type: none"> <li>• Available with black enclosure</li> <li>• Available with different mounting directions</li> <li>• With different roller diameters</li> </ul> | <p><b>Special features/variants</b> (on request)</p> <ul style="list-style-type: none"> <li>• With latching function</li> <li>• With different roller diameters</li> <li>• With 2NC/1NO or 2NO/1NC contacts</li> </ul> |
|--|--|

# Mouser Electronics

Authorized Distributor

Click to View Pricing, Inventory, Delivery & Lifecycle Information:

[Altech:](#)

[608.6121.029](#) [608.6177.026](#) [608.6127.025](#) [608.6821.120](#) [608.6171.030](#) [618.6321.244](#)