

THIS DRAWING IS UNPUBLISHED.

RELEASED FOR PUBLICATION

ALL RIGHTS RESERVED.

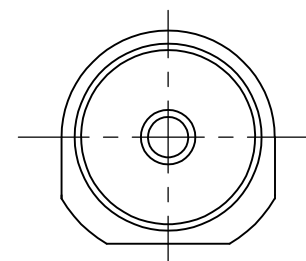
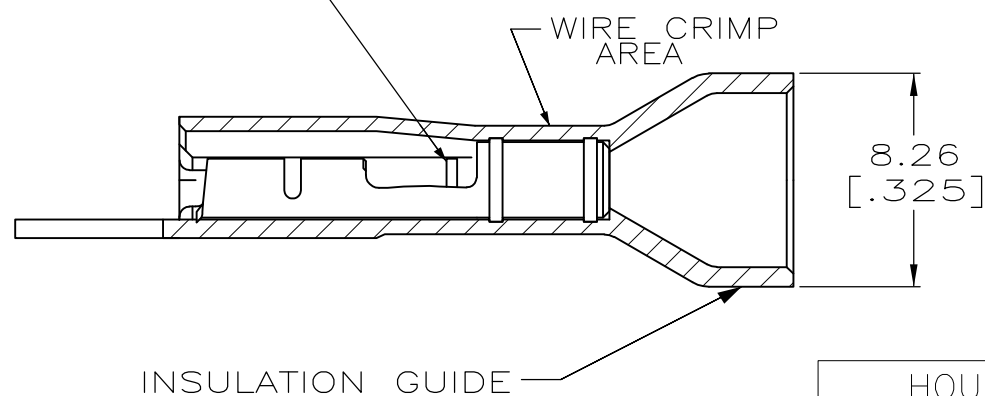
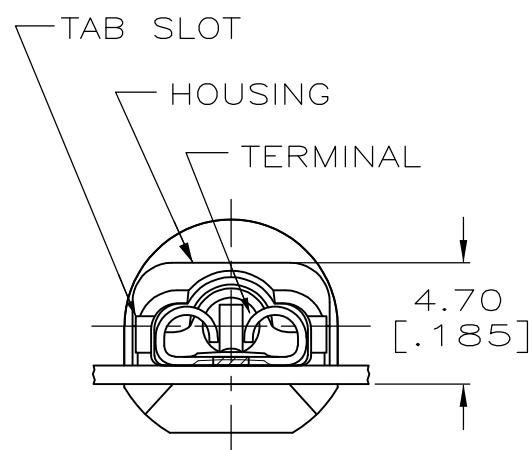
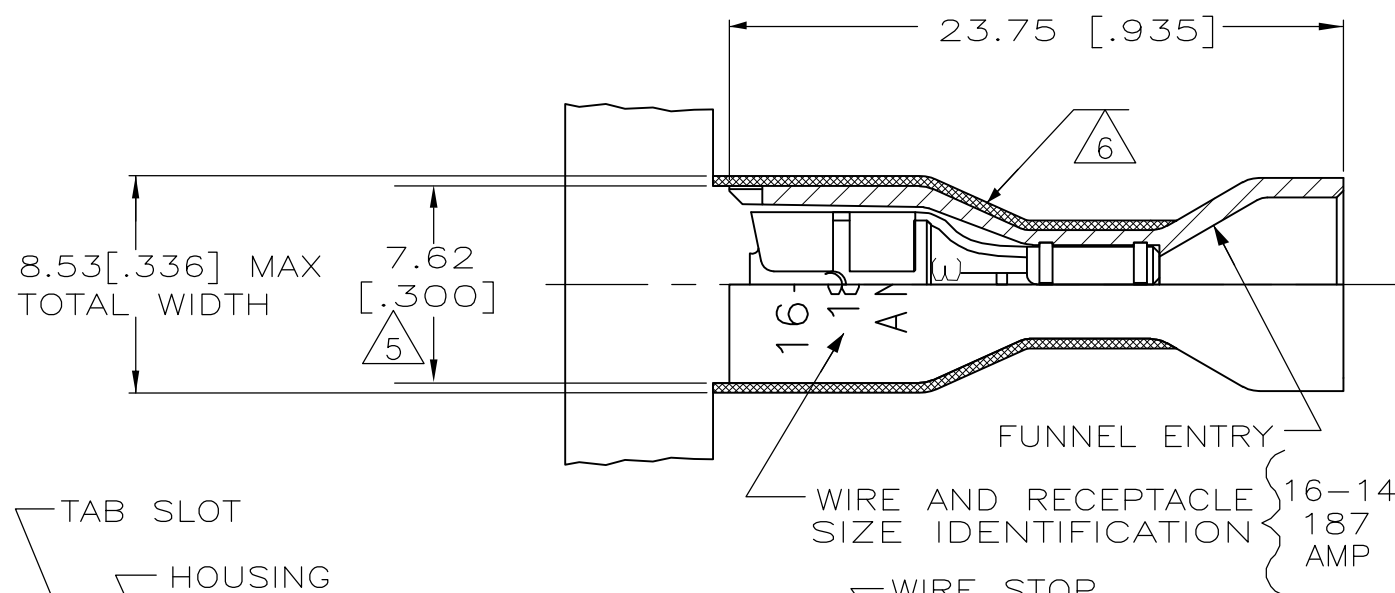
© COPYRIGHT - By -

LOC AF DIST 50


REVISIONS

P	LTR	DESCRIPTION	DATE	DWN	APVD
	K	REVISED PER ECR-13-004343	30JUL13	KH	KR

- 1 MATES WITH .032±.001x.187 TAB
- 2 WIRE STRIP LENGTH .281
- 3 INSULATION SIZE .260 MAX DIA
- 4 CONTINUOUS STRIP ON REELS
- △5 DIMENSION DOES NOT INCLUDE TRIM BURR
- △6 .015 MAX CARRIER TRIM BURR PER SIDE IS ALLOWABLE IN THE SHADED AREA



HOUSING:NYLON,COLOR-BLACK TRANSLUCENT RECEPTACLE:BRASS TIN	9-520276-2
HOUSING:NYLON,COLOR-BLUE TRANSLUCENT RECEPTACLE:BRASS TIN	3-520276-2
MATERIAL & FINISH	PART NO

THIS DRAWING IS A CONTROLLED DOCUMENT.		DWN JR RUTH 10/12/92	 TE Connectivity NAME RECEPTACLE, ASSY, ULTRA-FAST, .187 SERIES, 16-14 AWG				
DIMENSIONS: mm [INCHES]		CHK MS FEHER 10/12/92					
TOLERANCES UNLESS OTHERWISE SPECIFIED:		APVD V KARACIEVSCHY 10/12/92					
0 PLC ± - 1 PLC ± - 2 PLC ± 0.38 [.015] 3 PLC ± - 4 PLC ± - ANGLES ± -		PRODUCT SPEC 108-2043					
MATERIAL SEE TABLE		FINISH SEE TABLE	APPLICATION SPEC 114-2123	SIZE A3	CAGE CODE 00779	DRAWING NO C-520276	RESTRICTED TO -
CUSTOMER DRAWING			WEIGHT -	SCALE 4:1	SHEET 1 OF 1	REV K	

# Mouser Electronics

Authorized Distributor

Click to View Pricing, Inventory, Delivery & Lifecycle Information:

[TE Connectivity:](#)

[3-520276-2 \(Mouser Reel\)](#)