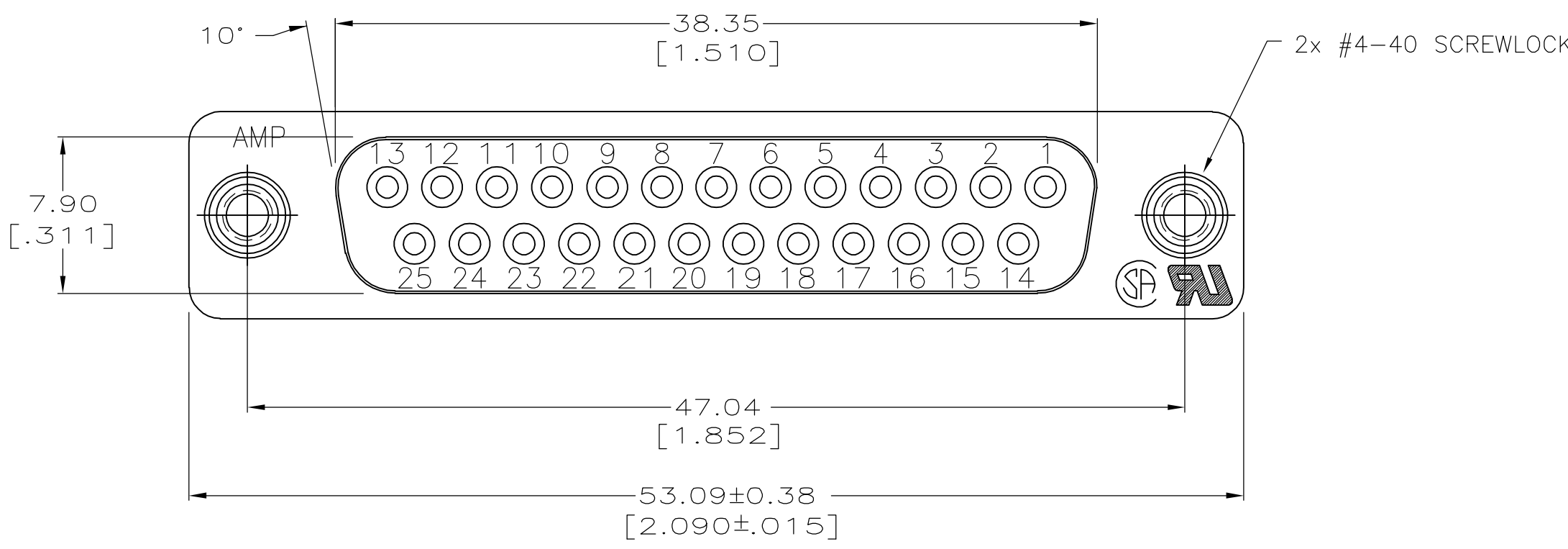
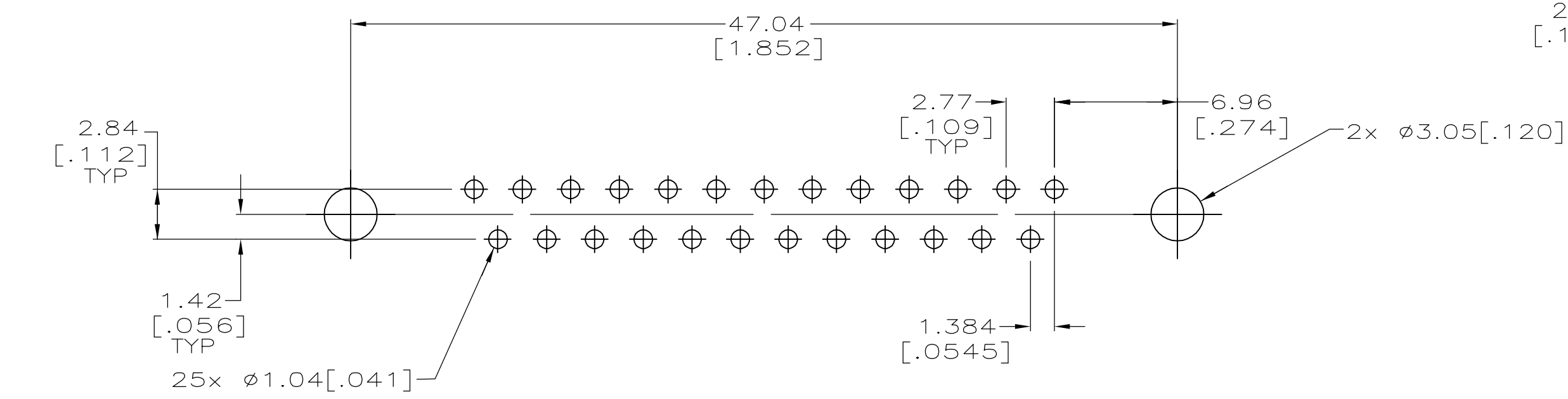
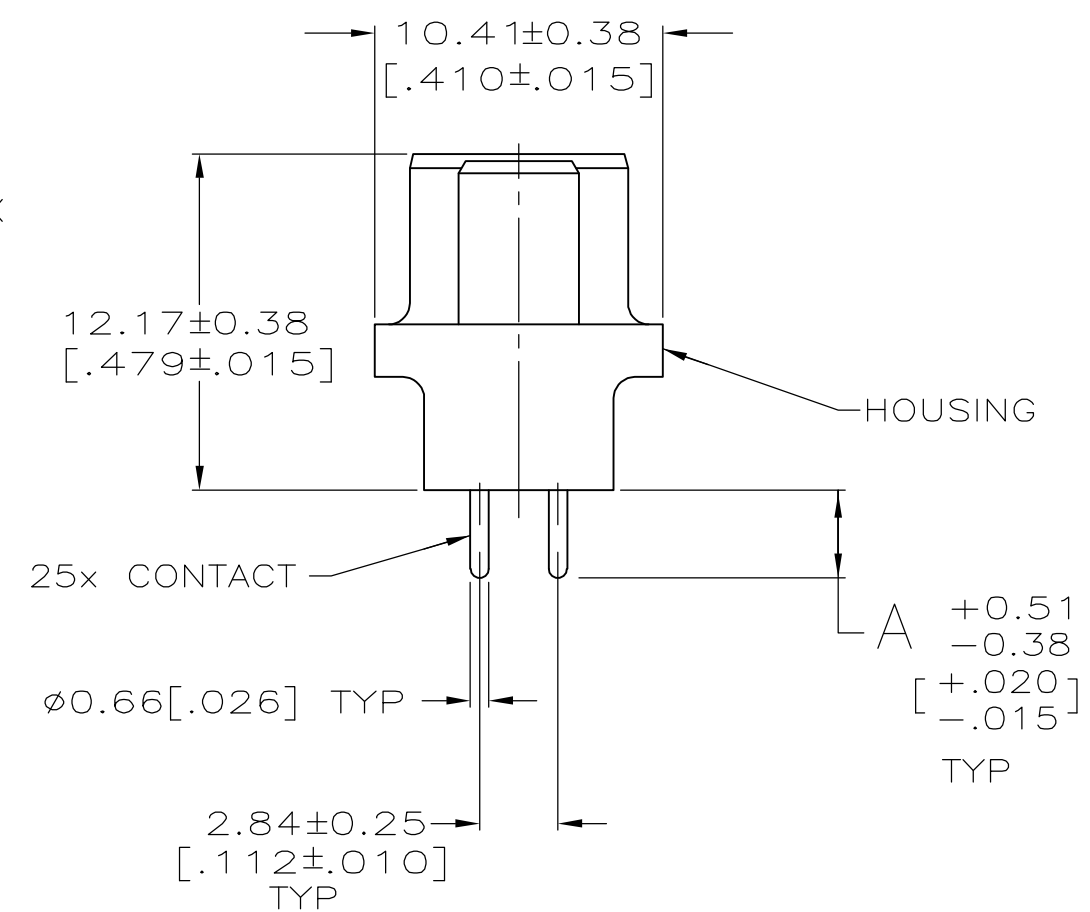
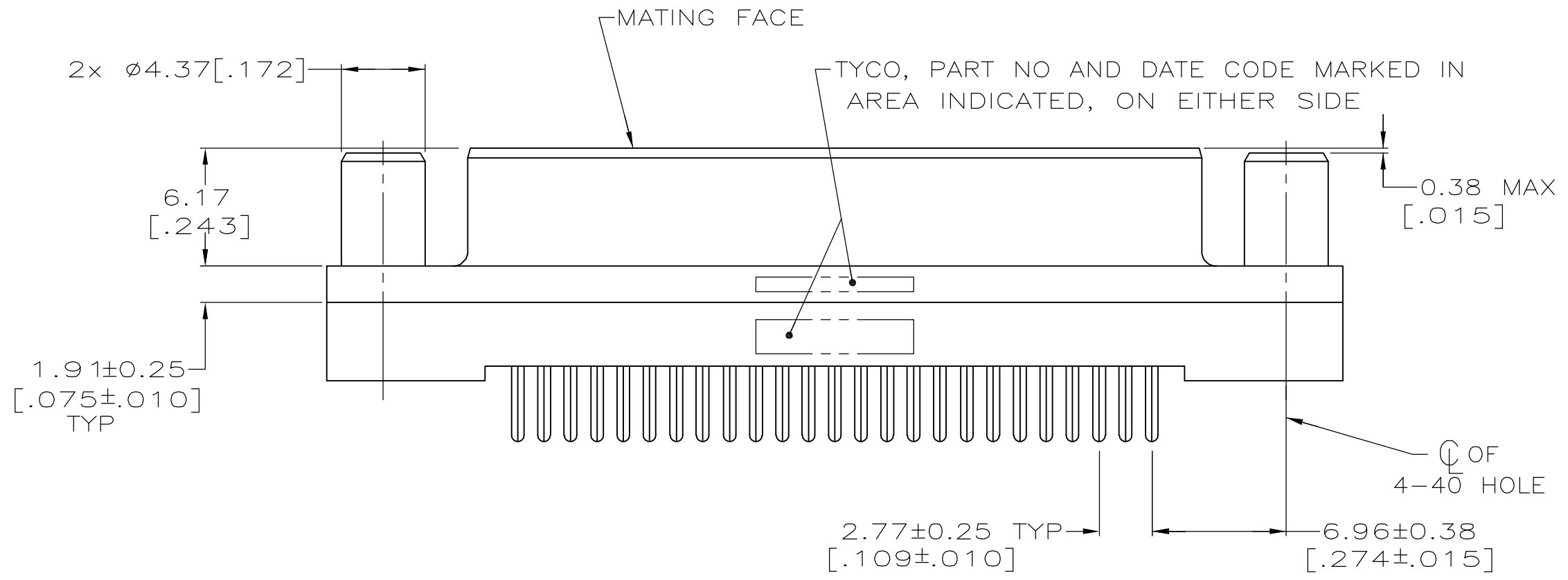


LOC	DIST	REVISIONS			
P	LTR	DESCRIPTION	DATE	OWN	APVD
GP	00	0	RELEASED PER EC 0513-0087-05	14SEP05	GP JG



- 1 HOUSING: BLACK POLYESTER, UL 94V-0 RATED; CONTACTS: CONTACTS: PHOSPHOR BRONZE; SCREWLOCKS: BRASS.
- 2 CONTACTS: SEE TABLE. SCREWLOCKS: 1.27µm[.000050] MIN NICKEL OVER COPPER FLASH.
- 3 GOLD FLASH FOR A LENGTH OF 2.54[.100] MIN FROM MATING END, 2.54µm[.000100] MIN TIN FOR A LENGTH OF DIMENSION A FROM OPPOSITE END, ALL OVER 1.27µm[.000050] MIN NICKEL.
- 4 0.76µm[.000030] MIN GOLD FOR A LENGTH OF 2.54[.100] MIN FROM MATING END, 2.54µm[.000100] MIN TIN FOR A LENGTH OF DIMENSION A FROM OPPOSITE END, ALL OVER 1.27µm[.000050] MIN NICKEL.



RECOMMENDED PC BOARD MOUNTING DIMENSIONS

4.32 [.170]	4	5745078-6
4.32 [.170]	3	5745078-5
3.18 [.125]	4	5745078-4
3.18 [.125]	3	5745078-3
A	CONTACT FINISH	PART NO

**COPYRIGHT 2005
TYCO ELECTRONICS CORP
ALL RIGHTS RESERVED**

THIS DRAWING IS A CONTROLLED DOCUMENT.		DWN G.PETERS 14SEP05	Tyco Electronics Corporation	
DIMENSIONS: mm [INCHES]		CHK S.BOLASH 14SEP05	Harrisburg, PA 17105-3608	
TOLERANCES UNLESS OTHERWISE SPECIFIED:		APVD M.WALMSLEY 14SEP05	RECEPTACLE ASSEMBLY, SIZE 3, 25 POSN, VERTICAL, AMPLIMITE HD-20	
0 PLC ± -	1 PLC ± -	PRODUCT SPEC 108-40025	SIZE A2	CAGE CODE 00779
2 PLC ± 0.13 [005]	3 PLC ± -	APPLICATION SPEC -	DRAWING NO G-5745078	RESTRICTED TO -
4 PLC ± -	ANGLES ± ± 2'	FINISH	WEIGHT -	SCALE 4:1
MATERIAL 1	FINISH 2	CUSTOMER DRAWING	SHEET 1 of 1	REV 0

Mouser Electronics

Authorized Distributor

Click to View Pricing, Inventory, Delivery & Lifecycle Information:

[TE Connectivity:](#)

[5745078-5](#)