

Max. 260 m³/h

DC axial fans

□ 135 x 38 mm



- **Material:** Housing: Die-cast aluminum
Impeller: painted sheet steel
 - **Direction of air flow:** Exhaust over struts
 - **Direction of rotation:** Counterclockwise, looking towards rotor
 - **Connection:** Via single wires AWG 22, TR 64
 - **Highlights:** Housing with grounding lug for screw M4 x 8 (Torx)
48 V design incl. screws.
 - **Weight:** 650 g
- **Possible special versions:** (See chapter DC fans - specials)
 - Speed signal
 - Go / NoGo alarm
 - Alarm with speed limit
 - External temperature sensor
 - Internal temperature sensor
 - PWM control input
 - Analog control input
 - Moisture protection
 - Salt spray protection
 - Degree of protection: IP 54

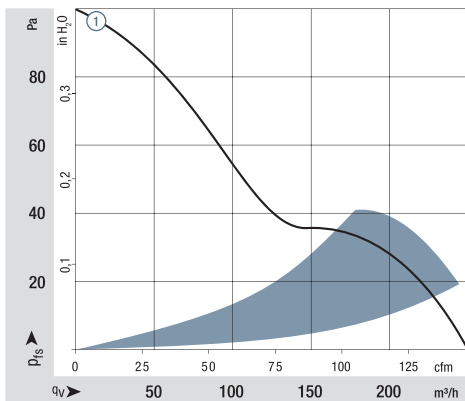
Series 5100 N

Nominal data

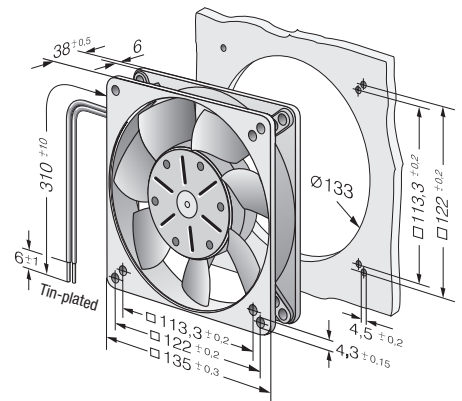
Type	Air flow		Nominal voltage	Voltage range	Sound pressure level	Sound power level	Sinter sleeve bearings Ball bearings	Power consumption*	Nominal speed	Temperature range	Service life L ₁₀ (40 °C) ebm-papst standard	Service life L ₁₀ (T _{max}) ebm-papst standard	Life expectancy L ₁₀ IPC (40 °C) see page 17	Curve
	m ³ /h	cfm												
5112 N	260	153	12	6...15	48	6.1	■	9.5	2 900	-25...+72	80 000 / 37 500	135 000	①	
5114 N	260	153	24	12...30	48	6.1	■	9.5	2 900	-25...+72	80 000 / 37 500	135 000	①	
5118 N	260	153	48	24...60	48	6.1	■	9.5	2 900	-25...+72	80 000 / 37 500	135 000	①	

Subject to change

* Power consumption at free air flow. These values can be significantly higher in the operating point.



Air performance measured according to: ISO 5801.
Installation category A, without contact protection.
Noise: Total sound power level L_{WA} ISO 103002 measured on a hemisphere with a radius of 2 m.
Sound pressure level L_{PA} measured at 1 m distance from fan axis.
The values given are applicable only under the specified measuring conditions and may differ depending on the installation conditions.
In the event of deviation from the standard configuration, the parameters must be checked after installation!
For detailed information see <http://www.ebmpapst.com/general conditions>



Mouser Electronics

Authorized Distributor

Click to View Pricing, Inventory, Delivery & Lifecycle Information:

[ebm-papst:](#)

[5112N](#) [5114N](#) [5118N](#) [5114N/2](#) [5118N/2](#) [5114N/12-039](#) [5112N/17V-031](#)