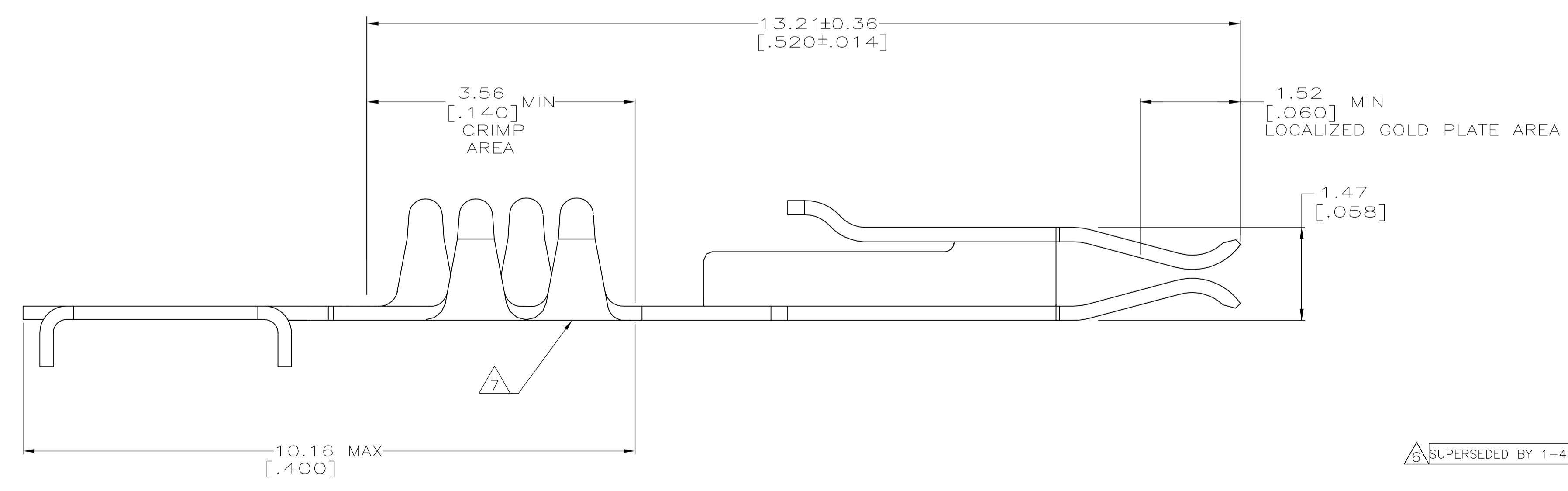
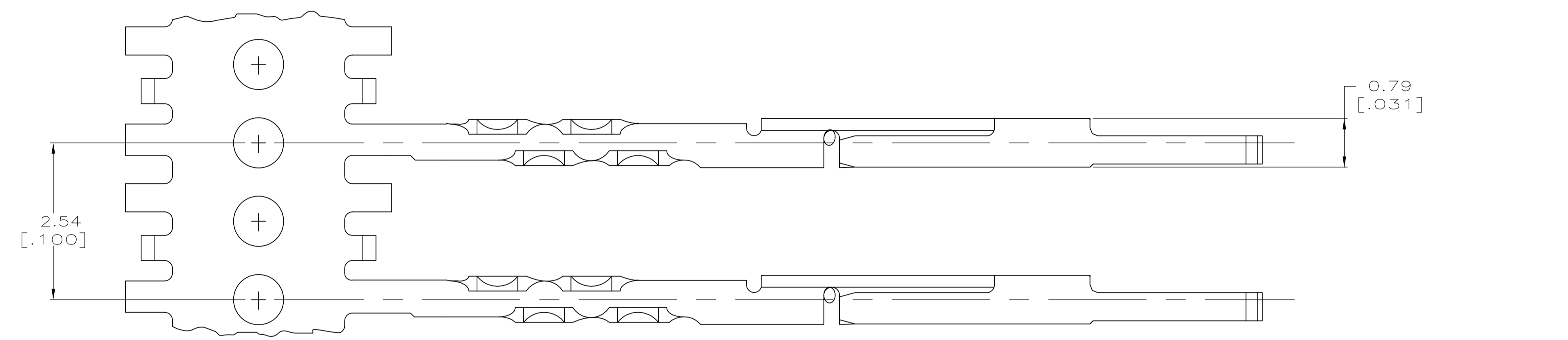
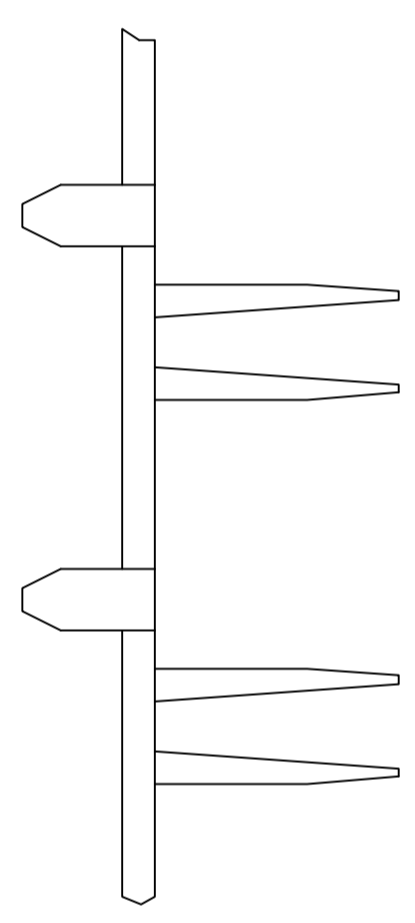


- ⚠ 0.76μm[.000030] MIN GOLD ON LOCALIZED GOLD PLATE AREA, 2.54μm[.000100] MIN TIN-LEAD ON CRIMP AREA, BOTH OVER 1.27μm[.000050] MIN NICKEL ON ENTIRE CONTACT,
-OR-
GOLD FLASH OVER PALLADIUM-NICKEL, 0.76μm[.000030] MIN TOTAL THK ON LOCALIZED GOLD PLATE AREA, 2.54μm[.000100] MIN TIN-LEAD ON CRIMP AREA, BOTH OVER 1.27μm[.000050] MIN THK NICKEL UNDERPLATE ON ENTIRE CONTACT.
- ⚠ 0.38μm[.000015] MIN GOLD ON LOCALIZED GOLD PLATE AREA, 2.54μm[.000100] MIN TIN-LEAD ON CRIMP AREA, BOTH OVER 1.27μm[.000050] MIN NICKEL ON ENTIRE CONTACT,
-OR-
GOLD FLASH OVER PALLADIUM-NICKEL, 0.38μm[.000015] MIN TOTAL THK ON LOCALIZED GOLD PLATE AREA, 2.54μm[.000100] MIN TIN-LEAD ON CRIMP AREA, BOTH OVER 1.27μm[.000050] MIN THK NICKEL UNDERPLATE ON ENTIRE CONTACT.
- 3. ACCEPTS 0.38±0.03[.015±.001] SQUARE POST, 3.18-8.89[.125-.350] LONG.
- ⚠ 0.76μm[.000030] MIN GOLD ON LOCALIZED GOLD PLATE AREA, GOLD FLASH IN CRIMP AREA, BOTH OVER 1.27μm[.000050] MIN NICKEL ON ENTIRE CONTACT,
-OR-
GOLD FLASH OVER PALLADIUM-NICKEL, 0.76μm[.000030] MIN TOTAL THK ON LOCALIZED GOLD PLATE AREA, GOLD FLASH IN CRIMP AREA, BOTH OVER 1.27μm[.000050] MIN THK NICKEL UNDERPLATE ON ENTIRE CONTACT.
- ⚠ 0.38μm[.000015] MIN GOLD ON LOCALIZED GOLD PLATE AREA, GOLD FLASH IN CRIMP AREA, BOTH OVER 1.27μm[.000050] MIN NICKEL ON ENTIRE CONTACT,
-OR-
GOLD FLASH OVER PALLADIUM-NICKEL, 0.38μm[.000015] MIN TOTAL THK ON LOCALIZED GOLD PLATE AREA, GOLD FLASH IN CRIMP AREA, BOTH OVER 1.27μm[.000050] MIN THK NICKEL UNDERPLATE ON ENTIRE CONTACT.
- ⚠ OBSOLETE PARTS: OBSOLETE CIS STREAMLINING PER D.RENAUD/D.SINISI
- ⚠ GOLD PLATING MAY OR MAY NOT BE PRESENT ON BOTTOM OF THE CRIMP BARREL.



| | | |
|--------|---|-------------|
| 7 | 5 | 1-487547-2 |
| 7 | 4 | 1-487547-1 |
| 2 | 1 | 487547-9 |
| 1 | 1 | 487547-1 |
| FINISH | | PART NUMBER |

⚠ SUPERSEDED BY 1-487547-2

| | | | | | |
|--|-------------------------------------|---------|-----------|------------------------------------|--|
| THIS DRAWING IS A CONTROLLED DOCUMENT. | | DIN | 05/05/92 | TE Connectivity | |
| DIMENSIONS: mm [INCHES] | | L.SIPE | 5-13-92 | CONTACT, RECEPTACLE, .050 C/L, FFC | |
| TOLERANCES UNLESS OTHERWISE SPECIFIED: | | R.STONE | | PRODUCT SPEC | |
| 0. PLC | ± - | APVD | | 108-16022 | |
| 1. PLC | ± - | NAME | | APPLICATION SPEC | |
| 2. PLC | ± 0.13 [.005] | SIZE | A1 | 114-16008 | |
| 3. PLC | ± 0.013 [.0005] | WEIGHT | | CUSTOMER DRAWING | |
| 4. PLC | ± - | SCALE | 20:1 | SHEET 1 OF 1 | |
| ANGLES | ± - | REV | R | | |
| MATERIAL | 0.216 [.0085] THICK PHOSPHOR BRONZE | FINISH | SEE TABLE | | |

Mouser Electronics

Authorized Distributor

Click to View Pricing, Inventory, Delivery & Lifecycle Information:

[TE Connectivity:](#)

[1-487547-2](#)