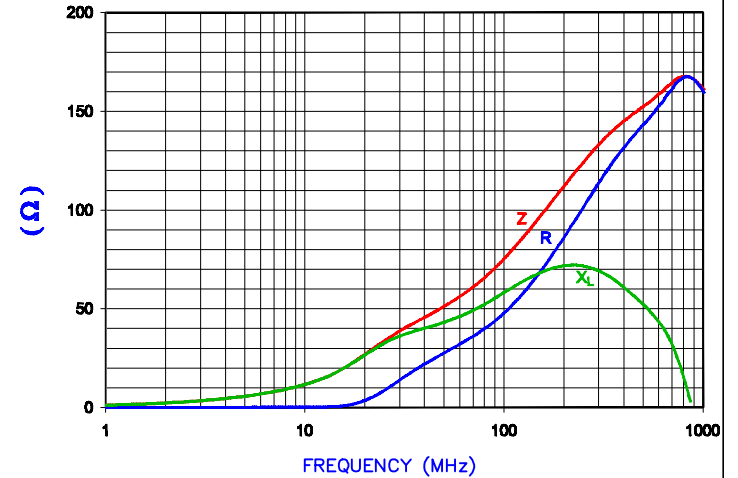


NET IMPEDANCE (Z)			
Frequency	300 MHz	500 MHz	1 GHz
Nominal (REF)	133 Ω	152 Ω	162 Ω
Minimum	- Ω	122 Ω	- Ω

NET Z,R AND X vs. FREQUENCY
(REF. ONLY)

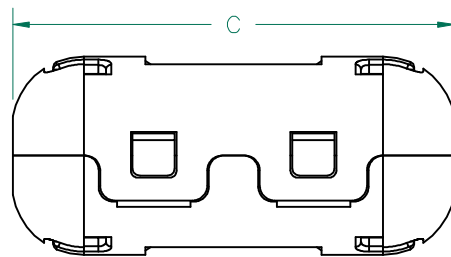
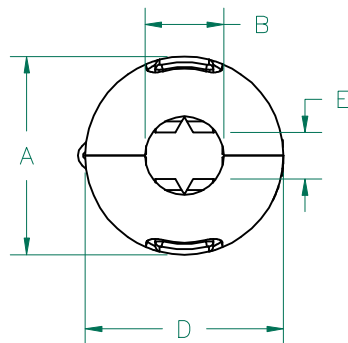


AGILENT E4991A Impedance/Material Analyzer
HP 16092A-Test Fixture, REF 2921

FERRITE CORE DIMENSIONS:

A	9.96 [.392]	\pm	0.15 [.006]
B	4.88 [.192]	\pm	0.13 [.005]
C	20.50 [.807]	\pm	0.25 [.010]
D	4.14 [.163]	\pm	0.13 [.005]

UNCONTROLLED DOCUMENT




NOTES:

- ASSEMBLED PART #: HFA100049-0A2.
- CASE COLOR: BLACK.

CASE DIMENSIONS:

A	13.72 [.540]	\pm	1.00 [.039]
B	5.44 [.214]	\pm	1.00 [.039]
C	30.56 [1.203]	\pm	1.00 [.039]
D	13.72 [.540]	\pm	1.00 [.039]
E	2.29 [.090]	\pm	1.00 [.039]

DIMENSIONS ARE IN mm [INCHES].				This print is the property of Laird Tech. and is loaned in confidence subject to return upon request and with the understanding that no copies shall be made without the written consent of Laird Tech. All rights to design or invention are reserved.			
D	UPDATED LOGO	03/13/13	QIU				
C	UPDATED LOGO AND E DIMENSION	01/18/11	Jcai				
B	UPDATE CORE AND CASE DESIGN CHANGE CASE TOLERANCES TO REF. ADD E DIM TO CASE REMOVE CORE & CASE P/N REFERENCE REVISE NOTES	08/23/06	TMB	PROJECT/PART NUMBER:	REV	PART TYPE:	DRAWN BY:
A	ORIGINAL DRAFT	07/30/04	JRK	HFA100049-0A2	D	FERRITE SNAP-ON	JRK
REV	DESCRIPTION	DATE	INT	DATE:	SCALE:	MATERIAL:	
				07/30/04	NTS	FERRITE	
				CAD #	TOOL #		
				HFA100049-0A2-D			

Mouser Electronics

Authorized Distributor

Click to View Pricing, Inventory, Delivery & Lifecycle Information:

Laird:

[HFA100049-0A2](#)