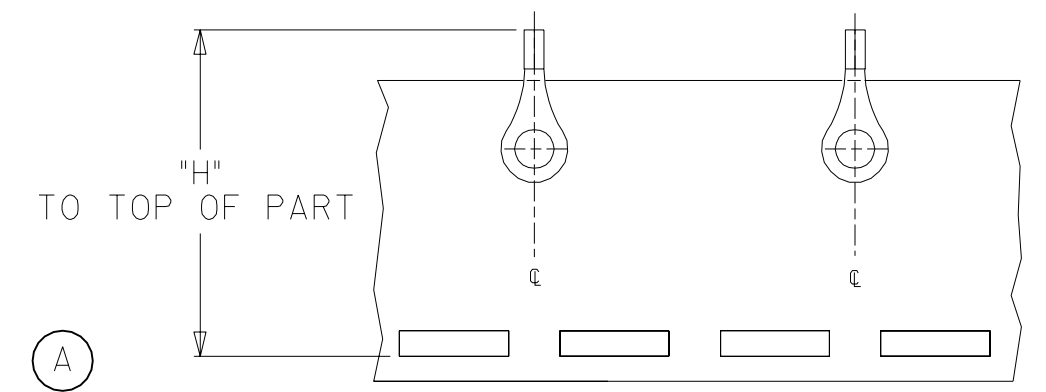
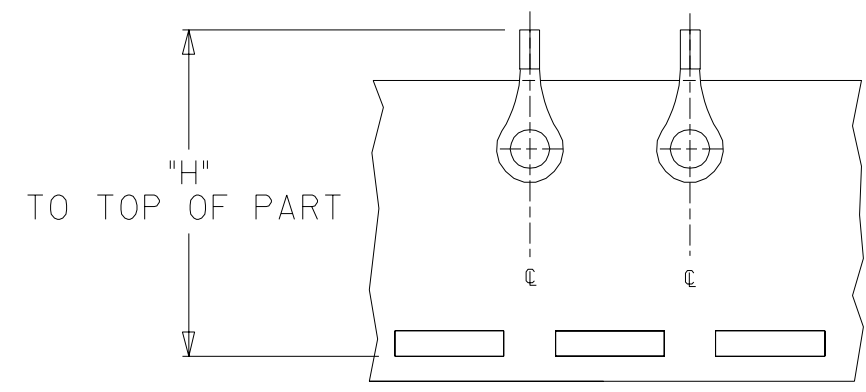
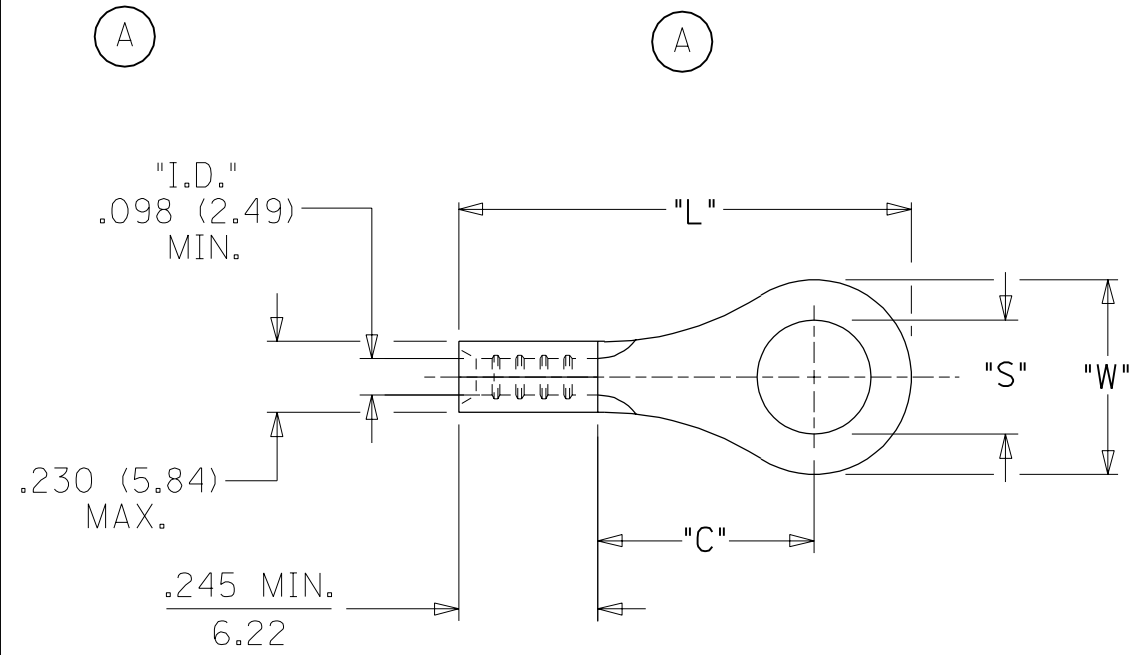


MATERIAL NO. LOOSE PIECE	ENG. NO.	MATERIAL NO. TAPE MOUNTED	ENG. NO.	STUD SIZE	±.003 "S"	"W" MAX. (A)	"C" MIN.	"L" MAX.	"H" ±.020/0.51 (A)
190440137	B-101-12HD	190440138	B-101-12HDT	12	.515 (13.10)	.760 (19.30)	.611 (15.52)	1.280 (32.51)	1.556 (39.52)
190440139	B-101-14HD	-----	-----	14	.265 (6.73)				
190440140	B-101-38HD	-----	-----	38	.390 (9.91)				
190440141	B-101-56HD	-----	-----	56	.328 (8.33)				
190440142	B-101-76HD	190440229	B-101-76HDT	76	.453 (11.51)	.385 (9.78)	.303 (7.70)	.785 (19.94)	
190440161	B-128-06HD	-----	-----	6	.146 (3.71)				
190440162	B-128-08HD	-----	-----	8	.173 (4.39)				
190440163	B-128-10HD	190440164	B-128-10HDT	10	.198 (5.03)	.540 (13.72)	.393 (9.98)	.952 (24.18)	1.234 (31.34)
190440166	B-130-10HD	190440022	B-130-10HDT	10	.198 (5.03)				
190440167	B-130-14HD	190440023	B-130-14HDT	14	.265 (6.73)	.292 (7.42)	(A) .303 (7.70)	.741 (18.82)	
190440168	B-130-56HD	190440024	B-130-56HDT	56	.328 (8.33)				
190440172	B-136-04HD	-----	-----	4	.119 (3.02)				
190440173	B-136-06HD	190440026	B-136-06HDT	6	.146 (3.71)	.598 (15.19)	.466 (11.84)	1.056 (26.82)	1.426 (36.22)
190440174	B-136-08HD	190440027	B-136-08HDT	8	.173 (4.39)				
190440180	B-140-10HD	-----	-----	10	.198 (5.03)				
190440182	B-140-14HD	190440183	B-140-14HDT	14	.265 (6.73)				
190440184	B-140-38HD	190440185	B-140-38HDT	38	.390 (9.91)	.328 (8.33)			
190440186	B-140-56HD	190440187	B-140-56HDT	56	.328 (8.33)				



SALES DRAWING

NOTE(S):
 1. MATERIAL: COPPER (.050/1.27 THICK)
 2. PLATING: ELECTROPLATE TIN.
 3. ALL DIMENSIONS IN INCHES/(MM).

WIRE SIZE: 16-14 AWG
 1.0 - 2.5 MM²

UPDATE TO MX STDS. EC NO. ETC2003-0203 DRWN: DLM 04/05/05 CHK: HB 04/05/05 APPR: RWD 04/05/05	QUALITY SYMBOLS MAJOR $\nabla = \emptyset$ CRITICAL $\nabla C = \emptyset$	GENERAL TOLERANCES: (UNLESS SPECIFIED)	SCALE: NTS DESIGN UNITS: <input type="checkbox"/> mm <input checked="" type="checkbox"/> INCH	DIMENSIONS: <input type="checkbox"/> mm <input checked="" type="checkbox"/> INCH <input type="checkbox"/> mm ONLY	SHT REV REVISE ON CAD ONLY	
	DESCRIPTION:	mm INCH 4 PLACES ±0.----- ±.----- 3 PLACES ±0.--- ±.005 2 PLACES ±0.13 ±.010 1 PLACE ±0.25 ±.---	DRAWN BY & DATE: DLM 03/02/28 CHECKED BY & DATE: SB 03/02/28 APPROVED BY & DATE: RWD 03/02/28	TITLE: RING TONGUE TERMINAL HEAVY-DUTY KRIMPTITE 16-14 AWG		
	REV: A	ANGULAR: ±1/2°	CAD FILENAME: SD19044008.DGN MATERIAL NO. (SEE CHART)	MOLEX INCORPORATED		
	DRAFT WHERE APPLICABLE MUST REMAIN WITHIN DIMENSIONS	THIS DRAWING CONTAINS INFORMATION THAT IS PROPRIETARY TO MOLEX INCORPORATED AND SHOULD NOT BE USED WITHOUT WRITTEN PERMISSION.	DRAWING NO. SD-19044-008 SHEET NO. 1 OF 1	SIZE B		

Mouser Electronics

Authorized Distributor

Click to View Pricing, Inventory, Delivery & Lifecycle Information:

[Molex:](#)

[19044-0139](#)