

THIS DRAWING IS UNPUBLISHED.

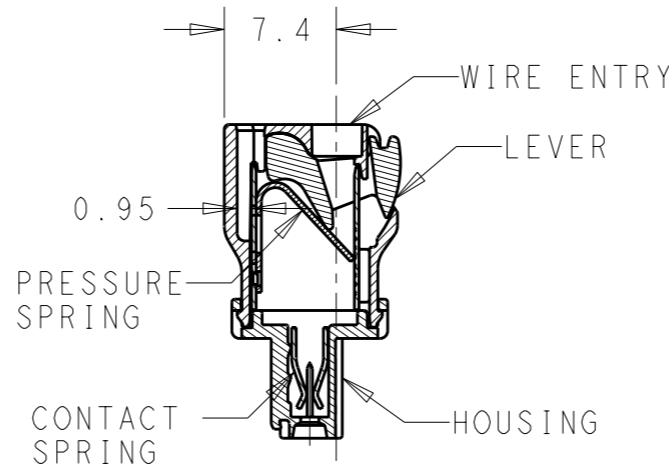
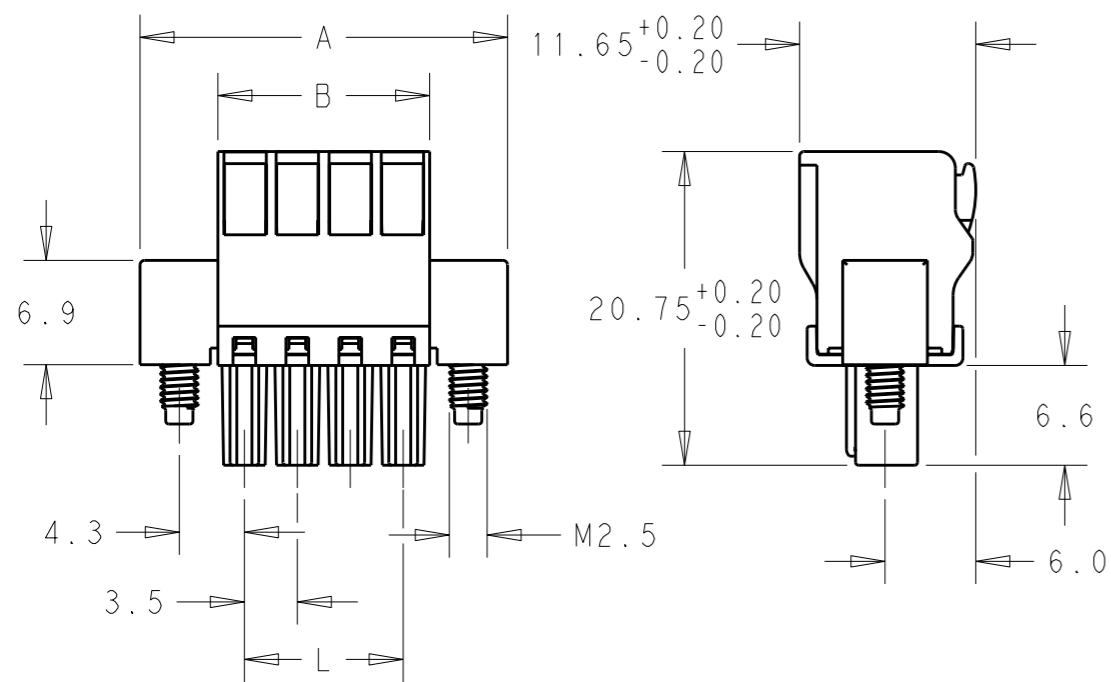
RELEASED FOR PUBLICATION

2011

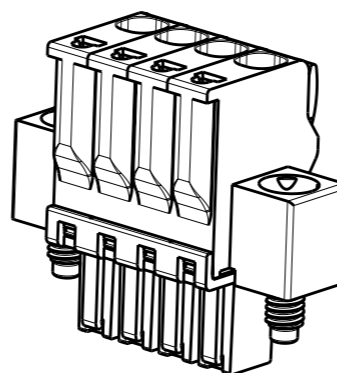
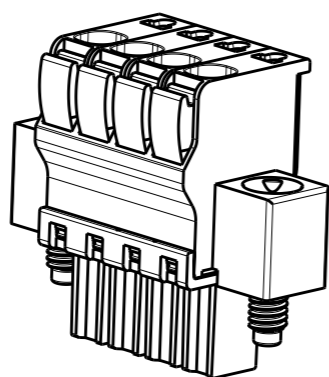
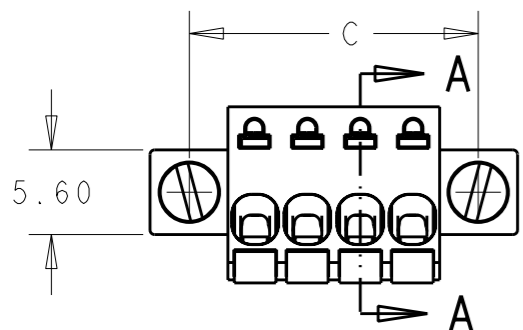
© COPYRIGHT 2011

ALL RIGHTS RESERVED.

LOC	DIST	REVISIONS				
P	LTR	DESCRIPTION	DATE	DWN	APVD	
AI	-	A	REVISD PER ECO-12-002880	15FEB12	KH	MS



SECTION A - A



77.00	85.60	90.80	80.50	23	2-1986725-3
73.50	82.10	87.30	77.00	22	2-1986725-2
70.00	78.60	83.80	73.50	21	2-1986725-1
66.50	75.10	80.30	70.00	20	2-1986725-0
63.00	71.60	76.80	66.50	19	1-1986725-9
59.50	68.10	73.30	63.00	18	1-1986725-8
56.00	64.60	69.80	59.50	17	1-1986725-7
52.50	61.10	66.30	56.00	16	1-1986725-6
49.00	57.60	62.80	52.50	15	1-1986725-5
45.50	54.10	59.30	49.00	14	1-1986725-4
42.00	50.60	55.80	45.50	13	1-1986725-3
38.50	47.10	52.30	42.00	12	1-1986725-2
35.00	43.60	48.80	38.50	11	1-1986725-1
31.50	40.10	45.30	35.00	10	1-1986725-0
28.00	36.60	41.80	31.50	9	1986725-9
24.50	33.10	38.30	28.00	8	1986725-8
21.00	29.60	34.80	24.50	7	1986725-7
17.50	26.10	31.30	21.00	6	1986725-6
14.00	22.60	27.80	17.50	5	1986725-5
10.50	19.10	24.30	14.00	4	1986725-4
7.00	15.60	20.80	10.50	3	1986725-3
3.50	12.10	17.30	7.00	2	1986725-2
DIM L +/-0.1	DIM C	DIM A	DIM B	POLE	PART NUMBER

MATERIALS
 HOUSING-POLYAMIDE, COLOR-GREEN
 LEVER-POLYAMIDE, COLOR ORANGE
 CONTACT SPRING-COPPER ALLOY-LEAD FREE TIN PLATED
 CLAMPING SPRING-STEEL

MECHANICAL
 INSERTION FORCE PER POLE- 3 NEWTON MAX
 WITHDRAWAL FORCE PER POLE- 1.5 NEWTON MIN
 STRIPPING LENGTH- 10.5 TO 11.5 MM
 OPERATING TEMPERATURE--40°C TO +110°C

ELECTRICAL
 WIRE SIZE= 30 TO 14 AWG SOLID OR STRANDED
 VOLTAGE RATING- 300 VOLTS
 CURRENT RATING- 11 AMP STRANDED; 9AMP SOLID
 CONTACT RESISTANCE-15 MILLOHM MAX
 INSULATION RESISTANCE-10⁹ OHMS MIN (500V DC)

THIS DRAWING IS A CONTROLLED DOCUMENT.		DWN 13 JAN 2012 KIRAN HOLAL	TE Connectivity													
DIMENSIONS: mm		CHK 13 JAN 2012 MIKE SARVER														
TOLERANCES UNLESS OTHERWISE SPECIFIED:		APVD 13 JAN 2012 MIKE SARVER	NAME STRAIGHT SPRING TYPE PLUG CONNECTOR, LEFT SIDE, LOCKING W/FLANGES 02 - 23 POLES, PITCH 3.50mm													
<table border="1"> <tr><td>0 PLC</td><td>±-</td></tr> <tr><td>1 PLC</td><td>±0.40</td></tr> <tr><td>2 PLC</td><td>±0.20</td></tr> <tr><td>3 PLC</td><td>±-</td></tr> <tr><td>4 PLC</td><td>±-</td></tr> <tr><td>ANGLES</td><td>±1°</td></tr> </table>		0 PLC	±-	1 PLC	±0.40	2 PLC	±0.20	3 PLC	±-	4 PLC	±-	ANGLES	±1°	PRODUCT SPEC	SIZE CAGE CODE DRAWING NO RESTRICTED TO	
0 PLC	±-															
1 PLC	±0.40															
2 PLC	±0.20															
3 PLC	±-															
4 PLC	±-															
ANGLES	±1°															
MATERIAL - FINISH -		APPLICATION SPEC	A300779 C-1986725													
		WEIGHT -	CUSTOMER DRAWING SCALE 2:1 SHEET 1 OF 1 REV A													

Mouser Electronics

Authorized Distributor

Click to View Pricing, Inventory, Delivery & Lifecycle Information:

[TE Connectivity:](#)

[2-1986725-0](#)