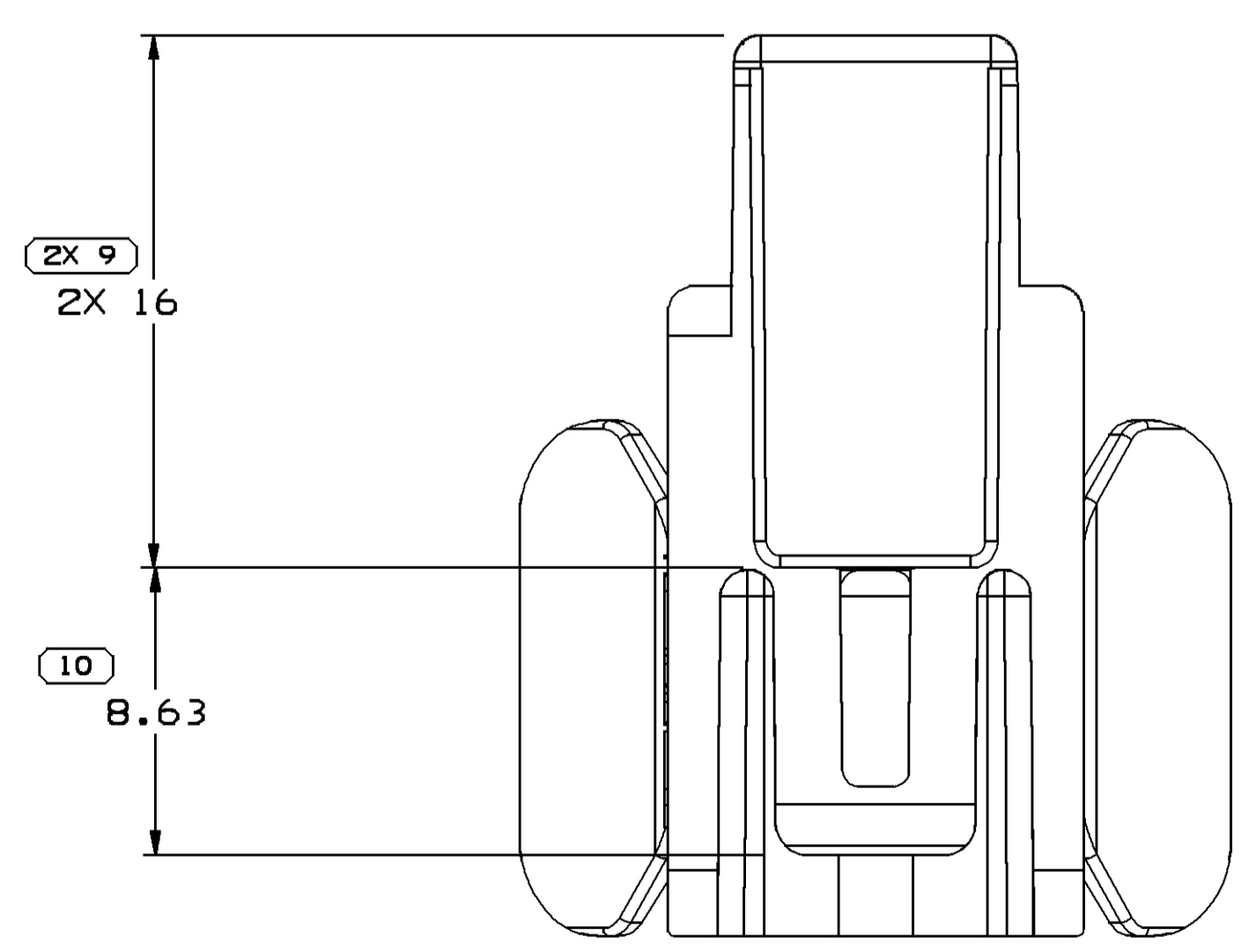
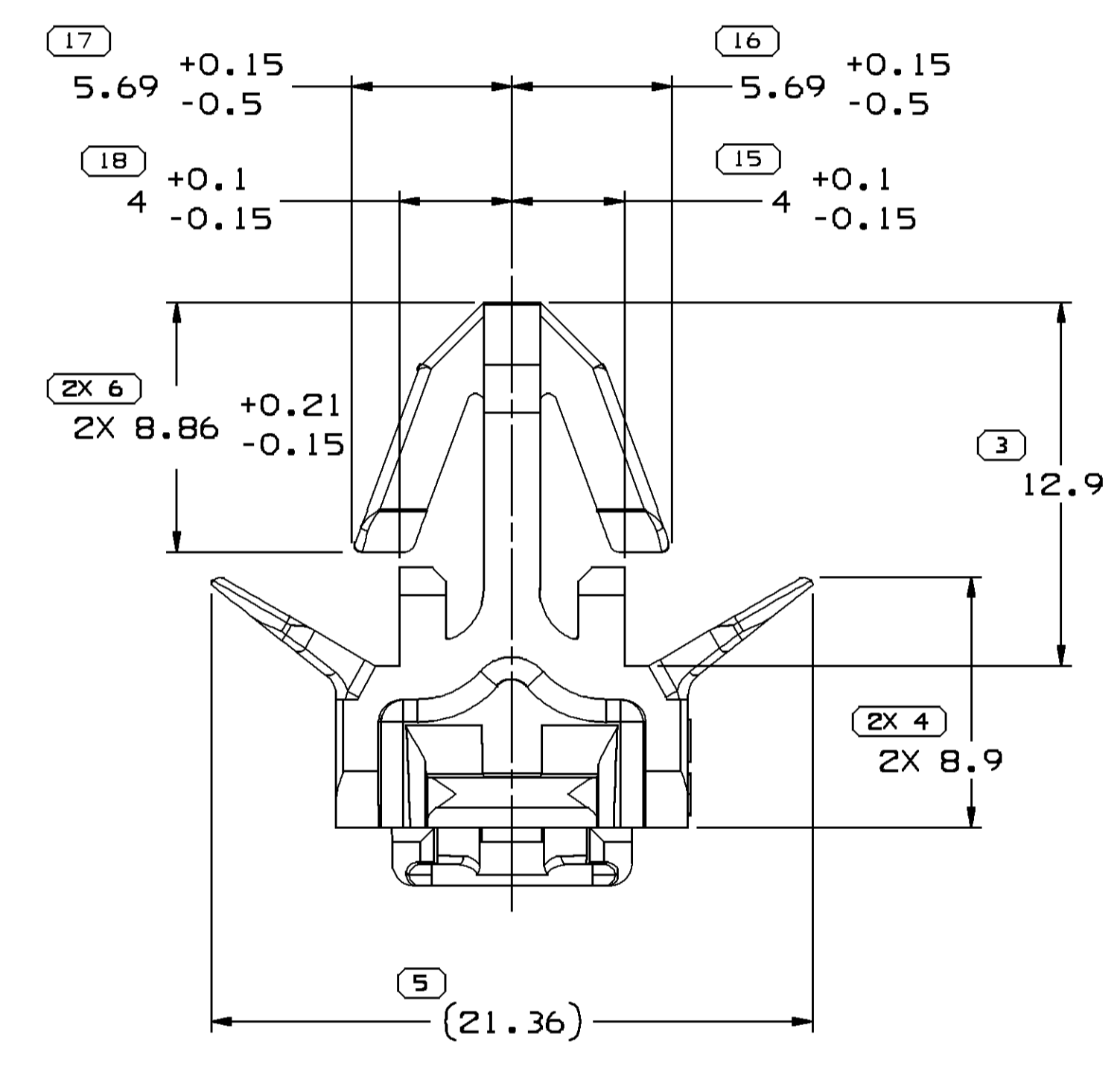
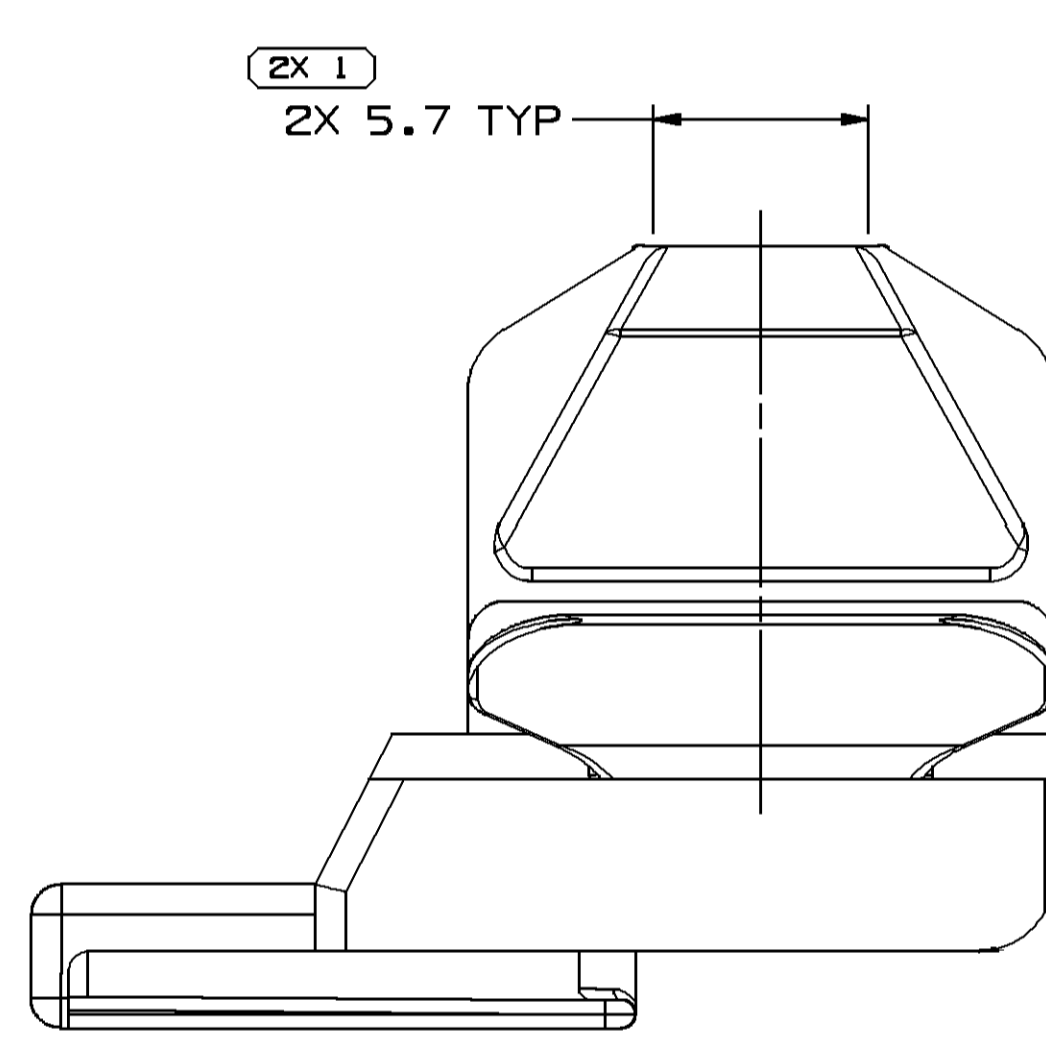
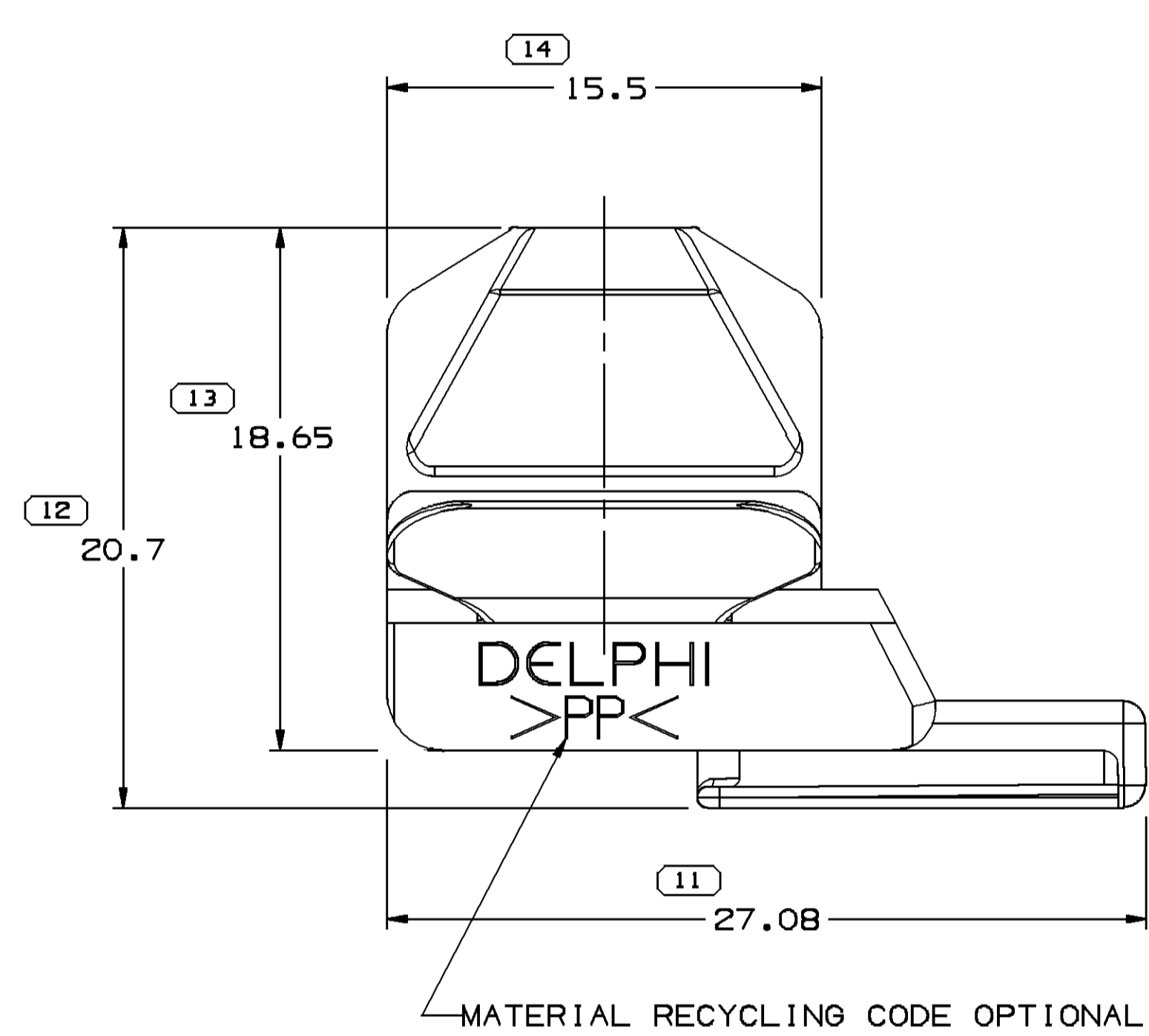
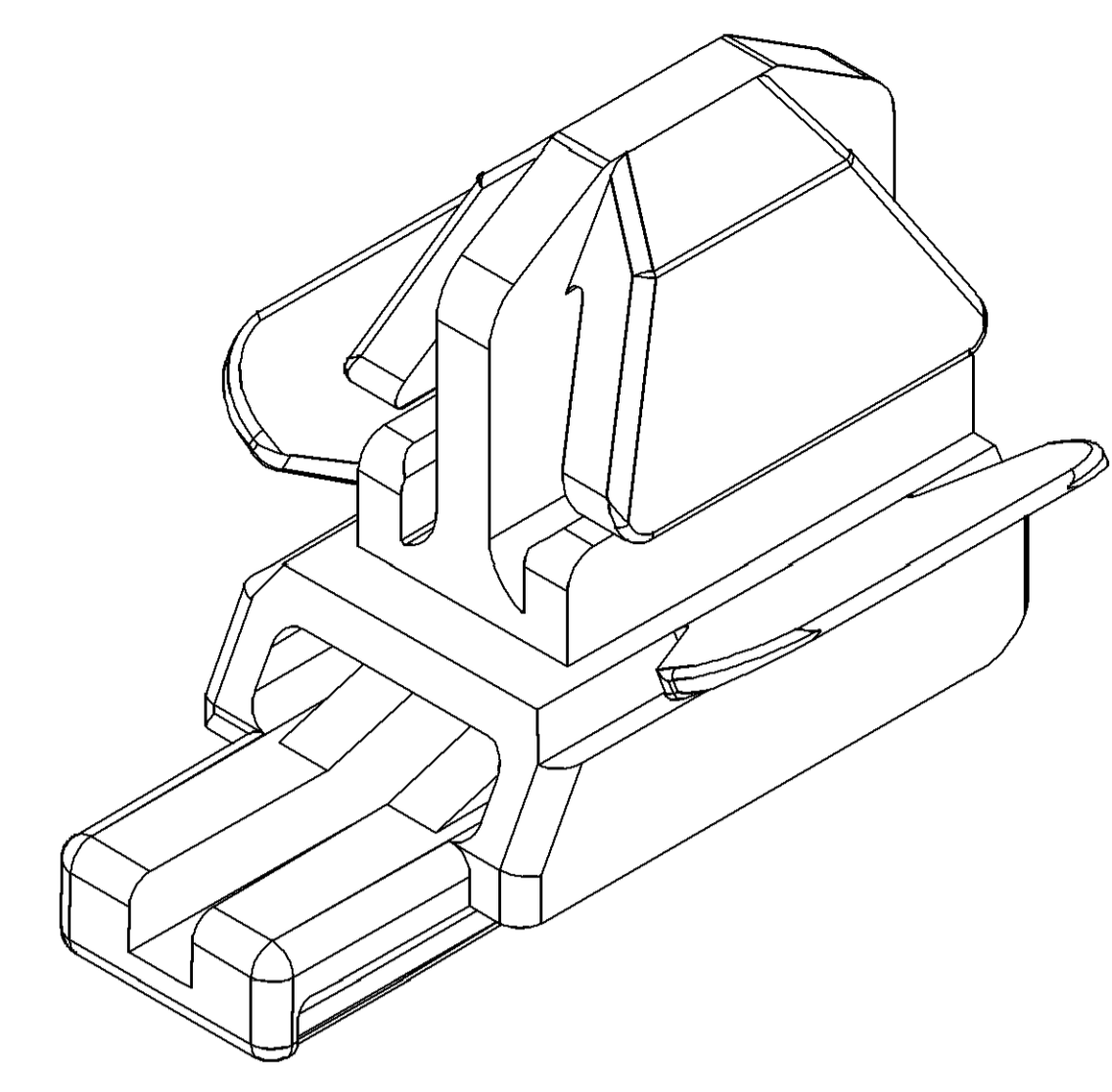
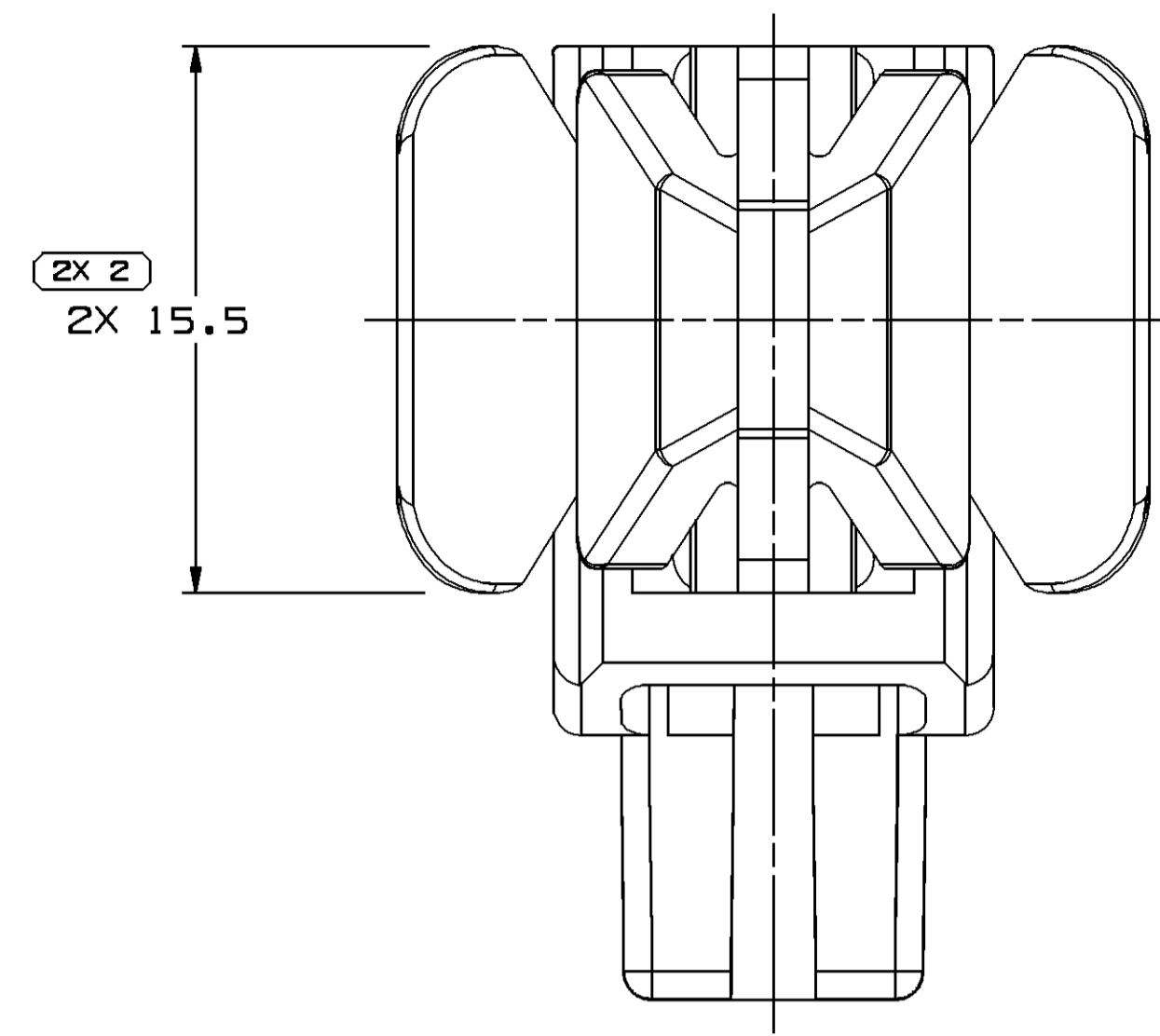


SYMBOL DEFINITION		MISSING SYMBOLS		DWS STATUS				REVISION HISTORY				AUTH			
A DIMENSION WITHOUT AN INSPECTION REPORT SYMBOL DOES NOT REQUIRE INSPECTION. IT MAY BE CONTROLLED ON THE INDIVIDUAL COMPONENT DRAWING.		TOTAL NO OF INSPECTIONS REQUIRED		DATE	STG	REV	N/P	CHG	ZONE	15401328 - WAS SEPARATE DRAWING; 1397302B - RELEASED				418845	AGM/AGM/MAA
		21	7-B	23JUL12	R	01	-	-							
		LAST NO. USED													
		18													



- NOTES**
- UNLESS OTHERWISE SPECIFIED AND/OR INDICATED:  
DIMENSIONS ARE TO FACE OF VIEW SHOWN AND AUTOMATICALLY ROUNDED BY COMPUTER FOR INSPECTION (SEE MATH MODEL FOR PRECISE DIMENSIONS). FOR ALL OTHER DIMENSIONS NOT SHOWN BUT REQUIRED FOR TOOL BUILD, SEE MATH MODEL FOR PRECISE TOOL PATH DATA.
  - MATERIAL RECYCLING CODE PER ISO 11469. (1.5)X(0.1) CHARACTERS AS SHOWN TO BE LOCATED ON ANY EXTERIOR SURFACE. OPTIONAL CONSTRUCTION TO BE NO MATERIAL RECYCLING CODE.
  - PART TO FIT RECTANGULAR HOLE (8.5 ±0.25) X (16 ±0.25) WITH STOCK THICKNESS OF 0.7 - 3 MM.
  - (1.5)X(0.1) DELPHI CORPORATE BRAND TO BE LOCATED ON ANY EXTERIOR SURFACE, PREFERABLY VISIBLE AT FINAL ASSEMBLY. OPTIONAL CONSTRUCTION FOR EXISTING TOOLING MAY BE "PED".
  - THIS PRODUCT IS NOT CATEGORIZED AS AN APPEARANCE ITEM. MINOR IMPERFECTIONS INCLUDING, BUT NOT LIMITED TO, FLOW MARKS, COLOR BLEMISHES, GATE VESTIGE, AND SOFT FLASH THAT DO NOT AFFECT THE FIT, FORM, OR FUNCTION OF THE PART ARE PERMISSIBLE PER DPNP-4.7-CS-01.

15401328	03	AB	POLYPROPYLENE COMPOUND GRAY	2.100
1397302B	01	-	POLYPROPYLENE COMPOUND BLACK	2.100
PART NO	REV	N/P	MATERIAL SPECIFICATION AND COLOR	VOLUME CM <sup>3</sup>

DIMENSIONAL RANGE (MM)		CHART SET	
FROM	TO	>	>
0	20	20	30
20	30	30	40
30	40	40	50
40	50	50	60
50	60	60	70
60	70	70	80
70	80	80	90
80	90	90	100
90	100	100	125
100	125	125	150
125	150	150	200
150	200	200	250
200	250	250	300
250	300	300	400
TOLERANCE UNLESS OTHERWISE SPECIFIED		ANGULAR TOLERANCE ±2°	
±0.15	±0.2	±0.3	±0.4
±0.5	±0.6	±1	±1.2

**DELPHI**  
DELPHI PACKARD ELECTRICAL/ELECTRONIC ARCHITECTURE  
WARREN, OH  
COPYRIGHT 2012 DELPHI CORPORATION AND/OR ITS AFFILIATES. ALL RIGHTS RESERVED.  
THIS DRAWING IS THE PROPERTY OF DELPHI CORPORATION. THE REPRODUCTION, DISTRIBUTION AND UTILIZATION OF THIS DOCUMENT OR ITS RELATED CAD DATA, AS WELL AS COMMUNICATION OF ANY CONTENT TO OTHERS, WITHOUT EXPRESS AUTHORIZATION IS PROHIBITED.

OR	DATE
APV01 ALLAN G. MARTINEZ	23JUL12
APV02 ALLAN G. MARTINEZ	23JUL12
APV03 MATTHEW A. ANTIL	23JUL12
APV04	
APV05	

UNLESS OTHERWISE SPECIFIED  
THIS DOCUMENT IS IN ACCORDANCE WITH ASME Y14.5M-1994 AS MODIFIED BY THE 2003 DIMENSIONING AND TOLERANCING ADDENDUM - 1997. ALL GEOMETRIC TOLERANCES AND RELATED DATUMS APPLY. RULE #1 (FITTEST FORM AT MFC) DOES NOT APPLY WHEN RELATIONSHIP BETWEEN FEATURES IS ESTABLISHED BY ORIENTATION OR LOCATION TOLERANCES. SEPARATE POSITION CALLOUTS MAY BE GAGED SEPARATELY, IRRESPECTIVE OF DATUM REFERENCE.  
ALL DIMENSIONS ARE IN MILLIMETERS

REFERENCE:

DO NOT SCALE  
USE MATH DATA

DRAWING NUMBER: 13973029

SIZE	SCALE	FRAME NO	SHEET NO	STG	REV	N/P
A0	5:1	1 OF 1	1 OF 1	R	01	-

# Mouser Electronics

Authorized Distributor

Click to View Pricing, Inventory, Delivery & Lifecycle Information:

[Aptiv:](#)

[15401440](#) [15401328-B](#)