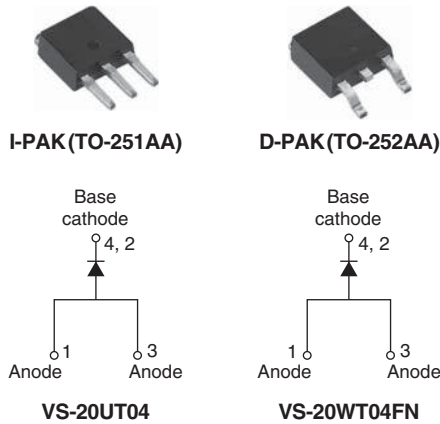


## High Performance Schottky Generation 5.0, 20 A



### FEATURES

- 175 °C high performance Schottky diode
- Very low forward voltage drop
- Extremely low reverse leakage
- Optimized  $V_F$  vs.  $I_F$  trade off for high efficiency
- Increased ruggedness for reverse avalanche capability
- RBSOA available
- Negligible switching losses
- Submicron trench technology
- Compliant to RoHS Directive 2002/95/EC


**RoHS**  
COMPLIANT

PRODUCT SUMMARY	
Package	D-PAK (TO-252AA), I-PAK (TO-251AA)
$I_{F(AV)}$	20 A
$V_R$	45 V
$V_F$ at $I_F$	0.53 V
$I_{RM}$ max.	7 mA at 125 °C
$T_J$ max.	175 °C
Diode variation	Single die
$E_{AS}$	108 mJ

#### Note

- $V_F$  measured at 125 °C, connecting 2 anode pins

### APPLICATIONS

- Specific for PV cells bypass diode
- High efficiency SMPS
- High frequency switching
- Output rectification
- Reverse battery protection
- Freewheeling
- DC/DC systems
- Increased power density systems

MAJOR RATINGS AND CHARACTERISTICS			
SYMBOL	CHARACTERISTICS	VALUES	UNITS
$V_{RRM}$		45	V
$V_F$	20 Apk, $T_J = 125$ °C (typical, measured connecting 2 anode pins)	0.480	V
$T_J$	Range	- 55 to 175	°C

VOLTAGE RATINGS				
PARAMETER	SYMBOL	TEST CONDITIONS	VS-20UT04 VS-20WT04FN	UNITS
Maximum DC reverse voltage	$V_R$	$T_J = 25$ °C	45	V



ABSOLUTE MAXIMUM RATINGS					
PARAMETER	SYMBOL	TEST CONDITIONS		VALUES	UNITS
Maximum average forward current	$I_{F(AV)}$	50 % duty cycle at $T_C = 153\text{ }^\circ\text{C}$ , rectangular waveform		20	A
Maximum peak one cycle non-repetitive surge current	$I_{FSM}$	5 $\mu\text{s}$ sine or 3 $\mu\text{s}$ rect. pulse	Following any rated load condition and with rated $V_{RRM}$ applied <sup>(1)</sup>	900	A
		10 ms sine or 6 ms rect. pulse		220	
Non-repetitive avalanche energy	$E_{AS}$	$T_J = 25\text{ }^\circ\text{C}$ , $I_{AS} = 7\text{ A}$ , $L = 4.4\text{ mH}$		108	mJ
Repetitive avalanche current	$I_{AR}$	Limited by frequency of operation and time pulse duration so that $T_J < T_J\text{ max.}$ $I_{AS}$ at $T_J\text{ max.}$ as a function of time pulse		$I_{AS}$ at $T_J\text{ max.}$	A

**Note**

<sup>(1)</sup> Measured connecting 2 anode pins

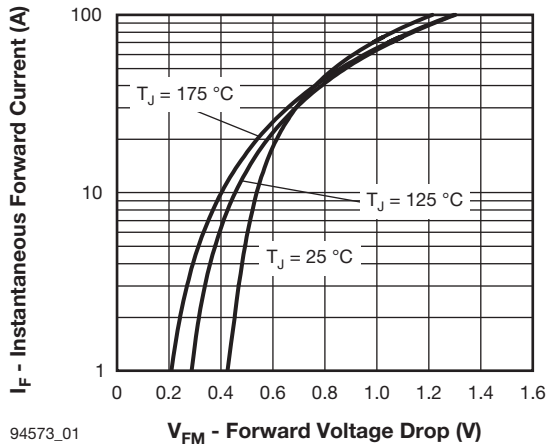
ELECTRICAL SPECIFICATIONS						
PARAMETER	SYMBOL	TEST CONDITIONS		TYP.	MAX.	UNITS
Forward voltage drop	$V_{FM}$ <sup>(1)(2)</sup>	10 A	$T_J = 25\text{ }^\circ\text{C}$	0.505	0.540	V
		20 A		0.570	0.610	
		10 A	$T_J = 125\text{ }^\circ\text{C}$	0.415	0.450	
		20 A		0.520	0.580	
Reverse leakage current	$I_{RM}$ <sup>(1)</sup>	$T_J = 25\text{ }^\circ\text{C}$	$V_R = \text{Rated } V_R$	-	100	$\mu\text{A}$
		$T_J = 125\text{ }^\circ\text{C}$		-	7	mA
Junction capacitance	$C_T$	$V_R = 5\text{ V}_{DC}$ (test signal range 100 kHz to 1 MHz), $25\text{ }^\circ\text{C}$		1900	-	pF
Series inductance	$L_S$	Measured lead to lead 5 mm from package body		-	-	nH
Maximum voltage rate of change	dV/dt	Rated $V_R$		-	10 000	V/ $\mu\text{s}$

**Notes**

<sup>(1)</sup> Pulse width < 300  $\mu\text{s}$ , duty cycle < 2 %

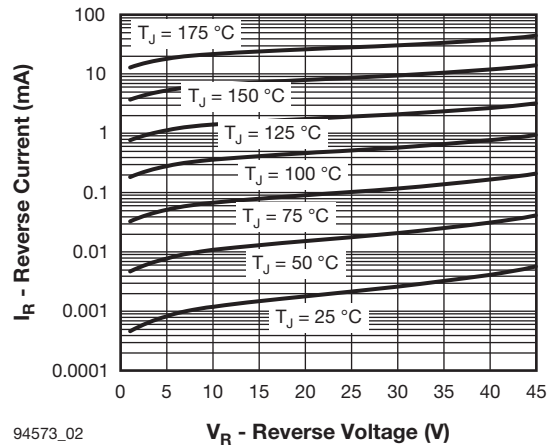
<sup>(2)</sup> Only 1 anode pin connected

THERMAL - MECHANICAL SPECIFICATIONS					
PARAMETER	SYMBOL	TEST CONDITIONS		VALUES	UNITS
Maximum junction and storage temperature range	$T_J, T_{Stg}$			- 55 to 175	$^\circ\text{C}$
Maximum thermal resistance, junction to case	$R_{thJC}$	DC operation		1.2	$^\circ\text{C/W}$
Typical thermal resistance, case to heatsink	$R_{thCS}$			0.3	
Approximate weight				2	g
				0.07	oz.
Marking device		Case style I-PAK		20UT04	
		Case style D-PAK		20WT04FN	



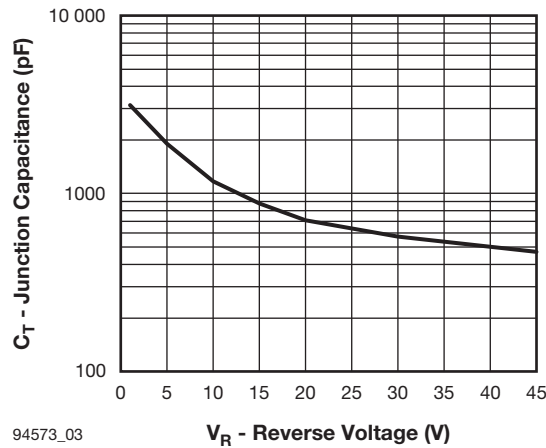
94573\_01

Fig. 1 - Maximum Forward Voltage Drop Characteristics



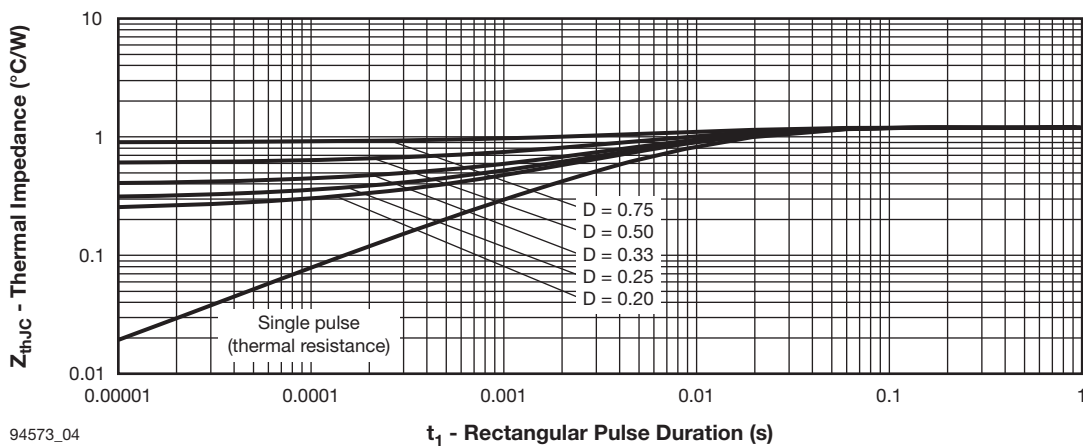
94573\_02

Fig. 2 - Typical Values of Reverse Current vs. Reverse Voltage



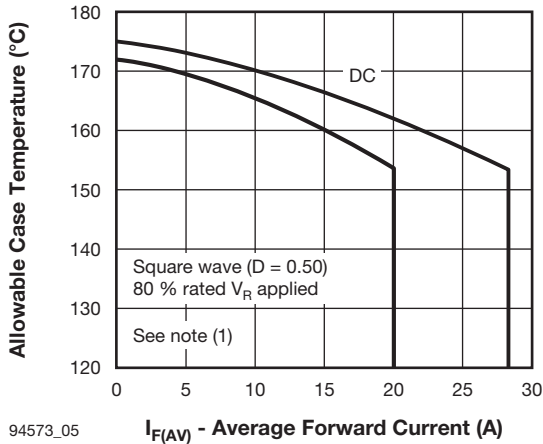
94573\_03

Fig. 3 - Typical Junction Capacitance vs. Reverse Voltage



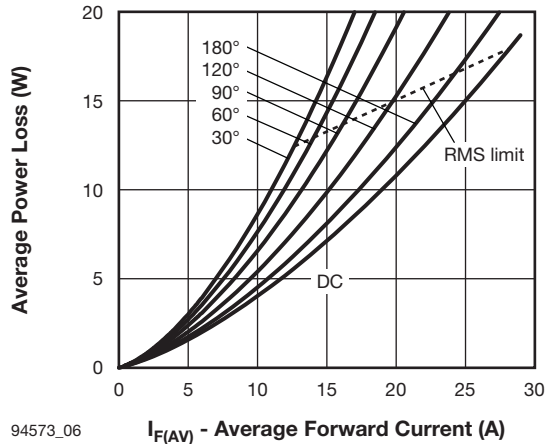
94573\_04

Fig. 4 - Maximum Thermal Impedance  $Z_{thJC}$  Characteristics



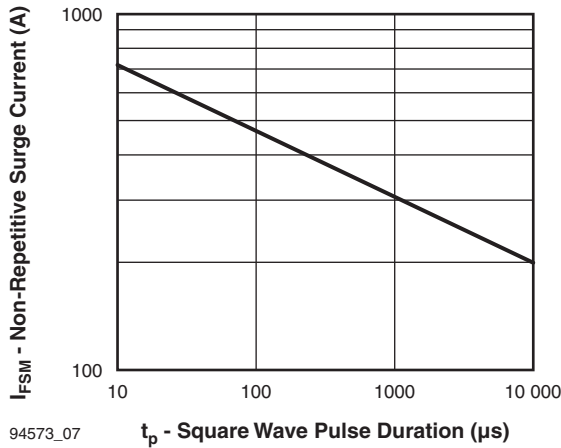
94573\_05

Fig. 5 - Maximum Allowable Case Temperature vs. Average Forward Current



94573\_06

Fig. 6 - Forward Power Loss Characteristics

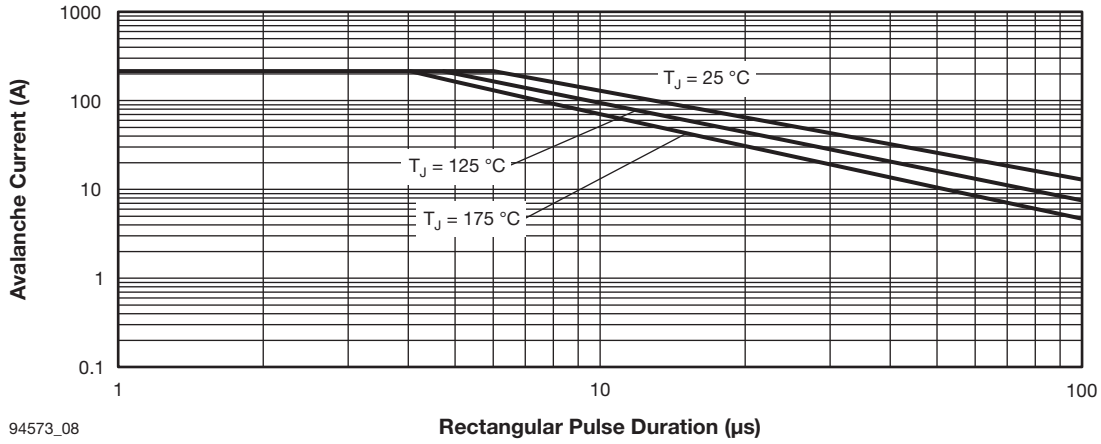


94573\_07

Fig. 7 - Maximum Non-Repetitive Surge Current

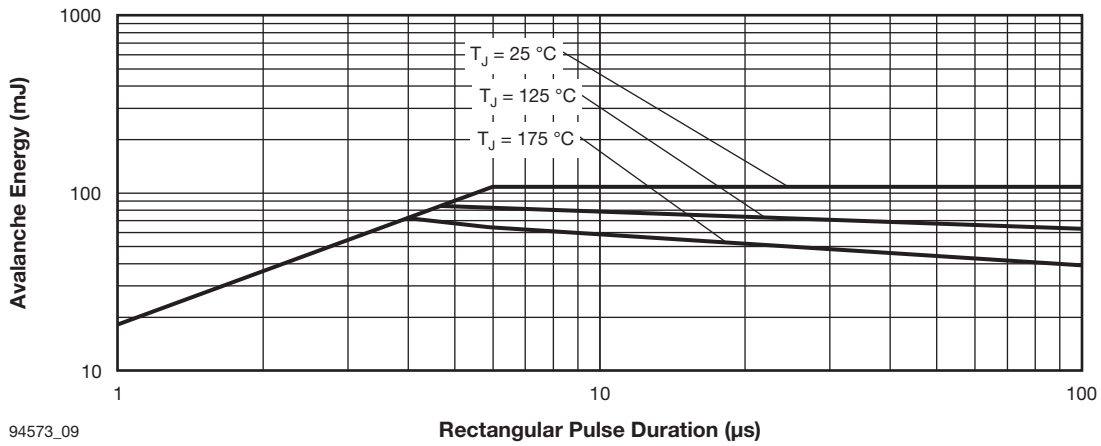
**Note**

- (1) Formula used:  $T_C = T_J - (P_d + P_{d_{REV}}) \times R_{thJC}$ ;
- $P_d$  = Forward power loss =  $I_{F(AV)} \times V_{FM}$  at  $(I_{F(AV)}/D)$  (see fig. 6);
- $P_{d_{REV}}$  = Inverse power loss =  $V_{R1} \times I_R (1 - D)$ ;  $I_R$  at  $V_{R1} = 80\%$  rated  $V_R$



94573\_08

Fig. 8 - Reverse Bias Safe Operating Area (Avalanche Current vs. Rectangular Pulse Duration)

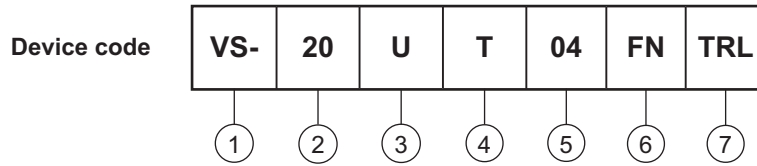


94573\_09

Fig. 9 - Reverse Bias Safe Operating Area (Avalanche Energy vs. Rectangular Pulse Duration)



## ORDERING INFORMATION TABLE

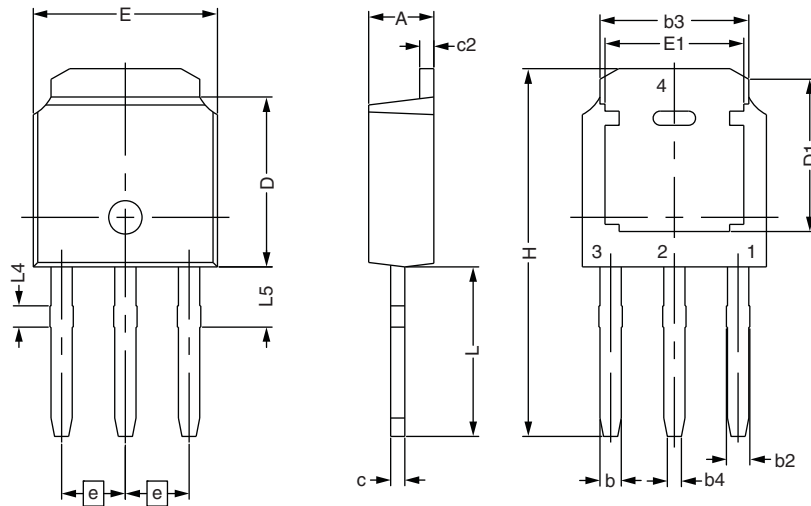


- 1** - Vishay Semiconductors product
- 2** - Current rating (20 A)
- 3** - Package:
  - U = I-PAK
  - W = D-PAK
- 4** - T = Trench
- 5** - Voltage code (45 V)
- 6** - TO-252AA (D-PAK)
- 7** - D-PAK, I-PAK:
  - None = Tube (75 pieces)
  - D-PAK only:
    - TR = Tape and reel
    - TRL = Tape and reel (left oriented)
    - TRR = Tape and reel (right oriented)

LINKS TO RELATED DOCUMENTS		
Dimensions	I-PAK (TO-251AA)	<a href="http://www.vishay.com/doc?95024">www.vishay.com/doc?95024</a>
	D-PAK (TO-252AA)	<a href="http://www.vishay.com/doc?95448">www.vishay.com/doc?95448</a>
Part marking information	I-PAK (TO-251AA)	<a href="http://www.vishay.com/doc?95025">www.vishay.com/doc?95025</a>
	D-PAK (TO-252AA)	<a href="http://www.vishay.com/doc?95059">www.vishay.com/doc?95059</a>
Packaging information		<a href="http://www.vishay.com/doc?95033">www.vishay.com/doc?95033</a>
SPIICE model		<a href="http://www.vishay.com/doc?95027">www.vishay.com/doc?95027</a>

## I-PAK - S

### DIMENSIONS FOR I-PAK - S in millimeters



SYMBOL	DIMENSIONAL REQUIREMENTS		
	MIN.	NOM.	MAX.
E	6.40	6.60	6.70
L	3.98	4.13	4.28
L4	0.66	0.76	0.86
L5	1.96	2.16	2.36
D	6.00	6.10	6.20
H	11.05	11.25	11.45
b	0.64	0.76	0.88
b2	0.77	0.84	1.14
b3	5.21	5.34	5.46
b4	0.41	0.51	0.61
e	2.286 BSC		
A	2.20	2.30	2.38
c	0.40	0.50	0.60
c2	0.40	0.50	0.60
D1	5.30	-	-
E1	4.40	-	-



## Disclaimer

ALL PRODUCT, PRODUCT SPECIFICATIONS AND DATA ARE SUBJECT TO CHANGE WITHOUT NOTICE TO IMPROVE RELIABILITY, FUNCTION OR DESIGN OR OTHERWISE.

Vishay Intertechnology, Inc., its affiliates, agents, and employees, and all persons acting on its or their behalf (collectively, "Vishay"), disclaim any and all liability for any errors, inaccuracies or incompleteness contained in any datasheet or in any other disclosure relating to any product.

Vishay makes no warranty, representation or guarantee regarding the suitability of the products for any particular purpose or the continuing production of any product. To the maximum extent permitted by applicable law, Vishay disclaims (i) any and all liability arising out of the application or use of any product, (ii) any and all liability, including without limitation special, consequential or incidental damages, and (iii) any and all implied warranties, including warranties of fitness for particular purpose, non-infringement and merchantability.

Statements regarding the suitability of products for certain types of applications are based on Vishay's knowledge of typical requirements that are often placed on Vishay products in generic applications. Such statements are not binding statements about the suitability of products for a particular application. It is the customer's responsibility to validate that a particular product with the properties described in the product specification is suitable for use in a particular application. Parameters provided in datasheets and/or specifications may vary in different applications and performance may vary over time. All operating parameters, including typical parameters, must be validated for each customer application by the customer's technical experts. Product specifications do not expand or otherwise modify Vishay's terms and conditions of purchase, including but not limited to the warranty expressed therein.

Except as expressly indicated in writing, Vishay products are not designed for use in medical, life-saving, or life-sustaining applications or for any other application in which the failure of the Vishay product could result in personal injury or death. Customers using or selling Vishay products not expressly indicated for use in such applications do so at their own risk. Please contact authorized Vishay personnel to obtain written terms and conditions regarding products designed for such applications.

No license, express or implied, by estoppel or otherwise, to any intellectual property rights is granted by this document or by any conduct of Vishay. Product names and markings noted herein may be trademarks of their respective owners.

## Material Category Policy

**Vishay Intertechnology, Inc. hereby certifies that all its products that are identified as RoHS-Compliant fulfill the definitions and restrictions defined under Directive 2011/65/EU of The European Parliament and of the Council of June 8, 2011 on the restriction of the use of certain hazardous substances in electrical and electronic equipment (EEE) - recast, unless otherwise specified as non-compliant.**

**Please note that some Vishay documentation may still make reference to RoHS Directive 2002/95/EC. We confirm that all the products identified as being compliant to Directive 2002/95/EC conform to Directive 2011/65/EU.**

**Vishay Intertechnology, Inc. hereby certifies that all its products that are identified as Halogen-Free follow Halogen-Free requirements as per JEDEC JS709A standards. Please note that some Vishay documentation may still make reference to the IEC 61249-2-21 definition. We confirm that all the products identified as being compliant to IEC 61249-2-21 conform to JEDEC JS709A standards.**