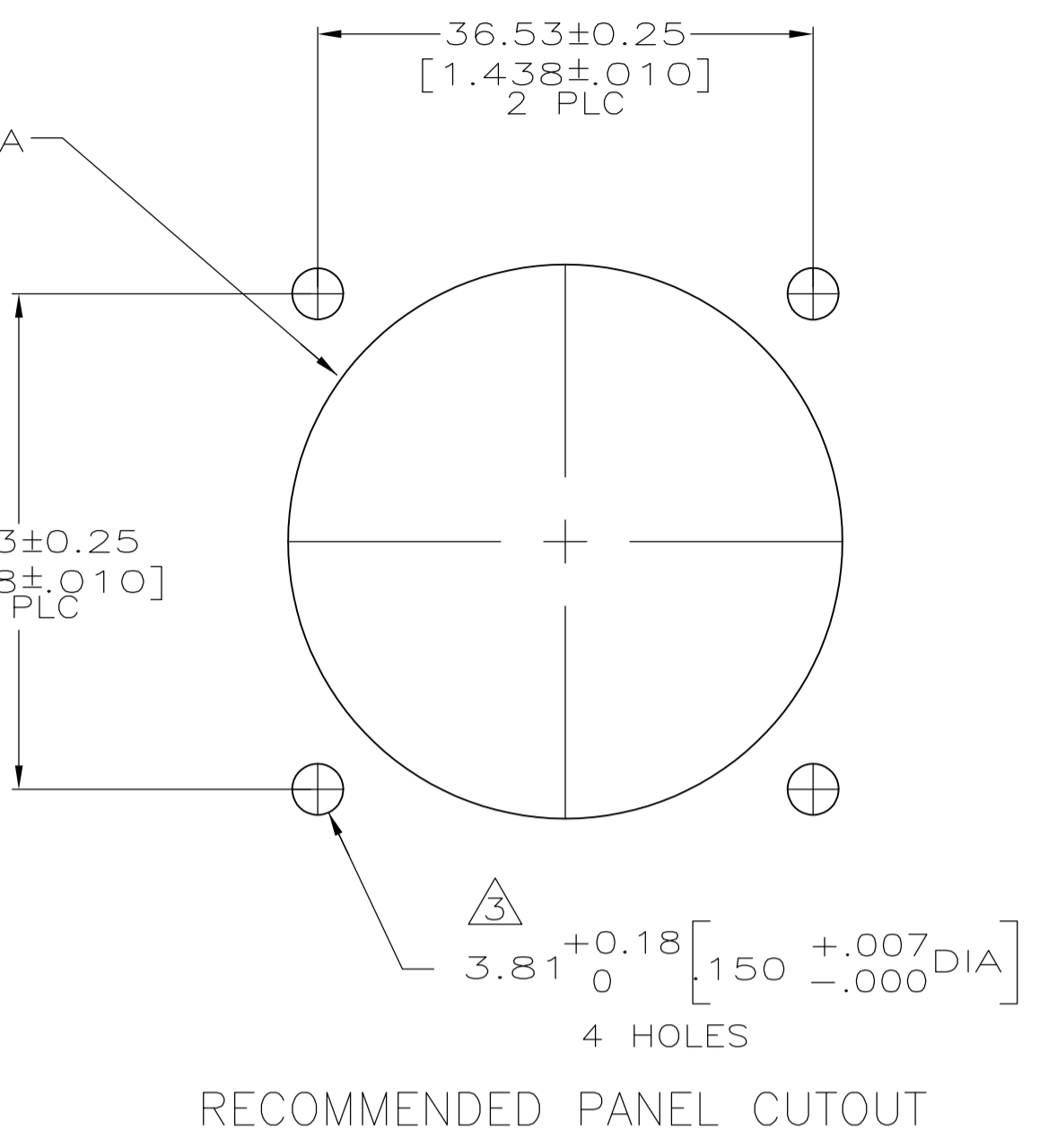
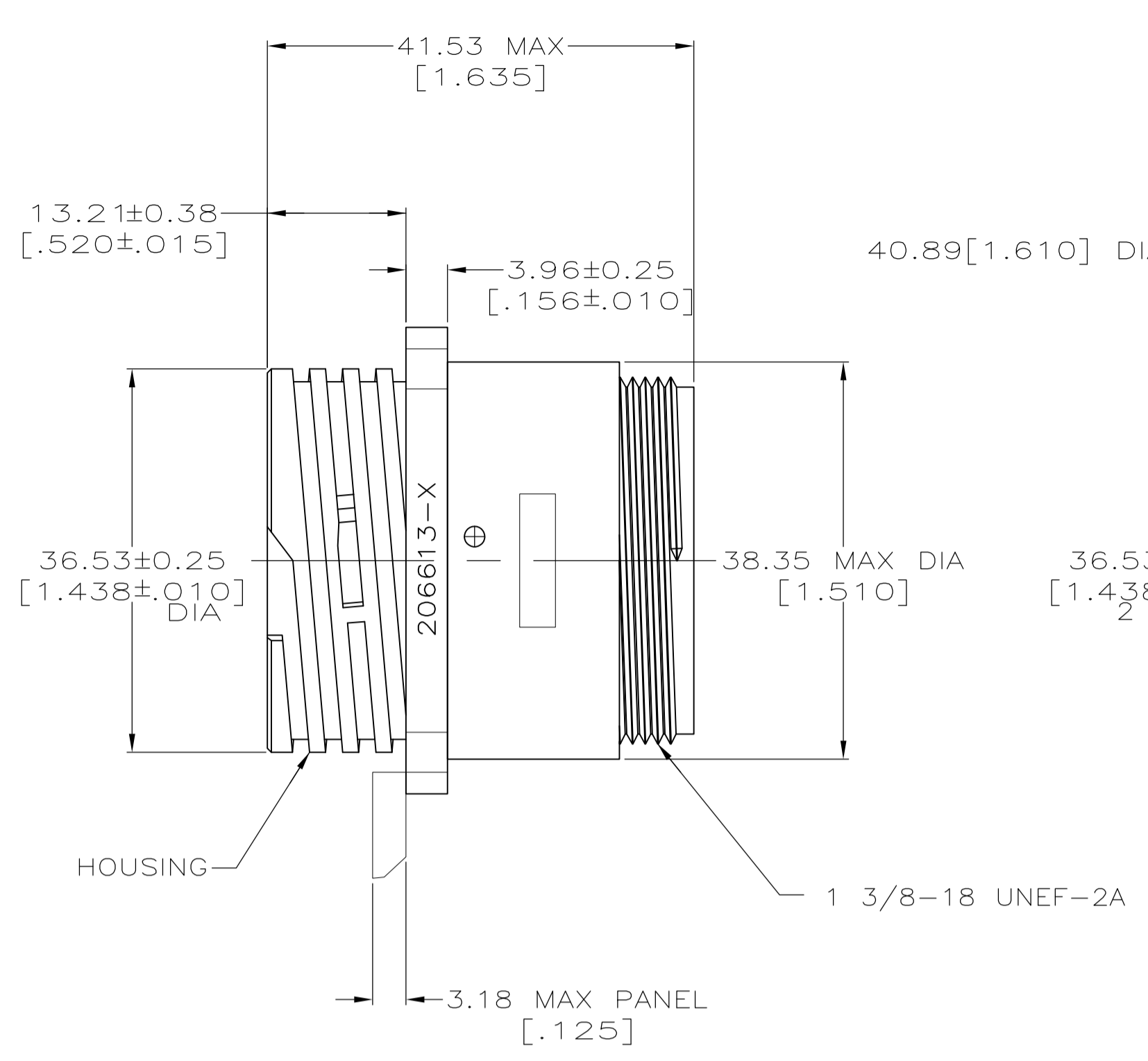
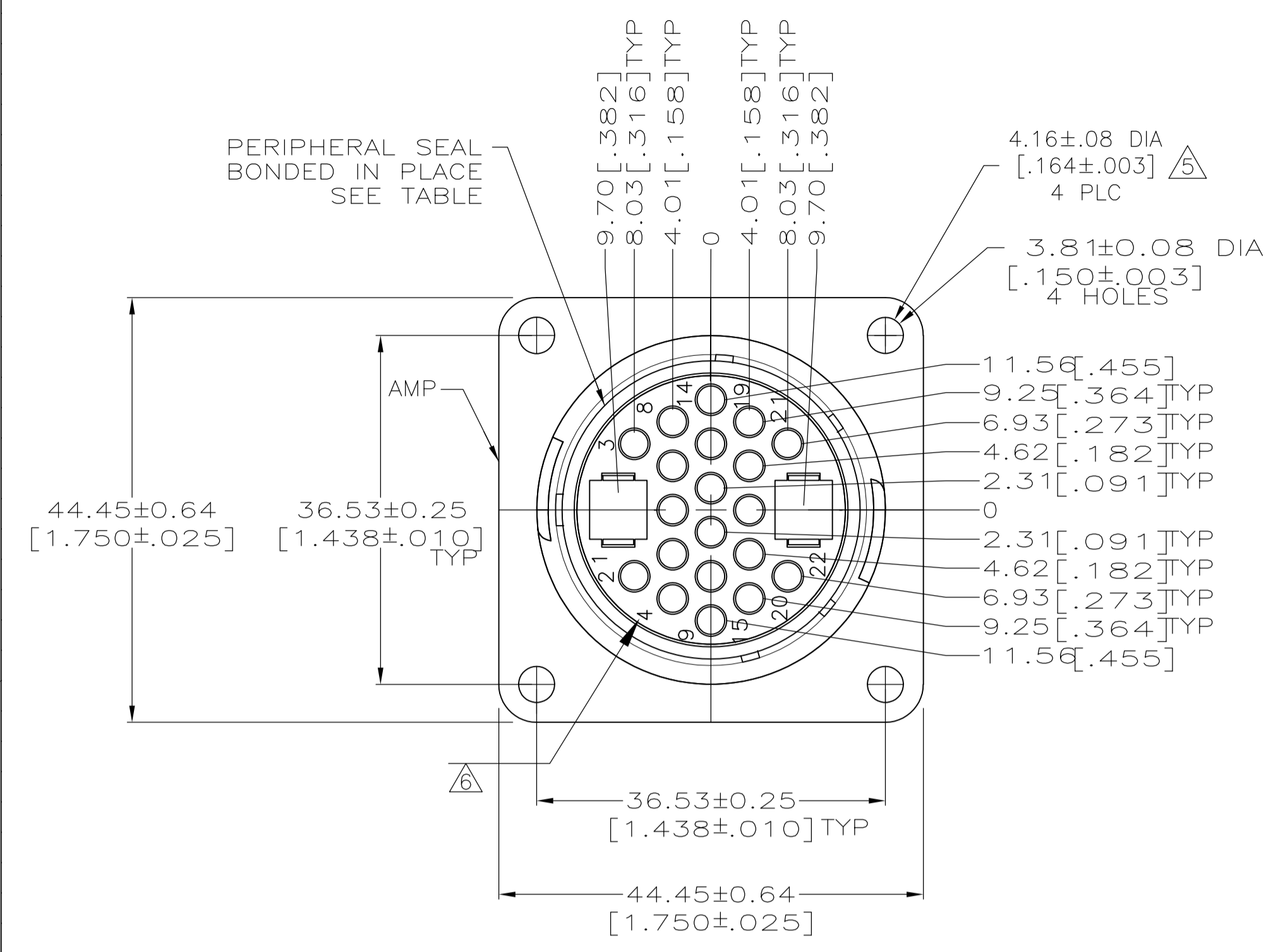
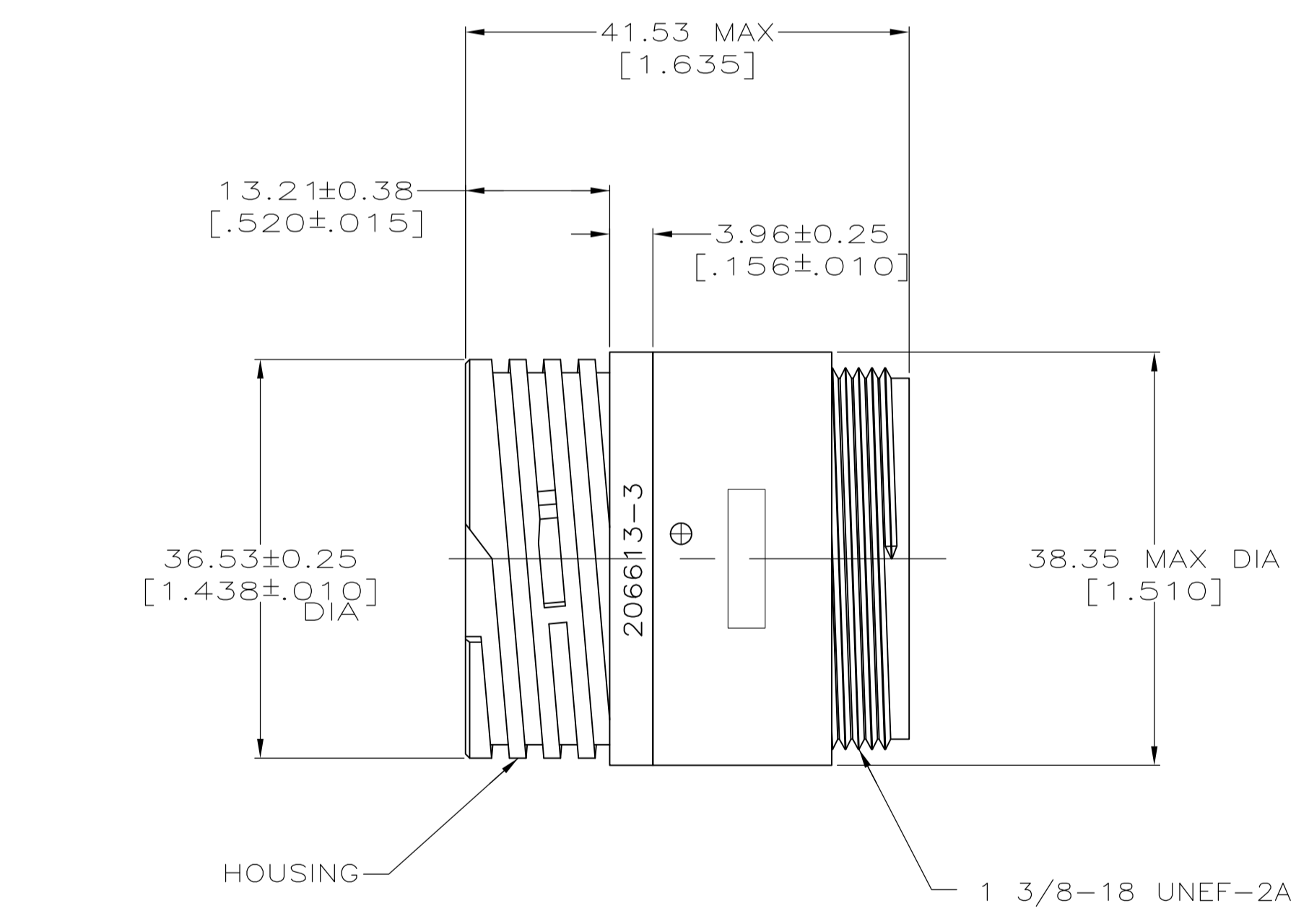
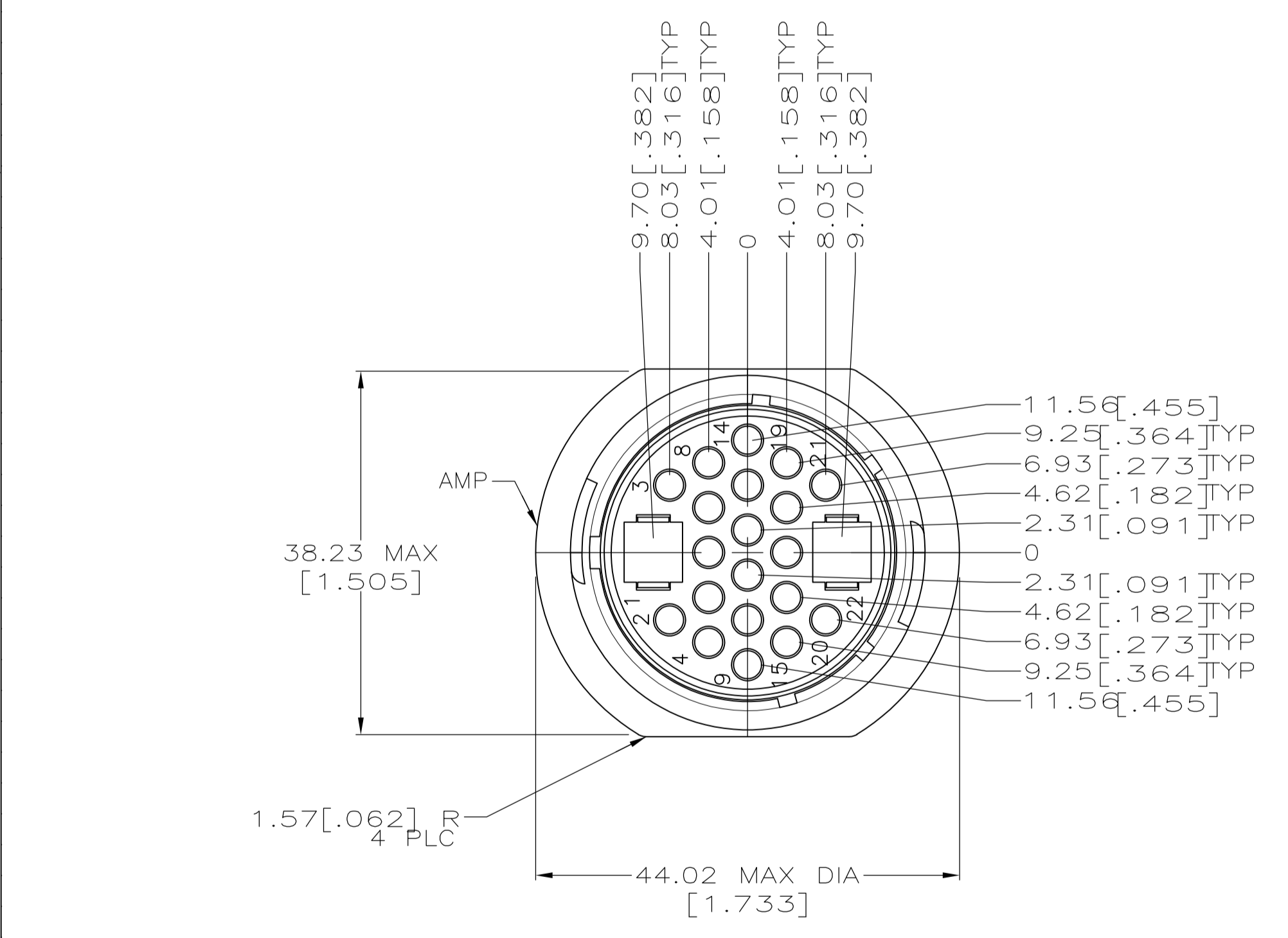


REVISIONS					
P	LTR	DESCRIPTION	DATE	DN	APVD
P2		REVISED PER ECO-11-004820	11MAR11	RK	HMR
R		REVISED PER ECR-16-017870	20APR2017	BDA	MZ



DETAIL A



DETAIL B

- WILL ACCEPT (20) MULTIMATE AND 2 TYPE XII PIN CONTACTS.
- CAVITY IDENTIFICATION ON FRONT AND REAR FACE.
- NUMBER 4 FASTENERS RECOMMENDED FOR MOUNTING.
- HOUSING: NYLON, BLACK. PERIPHERAL SEAL: ELASTOMER, GRAY.
- APPLIES TO 206613-6 ONLY.
- PERMANENT WHITE MARKED OR WHITE INK STAMPED CAVITY IDENTIFICATION.
- HOUSING: NYLON, RED. PERIPHERAL SEAL: ELASTOMER, GRAY.
- WHITE DOT NEAR POSITION 1 ON WIRE ENTRY FACE.

OBSOLETE	8/4	-	YES	A	1-206613-2
OBSOLETE	7/4	-	YES	A	206613-9
PRELIMINARY	6/4	-	YES	A	206613-7
OBSOLETE	4/4	4	NO	A	206613-6
	4/4	-	YES	A	206613-5
	4/4	-	NO	B	206613-3
	4/4	-	NO	A	206613-1
NOTES	THREADED INSERTS	PERIPHERAL SEAL	SEE DETAIL	PART NUMBER	

THIS DRAWING IS A CONTROLLED DOCUMENT.

DIMENSIONS: INCHES

TOLERANCES UNLESS OTHERWISE SPECIFIED:

0 PLC	± -
1 PLC	± -
2 PLC	± 0.13 [.005]
3 PLC	± -
4 PLC	± -
ANGLES	± -

MATERIAL: 4/7

FINISH: -

THIS DRAWING IS A CONTROLLED DOCUMENT. DIN M. BINNER 05/26/94. CHK: R. STONE 6-23-94. APVD: -

PRODUCT SPEC: 108-10024

APPLICATION SPEC: -

SIZE: A1

WEIGHT: -

CAGE CODE: 00779

DRAWING NO: 206613

RESTRICTED TO: -

CUSTOMER DRAWING

SCALE: 2:1

SHEET: 1 OF 1

REV: R

STE TE Connectivity

RECEPTACLE HOUSING, STANDARD SEX, SHELL SIZE 23, CPC

Mouser Electronics

Authorized Distributor

Click to View Pricing, Inventory, Delivery & Lifecycle Information:

[TE Connectivity:](#)

[206613-3](#)