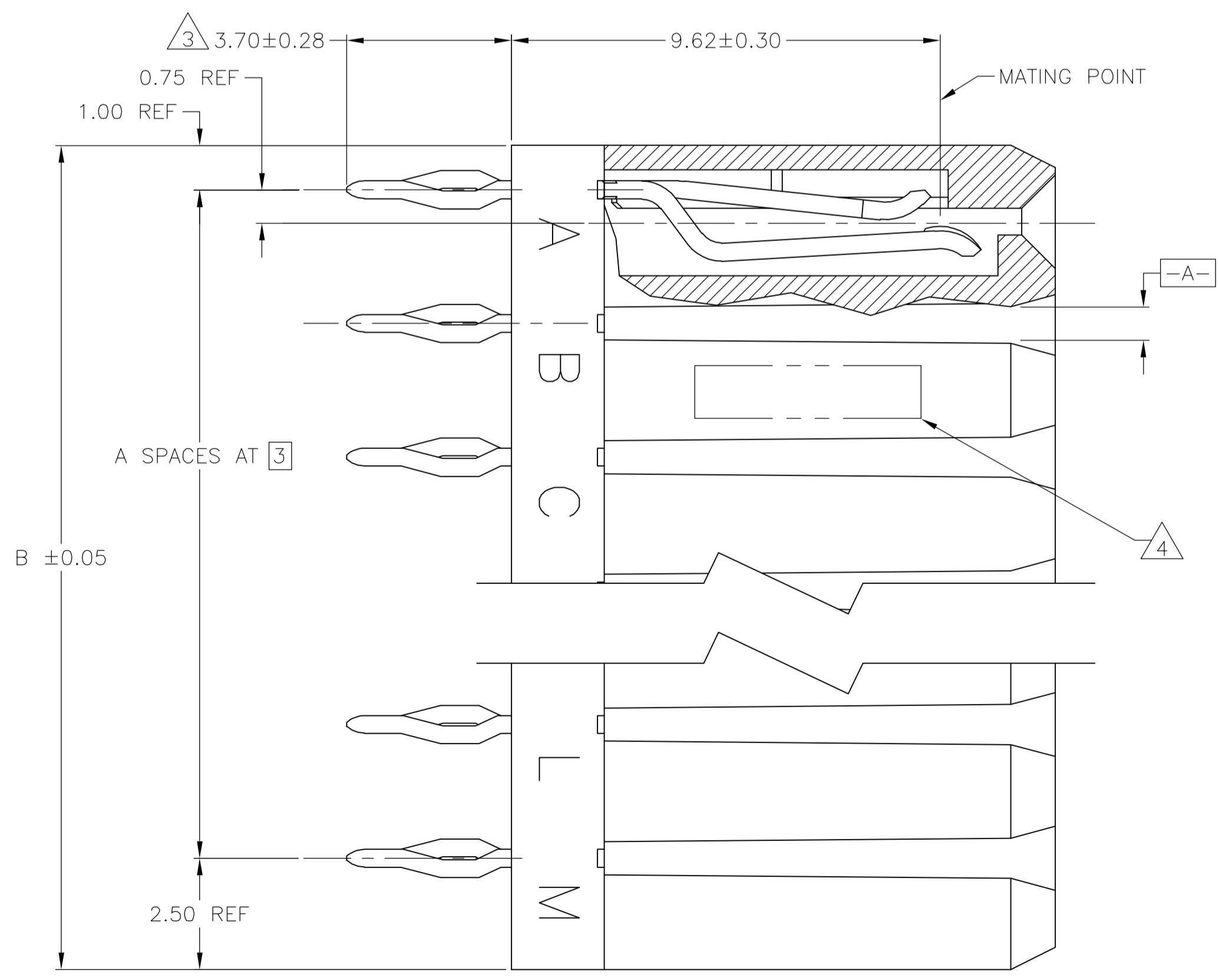
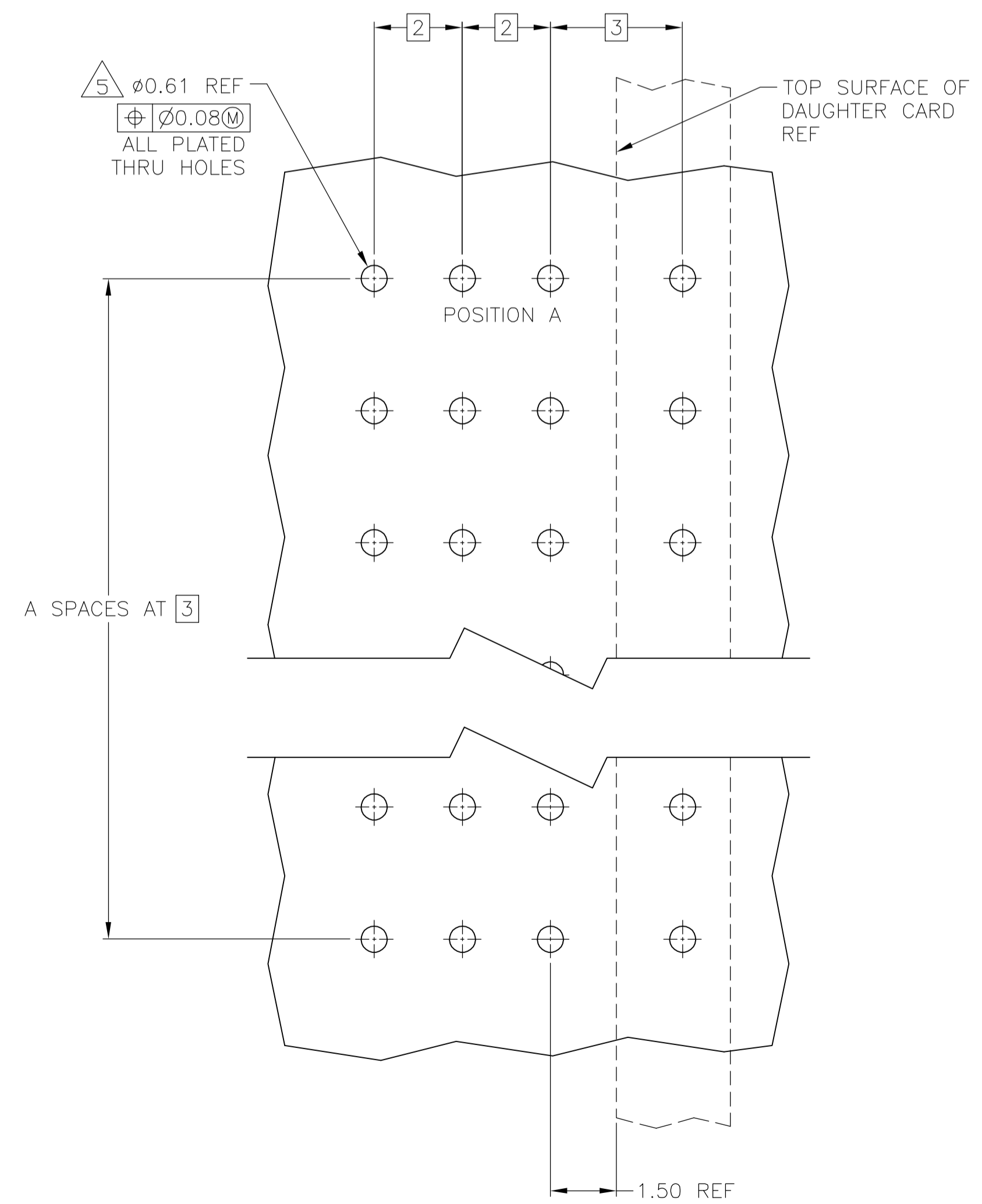
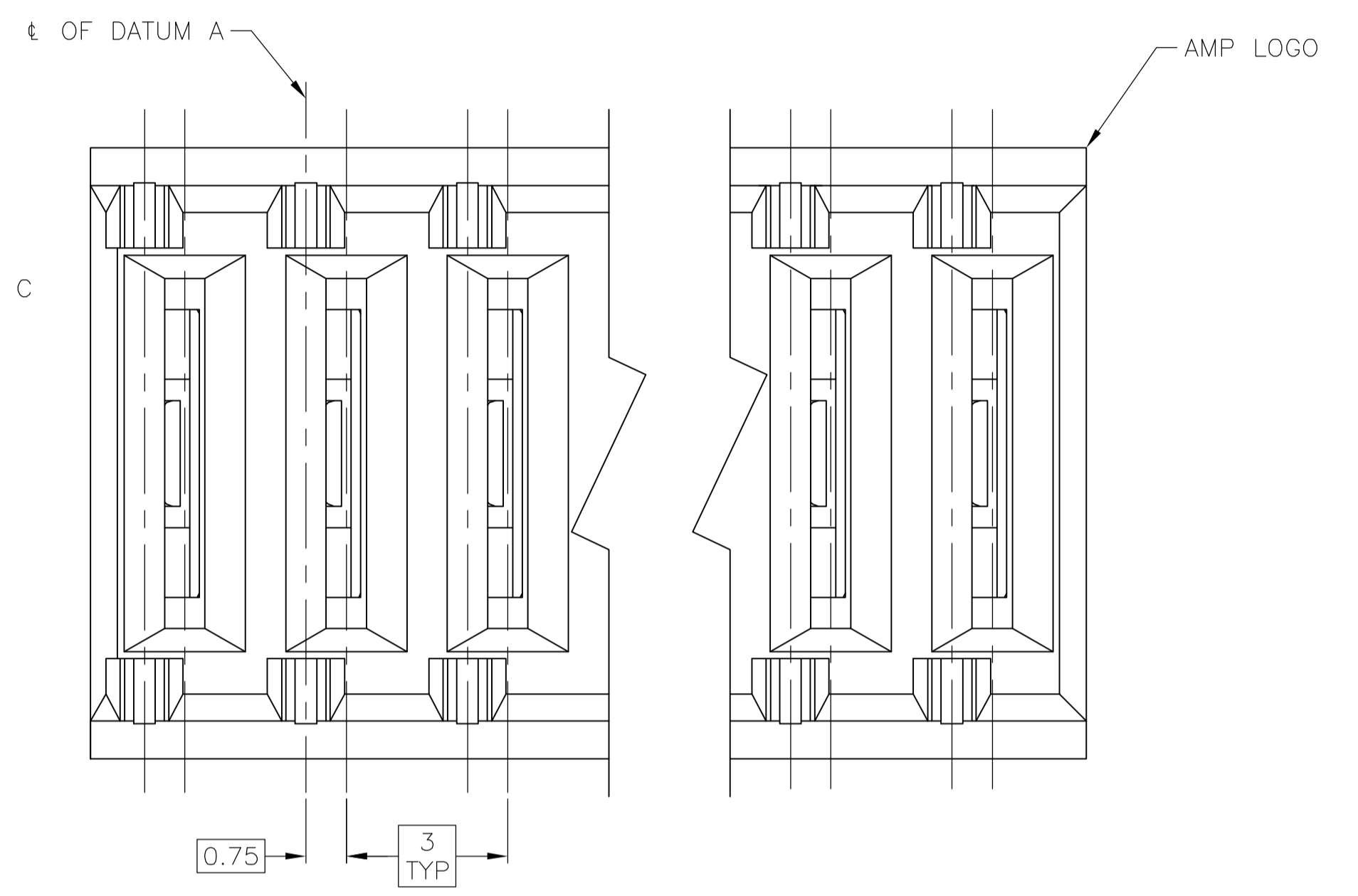
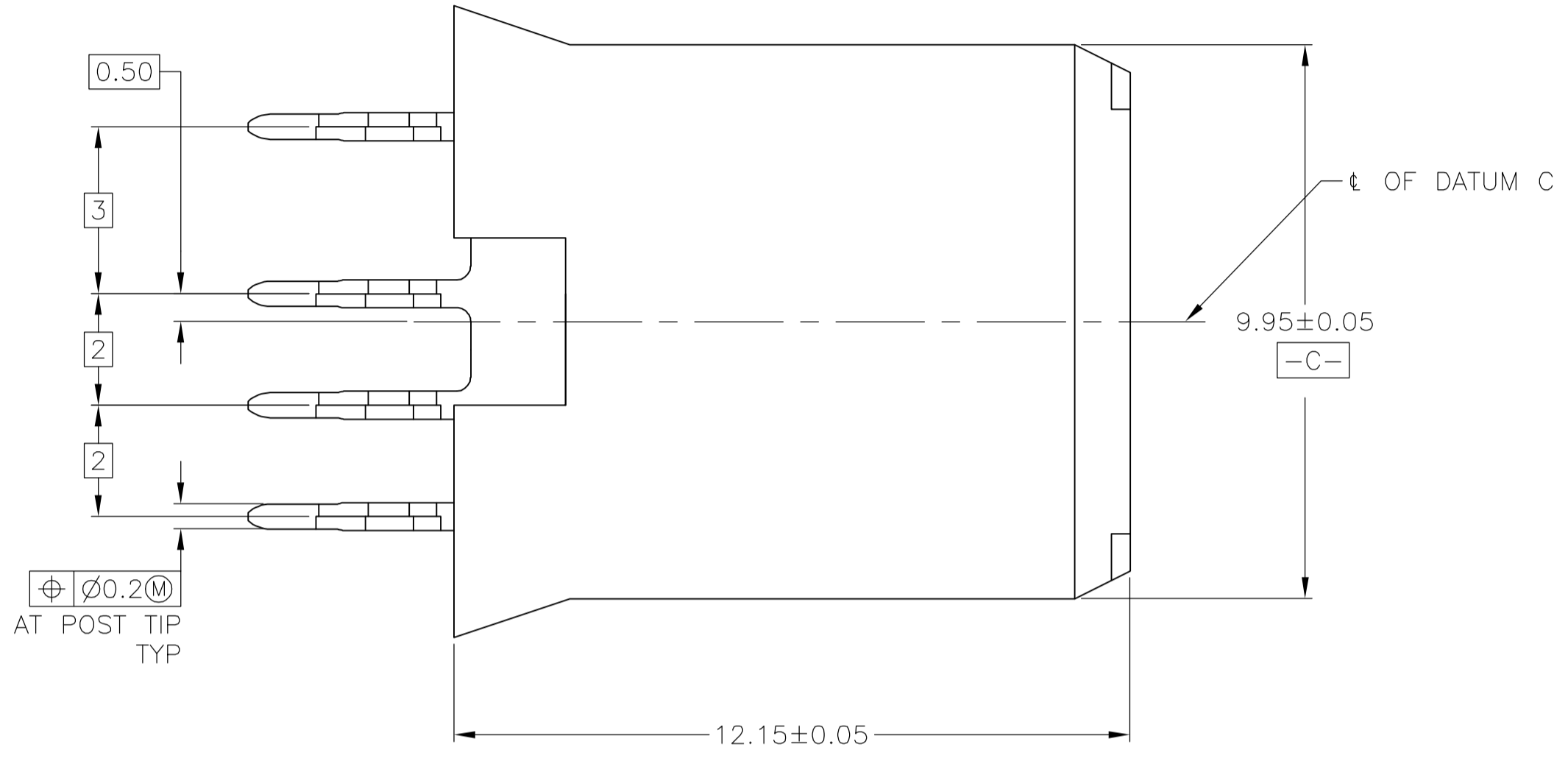
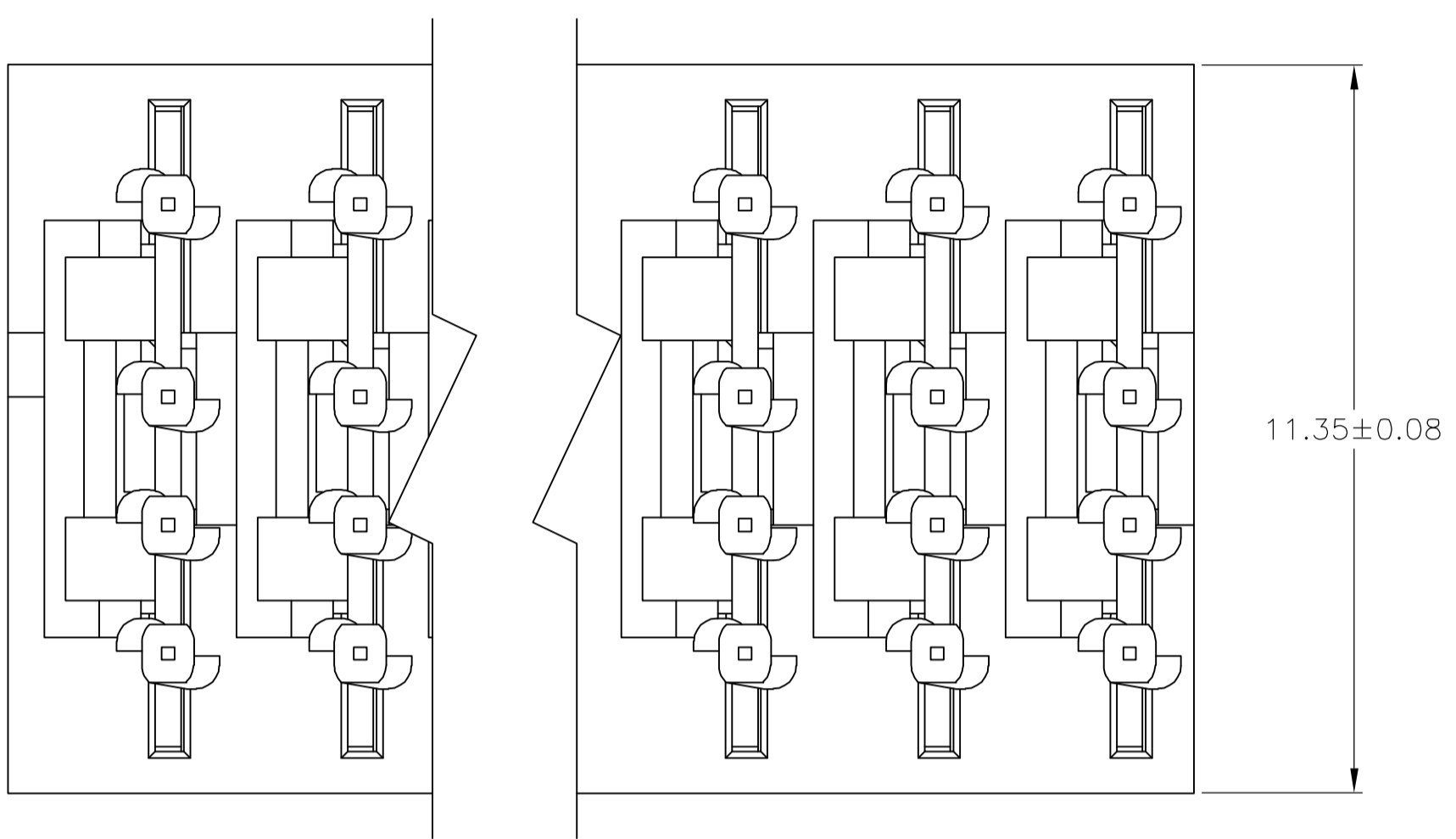


LOC		DIST		REVISIONS			
P	LTR	DESCRIPTION	DATE	OWN	APVD		
A2	REV PER	ECO-07-002646	06MAR2007	BC	RP		

- 1 MATERIAL: HOUSING : POLYESTER, GRAY, UL 94V-0.
CONTACT: HIGH CURRENT COPPER ALLOY.
 - 2 FINISH: CONTACT MATING AREA: 1.27µm MIN GOLD OR 0.08µm MIN GOLD OVER
0.76µm MIN PALLADIUM-NICKEL.
ACTION PIN AREA, 0.5µm MIN TIN/LEAD PLATE,
ALL OVER 1.27µm MIN NICKEL UNDERPLATE.
 - 3 DIMENSION APPLIES AFTER CONNECTOR IS APPLIED TO PC BOARD.
 - 4 DATE CODE THIS APPROXIMATE AREA, OPPOSITE SIDE.
 - 5 REFERENCE APPLICATION SPEC 114-1103 FOR RECOMMENDED
PLATED THRU HOLE DIAMETER AND PLATING THICKNESSES.
6. CURRENT RATING 16A/CONTACT PER PRODUCT SPEC 108-1651.



B	A	POSITION	PART NUMBER
36.5	11	12	120992-9
27.5	8	9	120992-6

THIS DRAWING IS A CONTROLLED DOCUMENT.

DIMENSIONS: mm	TOLERANCES UNLESS OTHERWISE SPECIFIED:	DIN 060CT06	tyco Electronics	Tyco Electronics Corporation Harrisburg, Pa 17105-3608
0 PLC ± -	1 PLC ± -	060CT06	NAME	RECEPTACLE ASSEMBLY, UNIVERSAL POWER MODULE
2 PLC ± ± 0.13	3 PLC ± -	060CT06	APVD	RESTRICTED TO
4 PLC ± -	ANGLES ± -		SIZE	CAGE CODE
			A1	00779
			SCALE	10:1
			SHEET	1 of 1
			REV	A2

CUSTOMER DRAWING

RECOMMENDED PCB HOLE LAYOUT

Mouser Electronics

Authorized Distributor

Click to View Pricing, Inventory, Delivery & Lifecycle Information:

[TE Connectivity:](#)

[120992-9](#)