

Series 2000- NEMA 4 Single Door Enclosures



Industrial Enclosures
Wallmount Enclosures

**Order
Panel
Separately**



Application

- Designed to enclose electrical and/or electronic equipment and protect against harsh, industrial environments for wallmount applications.
- Provides protection where equipment may be hosed down or otherwise be very wet, or in outdoor applications for full weather protection.
- Attractive design offers high tech styling and convenient user features.
- For high temperature applications, a gasket retainer may be required, please refer to factory.

Standards

- UL 508 Type 3R, 4, and 12
- CSA Type 3R, 4 and 12
- **Complies with**
 - NEMA Type 3R, 4, 12 and 13
 - IEC 529, IP66

Construction

- Formed 14 gauge steel bodies with 14 gauge steel doors.
- Smooth, continuously welded seams without knockouts, cutouts or holes.
- Body stiffeners are provided where required for increased strength and rigidity.
- Door profiles provide increased strength and are pre-punched to provide mounting options.
- Formed lip on door and enclosure exclude flowing liquids and contaminants.
- Doors may be easily removed, reversed or interchanged.
- Slotted quarter turn oil-tight latches secure the door, with optional tamper resistant and locking latches available.
- Steel hinges are painted black.
- Oil resistant gaskets are permanently secured.
- Compression stops ensure optimum gasket performance.
- Collar studs are provided for mounting inner panels and accessories.
- A bonding screw is provided on the door and a grounding stud is provided in the enclosure.
- A literature pocket is provided for the inside of the door except as noted.¹

Finish

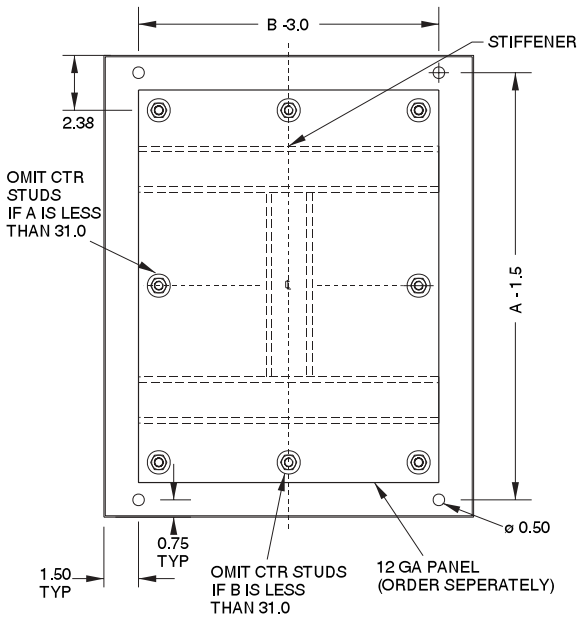
- Cover and enclosure are finished in recoatable smooth ANSI/ASA 61 gray powder coating.
- Optional steel inner panels are finished in white powder coating.

Accessories

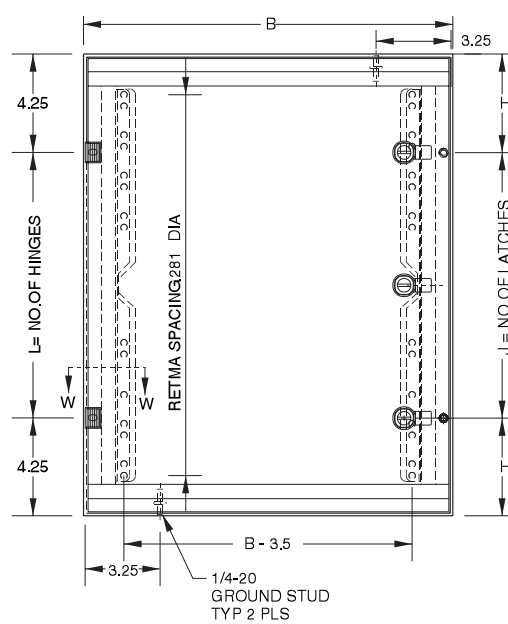
- Air conditioners...see page **348-357**
- Blowers...see page **359**
- Breather kits...see page **374**
- Depth extension ring kit...see page **42**
- DIN rails...see page **44**
- DIN rail mounting kit...see page **44**
- Filter fans...see page **360-367**
- Fixed rack mounting kits...see page **44**
- Floor stand kits...see page **394**
- Heaters...see page **369-371**
- Inner panels...see page **42**
- Locking handles...see page **45**
- Louvered ventilating plates...see page **396**
- Mounting foot kits...see page **45**
- Quarter turn inserts & keys...see page **45**
- Replacement quarter turn assemblies...see page **45**
- Swing frames...see page **43**
- Swing panels...see page **43**
- Terminal kit assemblies...see page **386**
- Thermostats...see page **374**
- Window doors...see page **42**
- Padlock Adapter (EPA)...see page **382**

Series 2000 - NEMA 4
Single Door Enclosures

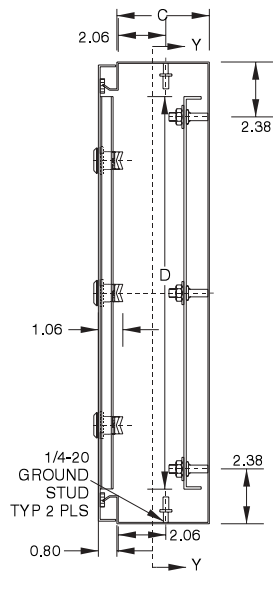
Industrial Enclosures
Wallmount Enclosures



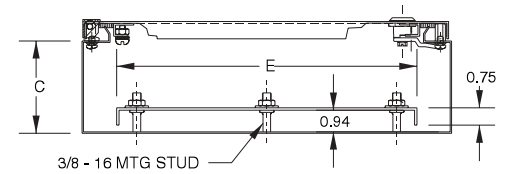
Section Y-Y



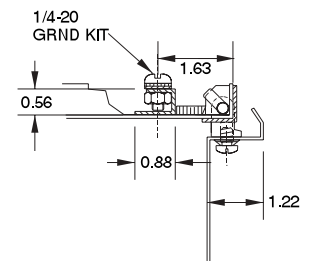
Front View



Side View



Top View



Hinge Detail
(Section W-W)

(Shown with door open 180°)

Enclosure Part No.	A	B	C	Opt. Panel Part No.	Panel Dim. D	E	H	J	L	Ship Wt. lbs
2P12126 ¹	12	12	6	18P0909	9	9	—	1	2	14
2P16126 ¹	16	12	6	18P1309	13	9	—	1	2	17
2P16166	16	16	6	18P1313	13	13	—	1	2	21
2P20166	20	16	6	18P1713	17	13	—	1	2	25
2P20206	20	20	6	18P1717	17	17	—	1	2	28
2P20168	20	16	8	18P1713	17	13	—	1	2	27
2P24168	24	16	8	18P2113	21	13	—	1	2	30
2P16208	16	20	8	18P1713	13	17	—	1	2	26
2P20208	20	20	8	18P1717	17	17	—	1	2	32
2P24208	24	20	8	18P2117	21	17	—	1	2	35
2P30208	30	20	8	18P2717	27	17	4.25	2	3	44
2P20248	20	24	8	18P2117	17	21	—	1	2	36
2P24248	24	24	8	18P2121	21	21	4.25	2	2	46
2P30248	30	24	8	18P2721	27	21	4.25	2	3	56
2P36248	36	24	8	18P3321	33	21	4.25	2	3	64
2P30308	30	30	8	18P2727	27	27	4.25	2	3	74
2P36308	36	30	8	18P3327	33	27	4.25	2	3	91
2P242412	24	24	12	18P2121	21	21	4.25	2	2	53
2P302412	30	24	12	18P2721	27	21	4.25	2	3	69
2P482412	48	24	12	18P4521	45	21	6.00	3	4	130
2P363012	36	30	12	18P3327	33	27	4.25	2	3	98
2P423612	42	36	12	18P3933	39	33	6.00	3	4	135
2P483612	48	36	12	18P4533	45	33	6.00	3	4	147
2P242416	24	24	16	18P2121	21	21	4.25	2	2	75
2P363016	36	30	16	18P3327	33	27	4.25	2	3	117
2P483616	48	36	16	18P4533	45	33	6.00	3	4	158

¹ Less literature pocket

Technical references and DXF downloads available at www.hammfg.com

All dimensions in inches unless specified otherwise

Quality Enclosures. Service Excellence.

Mouser Electronics

Authorized Distributor

Click to View Pricing, Inventory, Delivery & Lifecycle Information:

Hammond:

[2P30308](#) [2P36308](#) [2P20168](#) [2P20166](#) [2P16126](#) [2P16166](#) [2P24168](#) [2P423612](#) [2P302412](#) [2P242416](#) [2P242412](#)
[2P483612](#) [2P483616](#) [2P30208](#) [2P30248](#) [2P482412](#) [2P363012](#) [2P363016](#) [2P12126](#) [2P20208](#) [2P20248](#)
[2P20206](#) [2P36248](#) [2P16208](#) [2P24248](#) [2P24208](#)