

PLEASE CHECK WWW.MOLEX.COM FOR LATEST PART INFORMATION

Part Number: [0521160411](#)
Status: **Active**
Overview: [Mizu-P25 Miniature Waterproof Connectors](#)
Description: [Mizu-P25 2.50mm Pitch Waterproof Wire-to-Wire Plug Housing, 4 Circuits, Black](#)

Documents:

| | |
|--|---|
| 3D Model | Application Specification AS-52117-001-JP-001 (PDF) |
| Drawing (PDF) | Packaging Specification 521160000-P00 (PDF) |
| Product Specification PS-52117-008-001 (PDF) | RoHS Certificate of Compliance (PDF) |
| Application Specification AS-52117-001-001 (PDF) | |

Agency Certification

UL E29179

General

| | |
|-------------------------------|--|
| Product Family | Crimp Housings |
| Series | 52116 |
| Application | Signal, Wire-to-Wire |
| Application Tooling Part Link | 62202-4400 |
| Overview | Mizu-P25 Miniature Waterproof Connectors |
| Product Name | Mizu-P25 Waterproof, Splash Proof |
| UPC | 800754368599 |

Physical

| | |
|-------------------------------|----------------|
| Circuits (maximum) | 4 |
| Color - Resin | Black |
| Gender | Plug |
| Glow-Wire Capable | No |
| Lock to Mating Part | Yes |
| Material - Resin | Polyester |
| Net Weight | 1829.700/mg |
| Number of Rows | 1 |
| Packaging Type | Tray |
| Panel Mount | No |
| Pitch - Mating Interface | 2.50mm |
| Stackable | No |
| Temperature Range - Operating | -40° to +105°C |

Electrical

Current - Maximum per Contact 3.0A

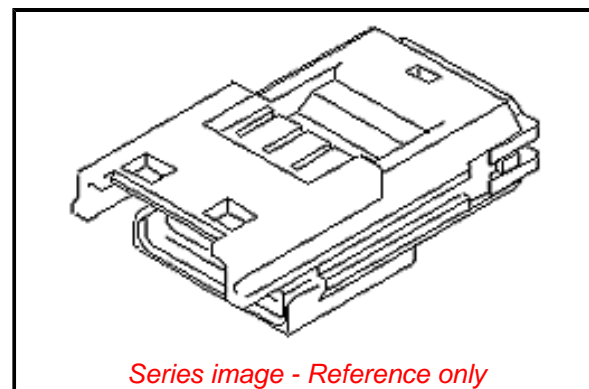
Solder Process Data

Lead-freeProcess Capability N/A

Material Info

Reference - Drawing Numbers

| | |
|---------------------------|---------------------------------------|
| Application Specification | AS-52117-001-001, AS-52117-001-JP-001 |
| Packaging Specification | 521160000-P00 |
| Product Specification | PS-52117-008-001 |
| Sales Drawing | SD-52116-002-001 |



Series image - Reference only

EU ELV

Compliant

EU RoHS

Compliant

REACH SVHC

Not Contained Per - ED/61/2018 (27 June 2018)

Halogen-Free

Status

Not Low-Halogen

Need more information on product environmental compliance?

Email productcompliance@molex.com
Please visit the [Contact Us](#) section for any non-product compliance questions.

| | |
|-----------------|---------------|
| China ROHS | Green Image |
| ELV | Compliant |
| Prop65 | Compliant |
| RoHS Phthalates | Not Contained |

Search Parts in this Series

[52116 Series](#)

Mates With

[52117 Mizu-P25 2.50mm Pitch Waterproof Wire-to-Wire Receptacle Housing](#)

Use With

[50038 Mizu-P25 Crimp Terminal](#)

Application Tooling | FAQ

Tooling specifications and manuals are found by selecting the products below. Crimp Height Specifications are then contained in the Application Tooling Specification document.

Global

| | |
|--------------------|------------------|
| Description | Product # |
|--------------------|------------------|

This document was generated on 09/11/2018

PLEASE CHECK WWW.MOLEX.COM FOR LATEST PART INFORMATION

Mouser Electronics

Authorized Distributor

Click to View Pricing, Inventory, Delivery & Lifecycle Information:

[Molex:](#)

[52116-0411](#)