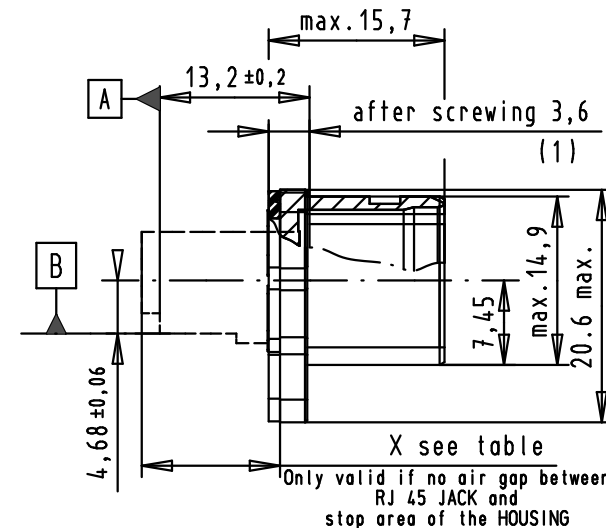
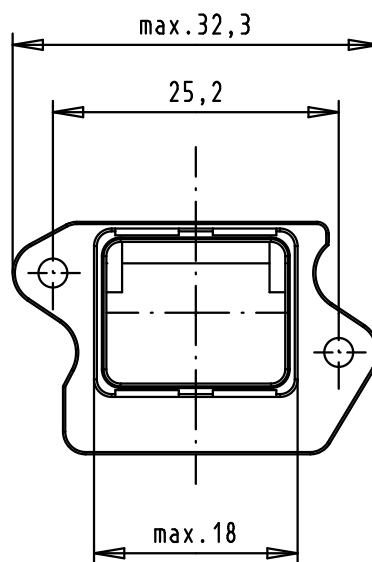
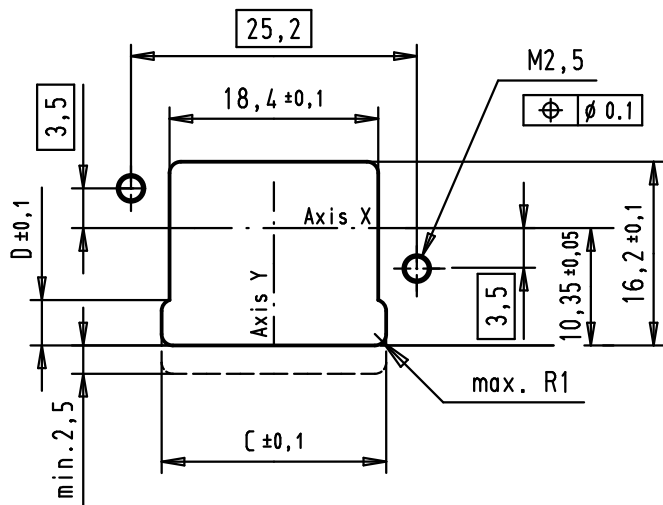
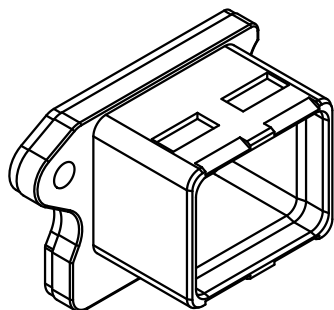


Panel cutting I



C = 19,8 and D = 4,0 for solder pin data layout  
C = 21,0 and D = 4,1 for SMD data layout

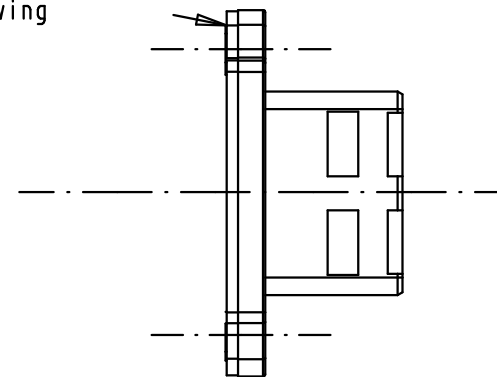


Connector pitch on panel:  
Axis X = 27 mm and Axis Y = 21 mm  
Receptacle mating side according to  
600076-3-106 IEC - variant 04

RJ 45 jack mating references A and B  
according to IEC 60603-7

(1) Screwing x2 M2.5 screws between 0.5N.m and 0.8N.m  
screw according to DIN 912 and ISO 4762

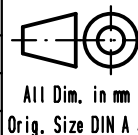
1 mm tickness flat seal  
before screwing



NO AIR GAP BETWEEN RJ45 JACK AND HOUSING

RJ 45 JACK VARIANT	TB	X
angled jack SMD variant	09 45 551 1100	17.6 +/-0.4
angled jack SOLDER PIN variant	09 45 551 1102	17.6 +/-0.4

Mod.	Dot.	Name	Dot.	Name
EC01204	12/01/10	AB	Detail.	09/08/05 AM
35413	17/11/08	AB	Insp.	
35307	15/09/08	AB	Stand.	
33093	12/09/05	AM		
32985	09/08/05	AM		
			HARTING EURL F-95972 Paris	



Push pull RJ Industrial  
Thermoplastic IP67 Receptacle  
And flat Seal for angled jacks

Maßstab/  
Scale  
1,5:1

TB 09 45 545 00 23

Blatt/ Page  
1/1

Sub.

# Mouser Electronics

Authorized Distributor

Click to View Pricing, Inventory, Delivery & Lifecycle Information:

[HARTING:](#)

[09455450023](#)