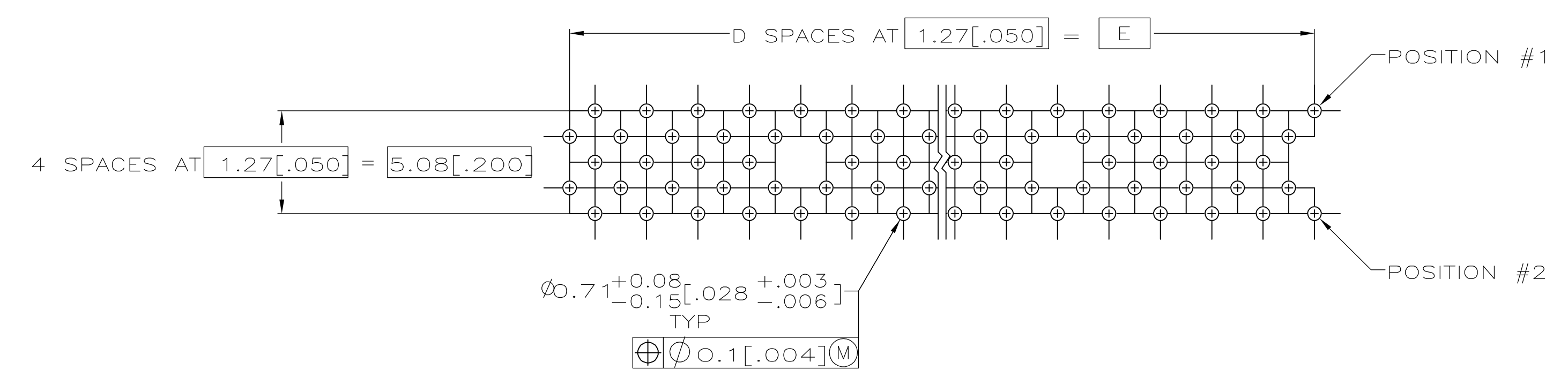
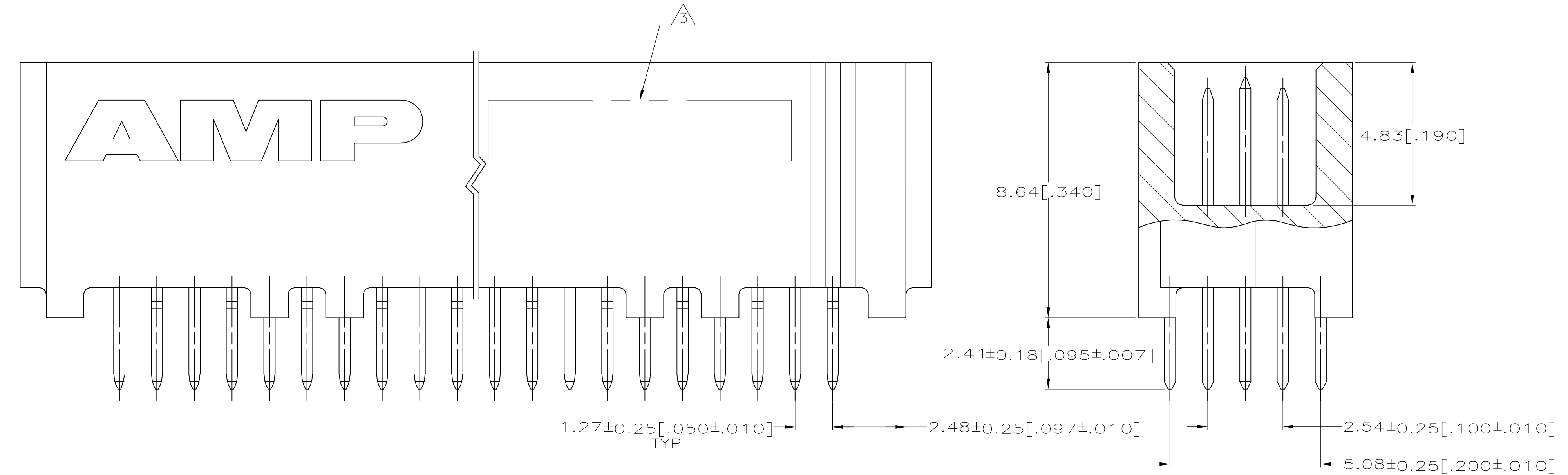


- 1 HOUSING: HIGH TEMPERATURE THERMOPLASTIC, COLOR NATURAL.  
PIN CONTACTS: PHOSPHOR BRONZE.  
GROUND BUSSES: PHOSPHOR BRONZE.
- 2 PIN CONTACTS: 0.00076[0.00030] MIN GOLD IN CONTACT AREA, 0.00254-0.00762[0.00100-.000300] TIN-LEAD ON SOLDER TAIL, ALL OVER 0.00127-0.00254[0.00050-.000100] NICKEL ON ENTIRE CONTACT.  
GROUND BUSSES: 0.00076[0.00030] MIN GOLD IN CONTACT AREA, 0.00254-0.00762[0.00100-.000300] TIN-LEAD ON SOLDER TAIL, ALL OVER 0.00127-0.00254[0.00050-.000100] NICKEL ON ENTIRE BUS.
- 3 DATE CODE MARKED IN AREA INDICATED.



|          |               |     |               |               |               |           |             |
|----------|---------------|-----|---------------|---------------|---------------|-----------|-------------|
|          | 151.13[5.950] | 119 | 153.62[6.048] | 156.08[6.145] | 157.84[6.214] | 240       | 1-536280-1  |
| OBSOLETE | 138.43[5.450] | 109 | 140.92[5.548] | 143.38[5.645] | 145.14[5.714] | 220       | 1-536280-0  |
| OBSOLETE | 125.73[4.950] | 99  | 128.22[5.048] | 130.68[5.145] | 132.44[5.214] | 200       | 536280-9    |
|          | 113.03[4.450] | 89  | 115.52[4.548] | 117.98[4.645] | 119.74[4.714] | 180       | 536280-8    |
|          | 100.33[3.950] | 79  | 102.82[4.048] | 105.28[4.145] | 107.04[4.214] | 160       | 536280-7    |
| OBSOLETE | 87.63[3.450]  | 69  | 90.12[3.548]  | 92.58[3.645]  | 94.34[3.714]  | 140       | 536280-6    |
|          | 74.93[2.950]  | 59  | 77.42[3.048]  | 79.88[3.145]  | 81.64[3.214]  | 120       | 536280-5    |
|          | 62.23[2.450]  | 49  | 64.72[2.548]  | 67.18[2.645]  | 68.94[2.714]  | 100       | 536280-4    |
|          | 49.53[1.950]  | 39  | 52.02[2.048]  | 54.48[2.145]  | 56.24[2.214]  | 80        | 536280-3    |
| OBSOLETE | 36.83[1.450]  | 29  | 39.32[1.548]  | 41.78[1.645]  | 43.54[1.714]  | 60        | 536280-2    |
|          | 24.13[0.950]  | 19  | 26.62[1.048]  | 29.08[1.145]  | 30.84[1.214]  | 40        | 536280-1    |
|          | E             | D   | C             | B             | A             | NO OF POS | PART NUMBER |

THIS DRAWING IS A CONTROLLED DOCUMENT. DWN: J.GERACE 3-27-92  
 CHK: J.GERACE 3-27-92  
 APP'D: J.GERACE 3-27-92

tyco Electronics Tyco Electronics Corporation Harrisburg, PA 17105-3608

NAME: PLUG ASSEMBLY, 10.92[.430] STACK, 2.41[.095] SOLDER TAIL, BOARD TO BOARD, MICRO-STRIP

PRODUCT SPEC: 108-1272  
 APPLICATION SPEC: 114-11005

SIZE: A1 CAGE CODE: 00779 DRAWING NO: 536280  
 WEIGHT: -

MATERIAL: 1  
 FINISH: 2

CUSTOMER DRAWING SCALE: 10:1 SHEET: 1 OF 1 REV: J

# Mouser Electronics

Authorized Distributor

Click to View Pricing, Inventory, Delivery & Lifecycle Information:

[TE Connectivity:](#)

[536280-4](#)