

LOC	DIST	REVISIONS					
FB	00	P	LTR	DESCRIPTION	DATE	DWN	APVD
		-		SEE SHEET 1	-	-	-


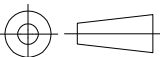
1.67	35.5	34.1	28.5	40	9-292208-0	4-292208-0
1.60	34.0	32.6	27.0	38	8-292208-8	3-292208-8
1.53	32.5	31.1	25.5	36	8-292208-6	3-292208-6
1.46	31.0	29.6	24.0	34	8-292208-4	3-292208-4
1.38	29.5	28.1	22.5	32	8-292208-2	3-292208-2
1.31	28.0	26.6	21.0	30	8-292208-0	3-292208-0
1.24	26.5	25.1	19.5	28	7-292208-8	2-292208-8
1.17	25.0	23.6	18.0	26	7-292208-6	2-292208-6
1.10	23.5	22.1	16.5	24	7-292208-4	2-292208-4
1.03	22.0	20.6	15.0	22	7-292208-2	2-292208-2
WEIGHT (g)	C	B	A	Pos.	BLUE	GRAY
	DIMENSIONS				PART NO	

RELEASED FOR PUBLICATION

ALL RIGHTS RESERVED.

THIS DRAWING IS UNPUBLISHED.

By -
COPYRIGHT -

DIMENSIONS: mm	DWN	-	MATERIAL	-	FINISH	-
	CHK	-	 TE Connectivity			
TOLERANCES UNLESS OTHERWISE SPECIFIED:	APVD	-				
0 PLC ± -	PRODUCT SPEC	-	NAME			
1 PLC ± SEE SHEET	APPLICATION SPEC	-	AMP Mini CT Connector 1.5mm Pitch			
2 PLC ± 1 OF 2	WEIGHT	-	SIZE	CAGE CODE	DRAWING NO	RESTRICTED TO
3 PLC ± -			A4	00779	C-292208	-
4 PLC ± -			CUSTOMER DRAWING			
ANGLES ± -			SCALE	NON	SHEET	2 OF 2
			REV P			

Mouser Electronics

Authorized Distributor

Click to View Pricing, Inventory, Delivery & Lifecycle Information:

[TE Connectivity:](#)

[7-292208-2](#)