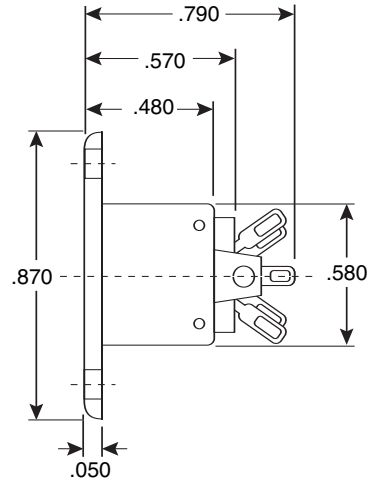
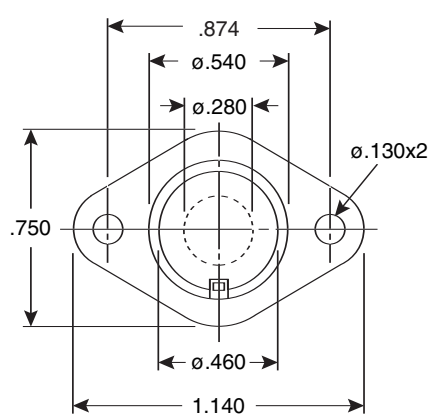
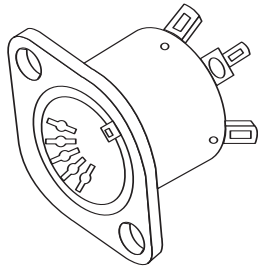


DIN Receptacles

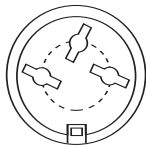
16PJ102, 16PJ224, 161-4701, 16DN100

KOBICONN

DIN Receptacles

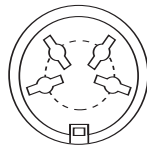


3 Pin



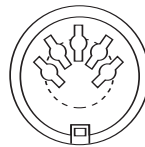
16PJ102

4 Pin



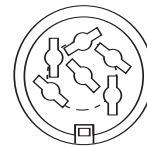
161-4701

5 Pin



16DN100

6 Pin



16PJ224

Dimensions: In.

Mouser Stock No.	Description	Degree of Arc
16PJ102	3 Pin	180°
161-4701	4 Pin	216°
16DN100	5 Pin	180°
16PJ224	6 Pin	240°

SPECIFICATIONS

Rated Power:	2A/34VDC
Contact Resistance:	20mΩ max.
Insulation Resistance:	300MΩ min. @ 500VDC
Dielectric Strength:	1000VAC for 1 Minute
Case:	Nickel Plated Steel
Insulator:	Phenolic
Pin:	Tin Plated Brass
Ground Lug:	Tin Plated Phosphor Bronze
Rivet:	Aluminum

Date Last Revised: 5-11-05

Available from Mouser Electronics
1-800-346-6873
www.mouser.com

KC-300697

16PJ102, 16PJ224, 161-4701, 16DN100

Mouser Electronics

Authorized Distributor

Click to View Pricing, Inventory, Delivery & Lifecycle Information:

[Kobiconn:](#)

[16DN100](#)