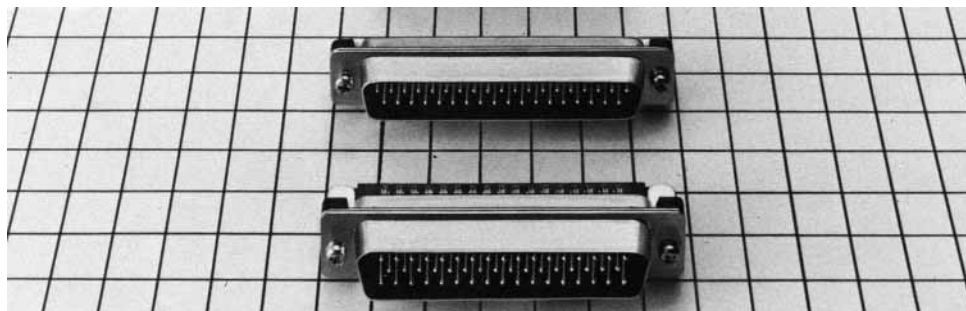


RD ※B SERIES RIGHT ANGLE TYPE CONNECTORS

General

RD ※B type connectors are square multi-pin connectors of such a type that connectors are mounted in parallel on printed circuit boards, and they are interchangeable with SM series (D sub-miniature) connectors. Because of direct connection to circuits on printed circuit boards, they are

optimized for labor saving of harness work and for improved reliability of harness.
presently available 9, 15, 25, 37 and 50 way.



Features

1. Compact and robust like conventional D sub-connectors, thanks to use of metallic shells.
2. Directly mounted to high density in parallel with printed circuit boards. Very convenient for connection with cable plugs.
3. Diversified combinations of dip and soldering (HD type) or IDC (FD type) may be made.
4. UL approved plastic resin provides superior heat resistance and chemical resistance.

Application

Computers, peripheral and terminal devices, control equipment, measuring apparatus and MODEMs of communication equipment.

Electrical and Environmental

Electrical and Environmental Characteristics	
Current capacity	3A
Rated voltage	AC350V
Insulation resistance	5000mΩ or higher at DC500V
Contact resistance	25mΩ or less at DC 100mA
Withstand voltage	1 minute at AC1250Vrms

Material and finish		
Shell	Mild steel	Dichromate finish after galvanizing
Insulator	PBT※	Black
Contacts	Phosphor bronze	Nickel plating + gold plating

※UL94V-0

Electrical and Environmental

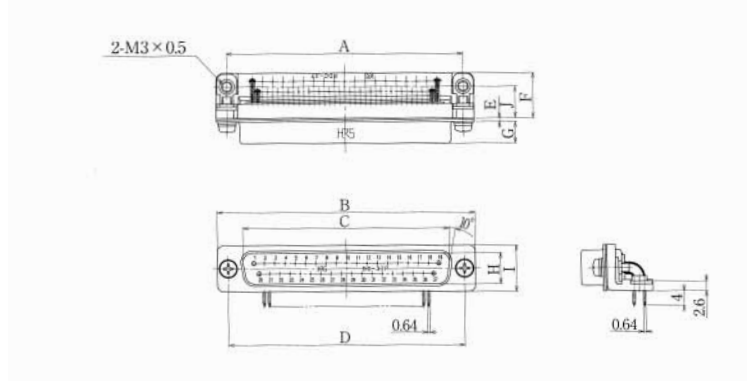
R D C B — 37 P — LN (05)

(1) (2) (3) (4) (5) (6) (7)

- (1) Series name
RD : DSUB Right Angle Type
- (2) Shell size E, A, B, C, D
- (3) Serial symbol by type of connector unit
- (4) No of pins : 37, 50
- (5) Type of Contacts
P: Pin Connectors
S: Socket Connector
- (6) LN : With Metric Screw Lock Assembly
- (7) (05) and 4-40 Screw Lock Thread are available.

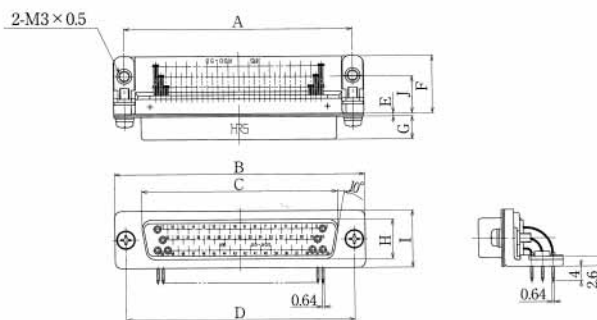


RDCB-37P(05)



Unit: mm

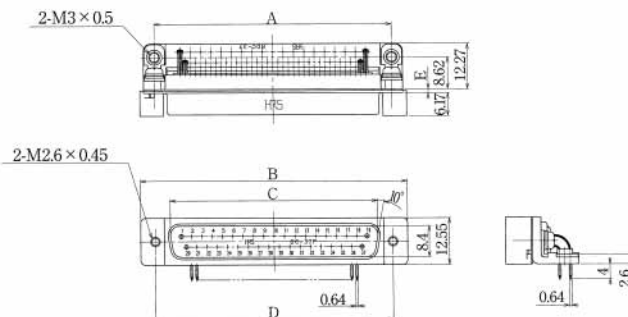
HRS No	No of pin	Part No.	A	B	C	D	E	F	G	H	I	J	RoHS
CL211-0221-0-05	37	RDCB-37P(05)	63.5	69.32	55.47	63.5	1.0	12.27	5.87	8.4	12.55	8.62	YES
CL211-0440-3-05	50	RDCB-50P(05)	61.11	66.93	52.85	61.11	1.0	15.5	5.87	11.13	15.37	10.04	



RDDB-50S (05)

Unit: mm

HRS No	No of pin	Part No.	A	B	C	D	E	F	G	H	I	J	RoHS
CL211-0441-6-05	50	RDDB-50S (05)	61.11	66.93	52.35	61.11	0.8	15.4	6.17	10.63	15.37	10.04	YES



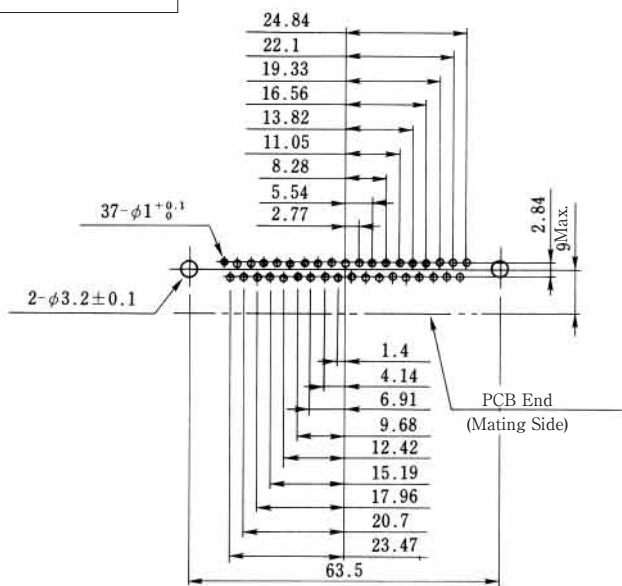
RDCB-37P-LN (05)

Unit: mm

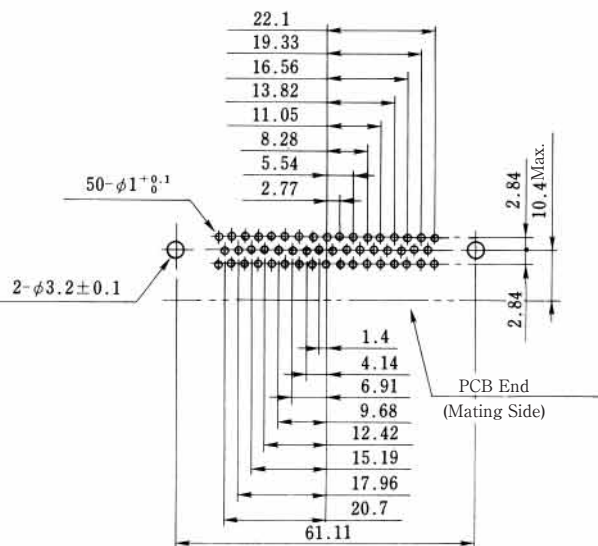
HRS No	No of pin	Part No.	A	B	C	D	E	RoHS
CL211-0227-6-05	37	RDCB-37P-LN (05)	63.5	71.32	55.47	63.5	1.0	YES

Recommended Mounting Hole Pattern (mm)

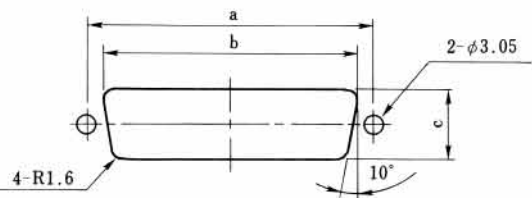
RDCB-37



RDDB-50



Mounting Cutout



Unit: mm

Shell Size	a	b	c
C	63.50	58.7	11.5
D	61.11	56.0	14.3

Mouser Electronics

Authorized Distributor

Click to View Pricing, Inventory, Delivery & Lifecycle Information:

Hirose Electric:

[RDED-9P-LNA\(4-40\)\(55\)](#) [RDED-9S-LN\(55\)](#) [RDED-9P-LNA\(55\)](#) [RDED-9S-LNA\(55\)](#) [RDED-9SE-LN\(55\)](#) [RDCD-37SA-LN\(55\)](#) [RDCD-37S-LN\(55\)](#) [RDED-9SE-LNA\(51\)](#) [RDED-9S-LN\(4-40\)\(55\)](#) [RDED-9P\(4-40\)\(55\)](#) [RDED-9PE1/M2.6\(55\)](#) [RDED-9S-LNA\(4-40\)\(57\)](#) [RDCD-37SE-LNA\(4-40\)\(55\)](#) [RDCD-37SE1/M2.6\(55\)](#) [RDED-9SA-LNA\(55\)](#) [RDED-9S\(55\)](#) [RDED-9PE1/M2.6\(57\)](#) [RDED-9PE-LN\(57\)](#) [RDCD-37S\(55\)](#) [RDED-9PE-LNA\(4-40\)\(55\)](#) [RDCD-37SE-LN\(55\)](#) [RDED-9PE-LNA\(4-40\)\(57\)](#) [RDCD-37SA-LNA\(55\)](#) [RDED-9SE-LNA\(55\)](#) [RDED-9S-LNA\(4-40\)\(55\)](#) [RDED-9SE1/M2.6\(57\)](#) [RDED-9P\(55\)](#) [RDED-9PA-LNA\(4-40\)\(55\)](#) [RDCD-37S-LNA\(55\)](#) [RDED-9P-LN\(55\)](#) [RDCD-37SE-LNA\(55\)](#) [RDED-9SA-LNA\(4-40\)\(55\)](#) [RDED-9SE-LNA\(4-40\)\(55\)](#) [RDED-9SE1/M2.6\(55\)](#) [RDED-9PE-LN\(55\)](#) [RDED-9PE-LNA\(55\)](#) [RDCD-37S-LNA\(4-40\)\(55\)](#) [RDED-9PA-LNA\(55\)](#) [RDED-9P-LN\(4-40\)\(55\)](#) [RDDDB-50P\(05\)](#) [RDCB-37P-LNA\(50\)](#) [RDDDB-50S\(05\)](#) [RDDDB-50S-LNA\(05\)](#) [RDCB-37P\(05\)](#) [RDCB-37P-LN\(05\)](#) [RDDDB-50PF-LNA\(05\)](#)