

THIS DRAWING IS UNPUBLISHED.

RELEASED FOR PUBLICATION

2011

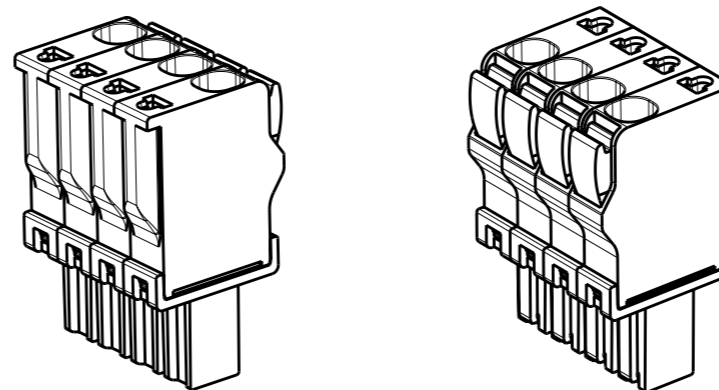
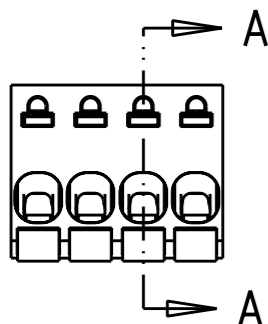
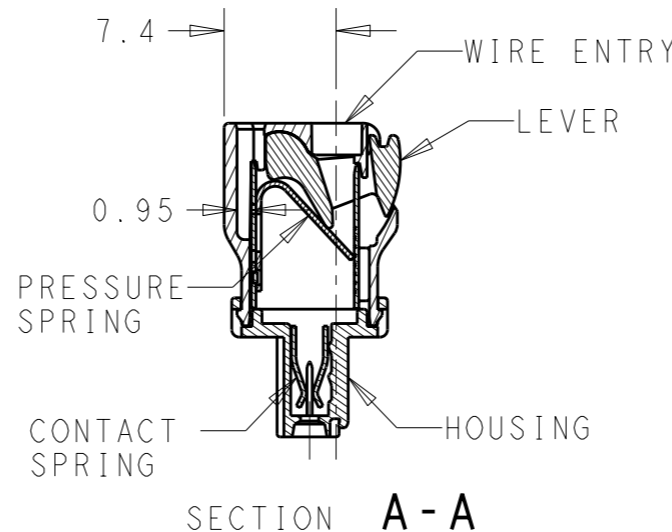
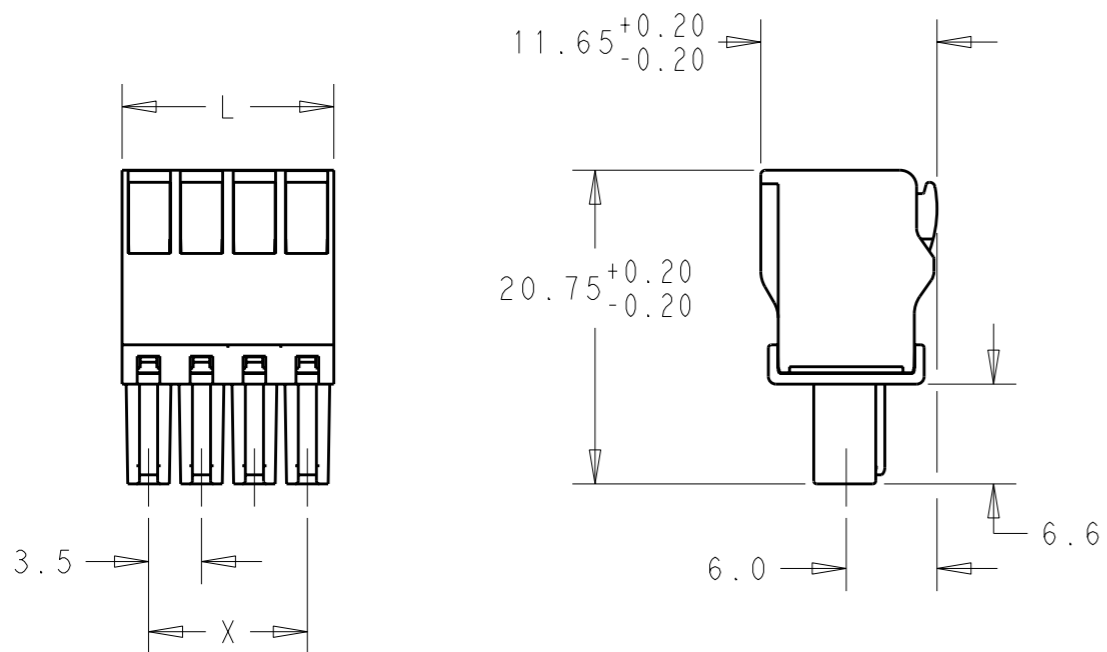
© COPYRIGHT 2011

ALL RIGHTS RESERVED.

LOC AI DIST -

REVISIONS

| P | LTR | DESCRIPTION               | DATE    | DWN | APVD |
|---|-----|---------------------------|---------|-----|------|
|   | A   | REVISED PER ECO-12-002880 | 14FEB12 | KH  | MS   |



**MATERIALS**  
 HOUSING-POLYAMIDE, COLOR-GREEN  
 LEVER-POLYAMIDE, COLOR ORANGE  
 CONTACT SPRING-COPPER ALLOY-LEAD FREE TIN PLATED  
 CLAMPING SPRING-STEEL

**MECHANICAL**  
 INSERTION FORCE PER POLE- 3 NEWTON MAX  
 WITHDRAWAL FORCE PER POLE- 1.5 NEWTON MIN  
 STRIPPING LENGTH- 10.5 TO 11.5 MM  
 OPERATING TEMPERATURE--40°C TO +110°C

**ELECTRICAL**  
 WIRE SIZE= 30 TO 14 AWG SOLID OR STRANDED  
 VOLTAGE RATING- 300 VOLTS  
 CURRENT RATING- 11 AMP STRANDED; 9AMP SOLID  
 CONTACT RESISTANCE-15 MILLOHM MAX  
 INSULATION RESISTANCE-10<sup>9</sup> OHMS MIN (500V DC)

|       |       |      |             |
|-------|-------|------|-------------|
| 84.00 | 87.50 | 25   | 2-1986692-5 |
| 80.50 | 84.00 | 24   | 2-1986692-4 |
| 77.00 | 80.50 | 23   | 2-1986692-3 |
| 73.50 | 77.00 | 22   | 2-1986692-2 |
| 70.00 | 73.50 | 21   | 2-1986692-1 |
| 66.50 | 70.00 | 20   | 2-1986692-0 |
| 63.00 | 66.50 | 19   | 1-1986692-9 |
| 59.50 | 63.00 | 18   | 1-1986692-8 |
| 56.00 | 59.50 | 17   | 1-1986692-7 |
| 52.50 | 56.00 | 16   | 1-1986692-6 |
| 49.00 | 52.50 | 15   | 1-1986692-5 |
| 45.50 | 49.00 | 14   | 1-1986692-4 |
| 42.00 | 45.50 | 13   | 1-1986692-3 |
| 38.50 | 42.00 | 12   | 1-1986692-2 |
| 35.00 | 38.50 | 11   | 1-1986692-1 |
| 31.50 | 35.00 | 10   | 1-1986692-0 |
| 28.00 | 31.50 | 9    | 1986692-9   |
| 24.50 | 28.00 | 8    | 1986692-8   |
| 21.00 | 24.50 | 7    | 1986692-7   |
| 17.50 | 21.00 | 6    | 1986692-6   |
| 14.00 | 17.50 | 5    | 1986692-5   |
| 10.50 | 14.00 | 4    | 1986692-4   |
| 7.00  | 10.50 | 3    | 1986692-3   |
| 3.50  | 7.00  | 2    | 1986692-2   |
| DIM X | DIM L | POLE | PART NUMBER |

|   |       |                               |   |                      |       |       |       |       |    |       |    |        |     |              |                      |  |
|---|-------|-------------------------------|---|----------------------|-------|-------|-------|-------|----|-------|----|--------|-----|--------------|----------------------|--|
| THIS DRAWING IS A CONTROLLED DOCUMENT.  |       | DWN 12JAN2012<br>KIRAN HOLAL  | TE Connectivity                             |                      |       |       |       |       |    |       |    |        |     |              |                      |  |
| DIMENSIONS: mm  |       | CHK 12JAN2012<br>MIKE SARVER  |   |                      |       |       |       |       |    |       |    |        |     |              |                      |  |
| TOLERANCES UNLESS OTHERWISE SPECIFIED:  |       | APVD 12JAN2012<br>MIKE SARVER | NAME<br>STRAIGHT SPRING TYPE PLUG CONNECTOR |                      |       |       |       |       |    |       |    |        |     |              |                      |  |
| <table border="0"> <tr><td>0 PLC</td><td>±-</td></tr> <tr><td>1 PLC</td><td>±0.40</td></tr> <tr><td>2 PLC</td><td>±0.20</td></tr> <tr><td>3 PLC</td><td>±-</td></tr> <tr><td>4 PLC</td><td>±-</td></tr> <tr><td>ANGLES</td><td>±1°</td></tr> </table> |       | 0 PLC                         | ±-  | 1 PLC                | ±0.40 | 2 PLC | ±0.20 | 3 PLC | ±- | 4 PLC | ±- | ANGLES | ±1° | PRODUCT SPEC | SIDE STACKABLE RIGHT |  |
| 0 PLC   | ±-    |                               |   |                      |       |       |       |       |    |       |    |        |     |              |                      |  |
| 1 PLC   | ±0.40 |                               |   |                      |       |       |       |       |    |       |    |        |     |              |                      |  |
| 2 PLC   | ±0.20 |                               |   |                      |       |       |       |       |    |       |    |        |     |              |                      |  |
| 3 PLC   | ±-    |                               |   |                      |       |       |       |       |    |       |    |        |     |              |                      |  |
| 4 PLC   | ±-    |                               |   |                      |       |       |       |       |    |       |    |        |     |              |                      |  |
| ANGLES  | ±1°   |                               |   |                      |       |       |       |       |    |       |    |        |     |              |                      |  |
| MATERIAL - FINISH -   |       | APPLICATION SPEC              | 02 - 25 POLES PITCH 3.50mm                  |                      |       |       |       |       |    |       |    |        |     |              |                      |  |
|   |       | WEIGHT -                      | SIZE A3                                     | RESTRICTED TO -      |       |       |       |       |    |       |    |        |     |              |                      |  |
|   |       | CUSTOMER DRAWING              | CAGE CODE 00779                             | DRAWING NO C-1986692 |       |       |       |       |    |       |    |        |     |              |                      |  |
|   |       |                               | SCALE 2:1                                   | SHEET 1 OF 1 REV A   |       |       |       |       |    |       |    |        |     |              |                      |  |

# Mouser Electronics

Authorized Distributor

Click to View Pricing, Inventory, Delivery & Lifecycle Information:

[TE Connectivity:](#)

[1-1986692-0](#)