

THIS DRAWING IS UNPUBLISHED.

RELEASED FOR PUBLICATION

2008

© COPYRIGHT 2008 BY -

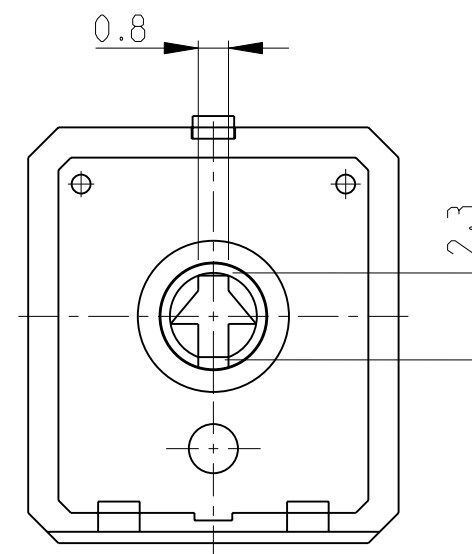
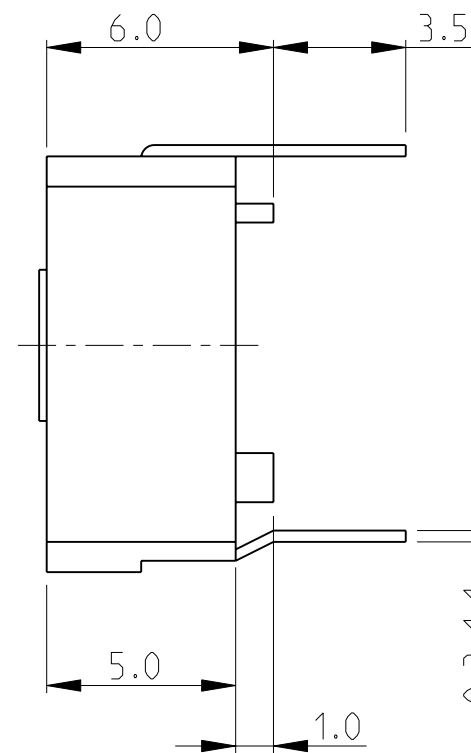
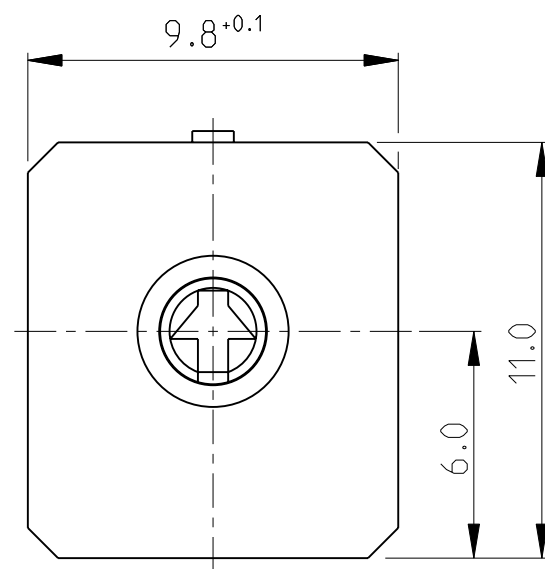
ALL RIGHTS RESERVED.

LOC	DIST
E	B

REVISIONS

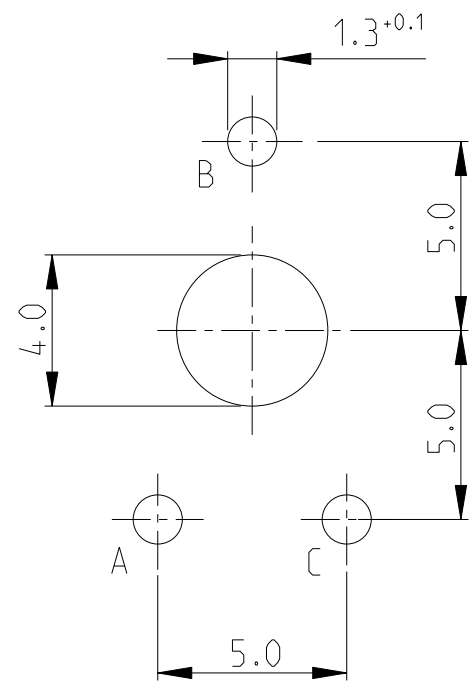
P	LTR	DESCRIPTION	DATE	DWN	APVD
	BA1	REVISED PER ECO-11-005150	28MAR2011	RK	HMR

CB10LV AS SHOWN

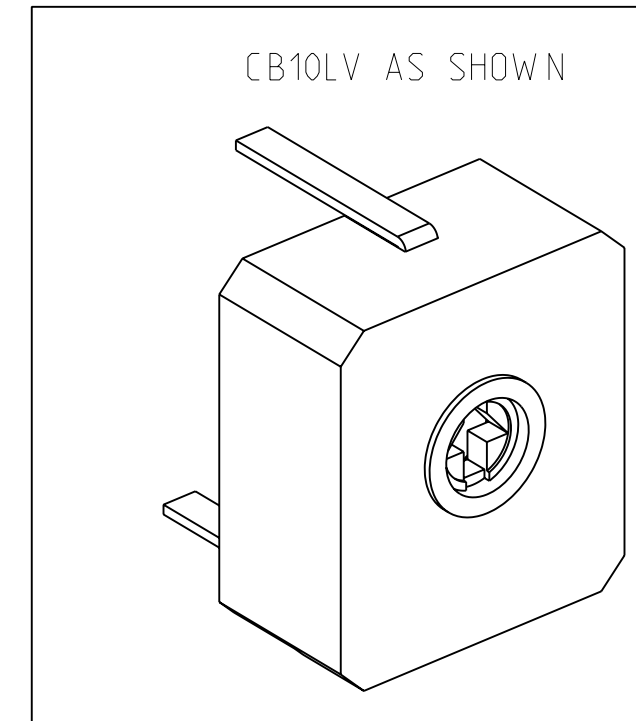


FOR FURTHER INFORMATION SEE DATA SHEET FOR CB10 SERIES-CARBON ECONOMY TRIMMERS


RECOMMENDED PCB PATTERN



RoHS Compliant



THIS DRAWING IS A CONTROLLED DOCUMENT.		DWN	SUBHASH.M	17-SEP-08
DIMENSIONS: mm		CHK	PRAKASH.S	17-SEP-08
TOLERANCES UNLESS OTHERWISE SPECIFIED:		APVD	STEPHEN.P	17-SEP-08
0 PLC ±0.5		PRODUCT SPEC	-	
1 PLC ±0.2		APPLICATION SPEC	-	
2 PLC ±0.1		WEIGHT	-	
3 PLC ±-		CUSTOMER DRAWING	-	
4 PLC ±-		SCALE	5:1	
ANGLES ±5°		SHEET	1 OF 1	
FINISH -		REV	BA1	

 TE Connectivity			
NAME			
CARBON ECONOMY TRIMMERS			
SERIES CB10 LV			
SIZE	CAGE CODE	DRAWING NO	RESTRICTED TO
A3	00779	©= 1630480	-

Mouser Electronics

Authorized Distributor

Click to View Pricing, Inventory, Delivery & Lifecycle Information:

[TE Connectivity:](#)

[CB10LV101M](#)