

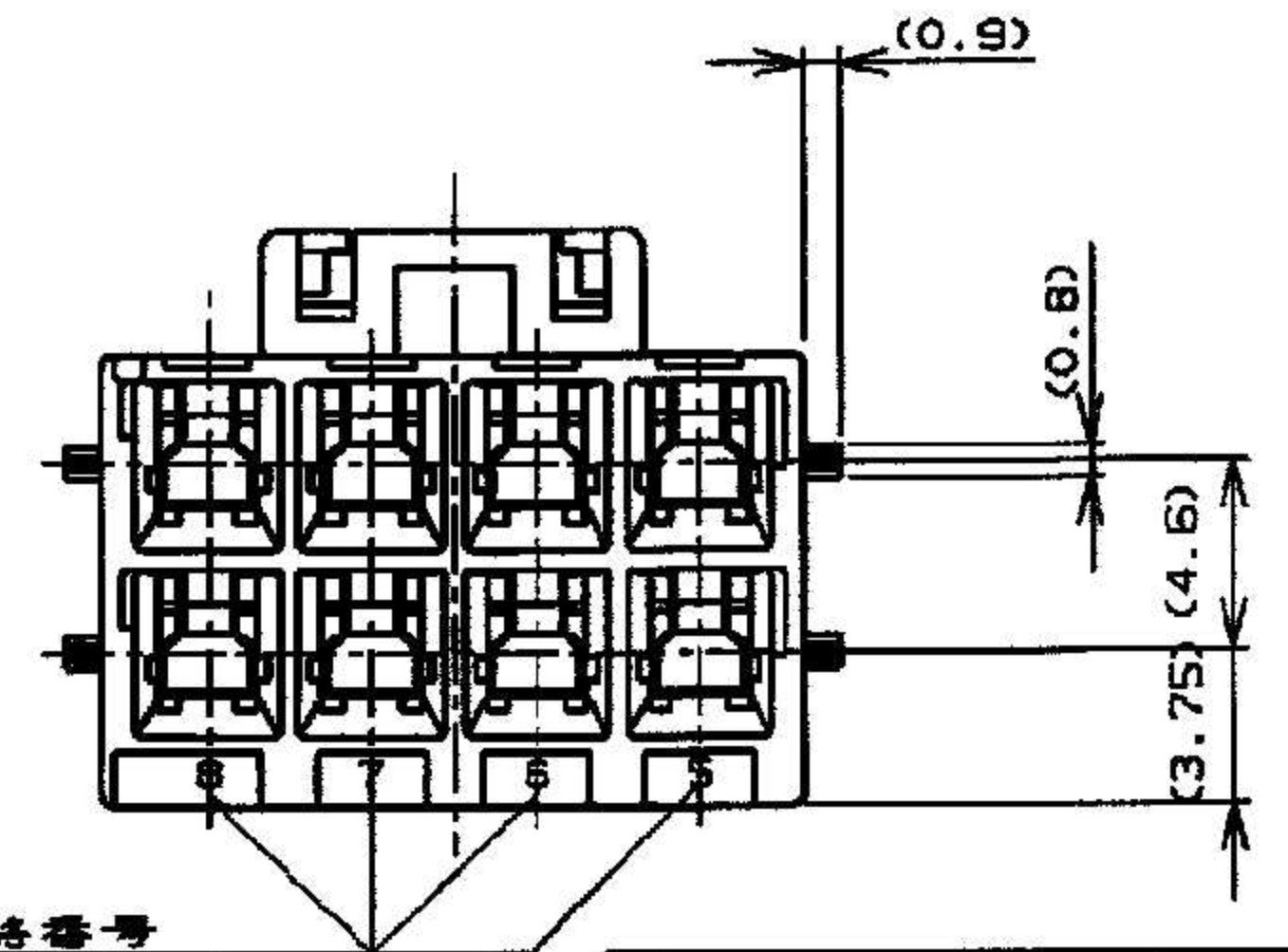
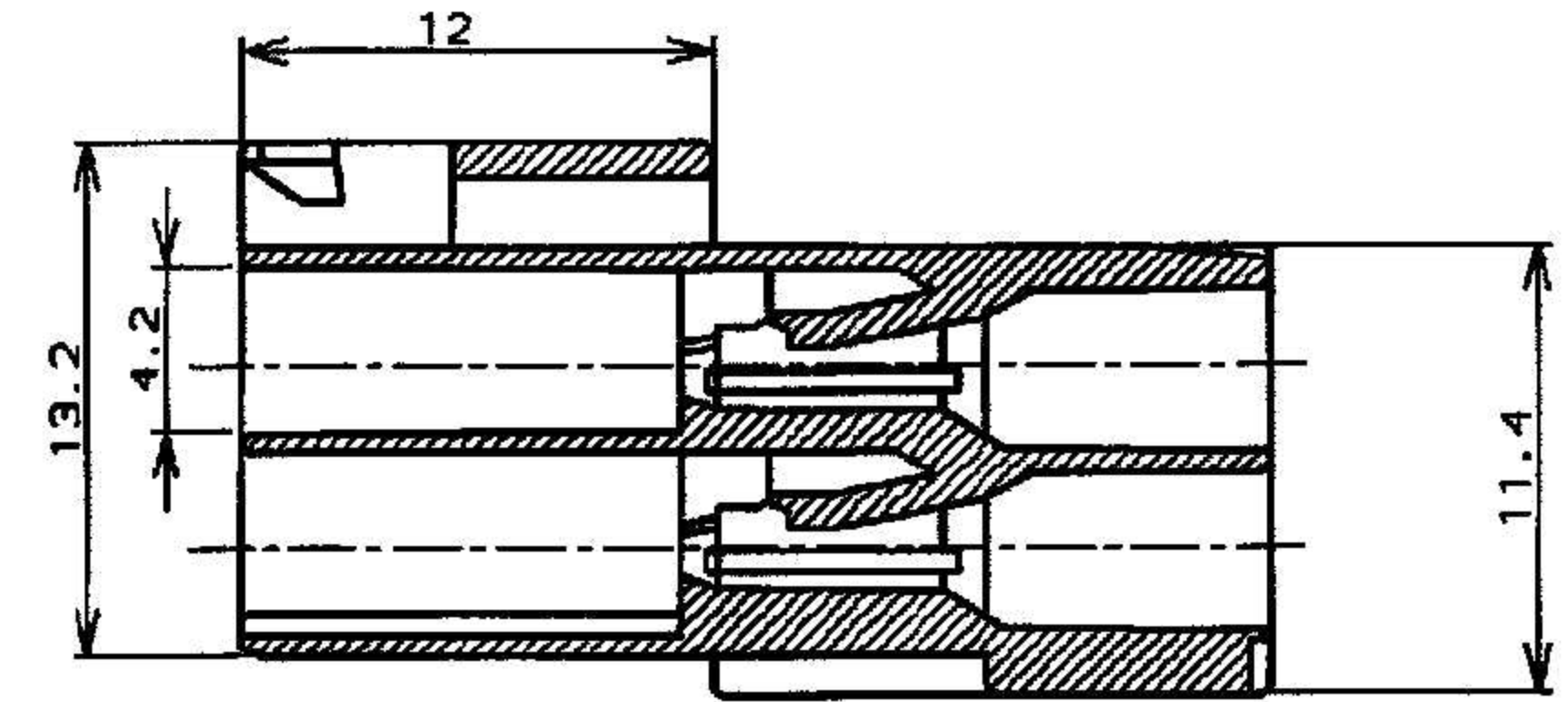
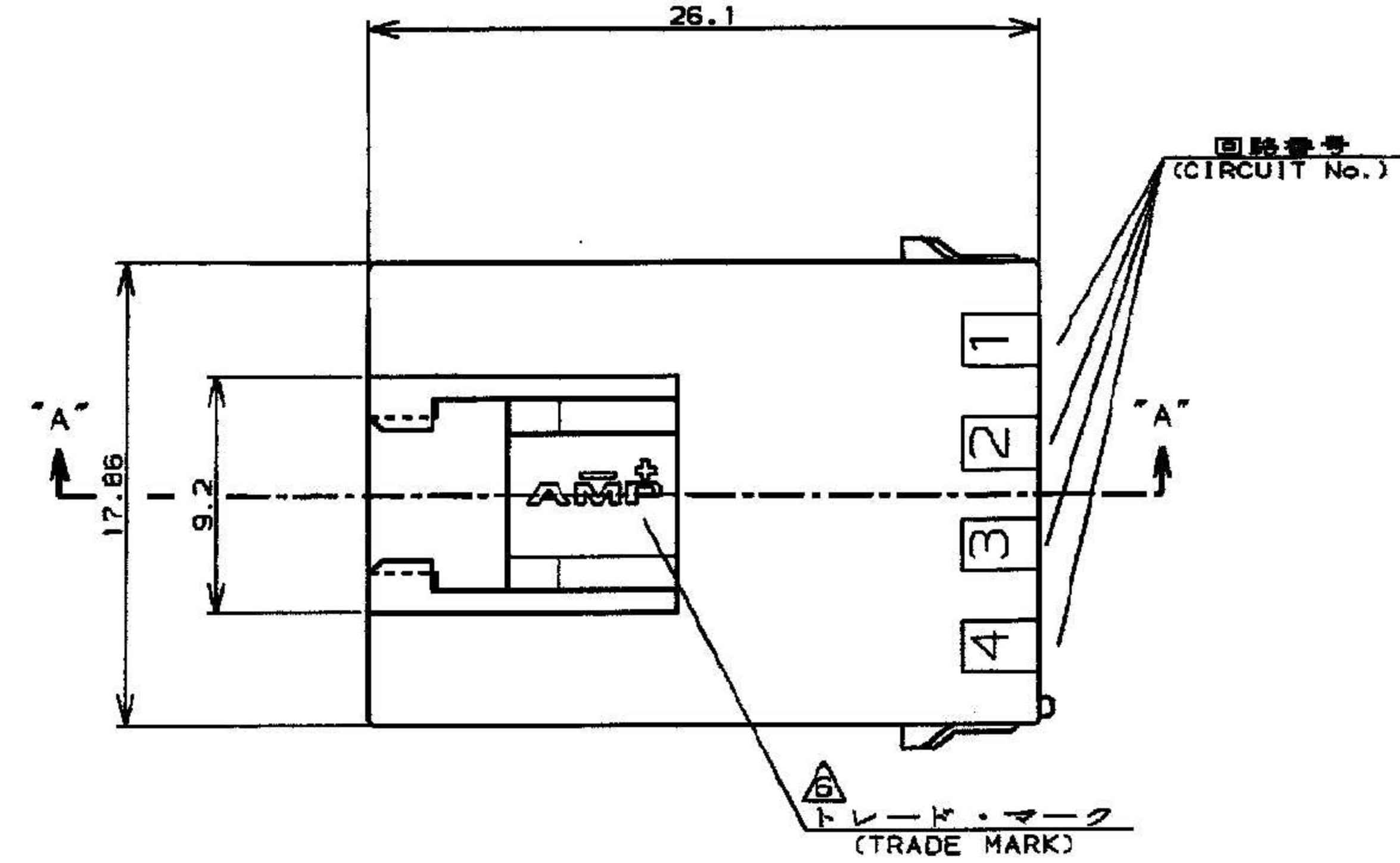
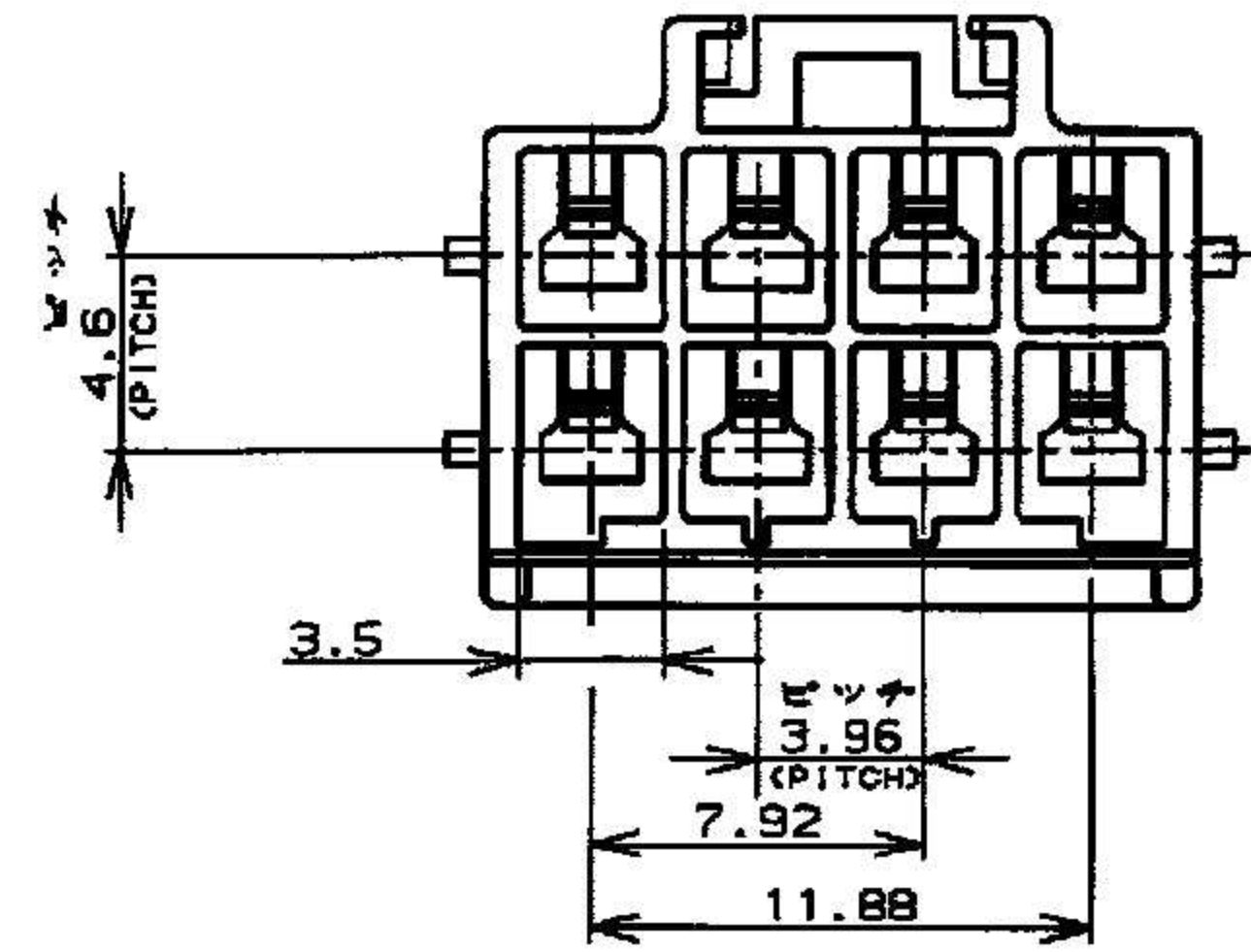
NUMBER C-179467  
METRIC

PRINT DIST  
DIMENSIONS IN MM. DO NOT SCALE PRINT

注:

1. 適用製品規格: 108-5410
2. 適用コンタクト型番  
タブ・コンタクト: 177917-1[\*20-#16AWG]  
177916-1[\*26-#22AWG]
3. 嵌合相手側製品型番  
プラグ・ハウジング: 177902-1  
リセ・コンタクト: 177915-1[\*20-#16AWG]  
177914-1[\*26-#22AWG]
4. 適用プレート型番: 177920-1
5. 取扱説明書: 411-5638

△ 表1参照



△ 表1 (TABLE 1)

トレードマーク (TRADE MARK)	生産場所 (MANUFACTURING PLACE)
-AMP OR AMP	日本 (JAPAN)
-+AMP OR AMP	中国 (CHINA(PRC))
*AMP OR AMP	韓国 (KOREA)

NOTES:

1. PRODUCT SPEC., 108-5410
2. APPLICABLE CONTACT P/N  
TAB CONTACT: 177917-1[\*20-#16AWG]  
177916-1[\*26-#22AWG]
3. MATING CONN. P/N  
PLUG HSG: 177902-1  
REC CONTACT: 177915-1[\*20-#16AWG]  
177914-1[\*26-#22AWG]
4. APPLICABLE PLATE P/N: 177920-1
5. INSTRUCTION SHEET: 411-5638

断面 "A-A" (SECT)

7. PART 5-179467-1 COMPLY WITH GLOW WIRE REQUIREMENT FOR PARTS OF NON-METALLIC MATERIAL SUPPORTING A CURRENT-CARRYING CONNECTION DETAILED IN IEC 60335-1, SECTION 30(GWT)
  8. PART 179467-7 COMPLY WITH HOT WIRE REQUIREMENT, PA66, UL 94V-0, HOT WIRE IGNITION(HWI) VERSION ARE MOLDED IN A RESIN THAT COMPLIES WITH TE HOT WIRE IGNITION TEST 109-32026 AND ARE RECOMMENDED FOR USE WITH HWI HOUSING THAT ALSO COMPLY.
- △ Preliminary-not for production

REV	DESCRIPTION	DATE	BY	CHK	DATE
B3	REVISED ECR-14-017020	14NOV 2014	W.W.	D.Z.	
B2	REVISED ECR-14-013449	14SEP 2014	W.W.	D.Z.	
B1	REVISED ECR-13-019881	23DEC '13	A.Z.	D.Z.	
B	変更 FJ00-1369-01	11/30/14	all	ms	
A	変更 FJ00-0953-98	11/11/14	TY	MS	
O	作成 FJ00-1011-94	5/AUG/94	M.S.	Y.K.	

適合電線径範囲 (WIRE RANGE)	絶縁材径 (INSULATION DIA.)	名称 (NAME)
mm <sup>2</sup> (AWG)	mmφ	アンブ パワー ダブルロック コネクタ
材料 (MATERIAL)	仕上 (FINISH)	B 極 3.96mmピッチ キャップ・ハウジング (雷吊りタイプ)
6/6 ナイロン (UL94V-0)	---	AMP POWER DOUBLE LOCK CONN. 3.96mm PITCH CAP HOUSING B Pos (FREE HANGING)
6/6 NYLON (UL94V-0)	---	一般公差
DR. 20/JUL/'94 N. NAGASHIMA	DE. 20/JUL/'94 M. SHINDO	10mm以下: ±0.2
CHK. 5/AUG/'94 M. SHINDO	APP. 5/AUG/'94 Y. KASHIWA	10mm以上 30mm以下: ±0.25
		30mm以上 100mm以下: ±0.3
		角 度: ±3°

自然色 (NATURAL)	B	179467-7 △
自然色 (NATURAL)	B	5-179467-1
青 (BLUE)	↑	↑ -6
黄 (YELLOW)	↑	↑ -4
自然色 (NATURAL)	B	179467-1
ハウジング色調 (HOUSING COLOR)	極数 (Pos.)	型番 (P/N)

**AMP** Tyco Electronics AMP K.K. Kawasaki, Japan

SIZE	LOC	番号 (No.)
B	J	C-179467
尺度 (SCALE)	REV.	SHEET
---	B3	1 OF 1

CUSTOMER DRAWING

REV. 10/028600

# Mouser Electronics

Authorized Distributor

Click to View Pricing, Inventory, Delivery & Lifecycle Information:

[TE Connectivity:](#)

[179467-1](#)