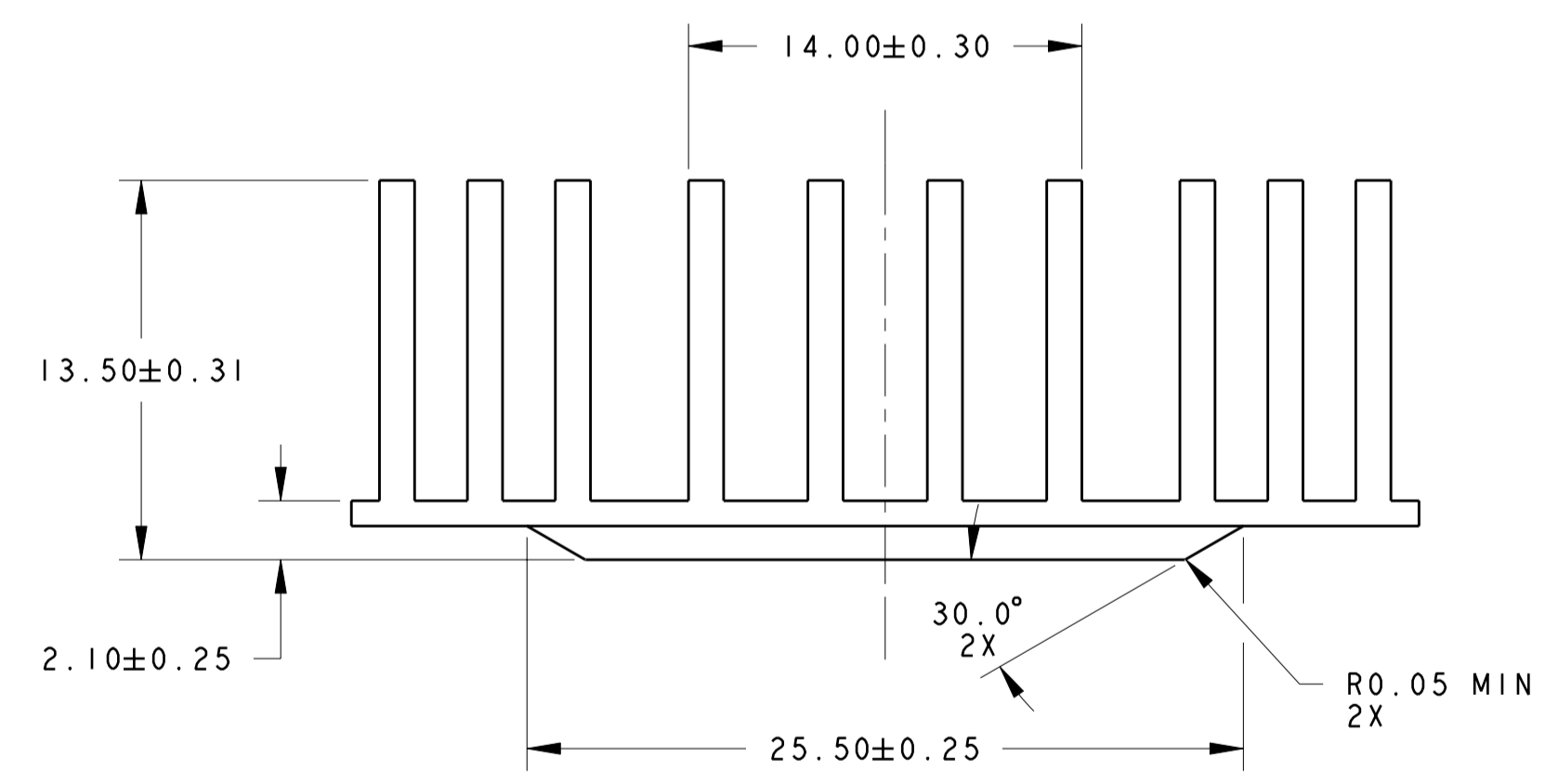
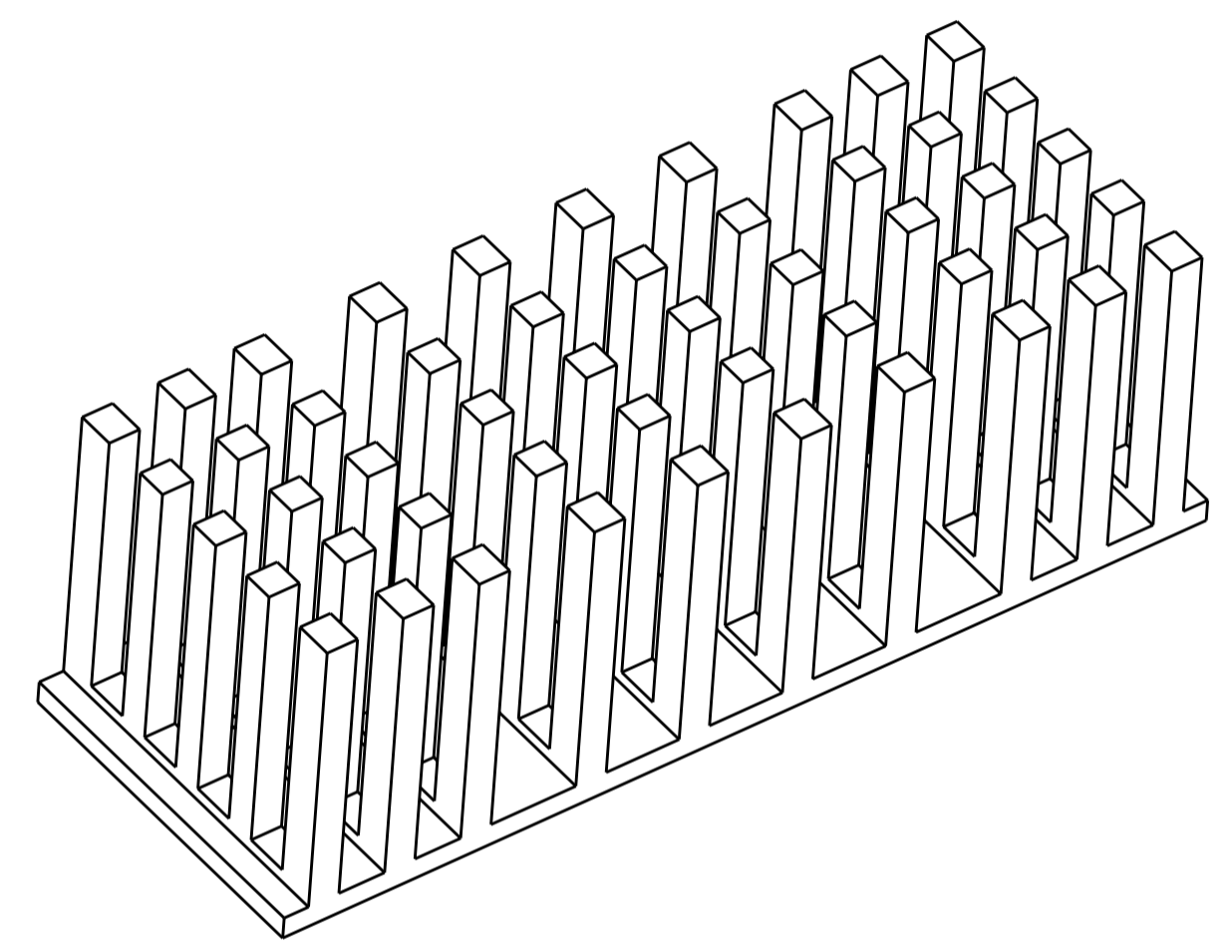
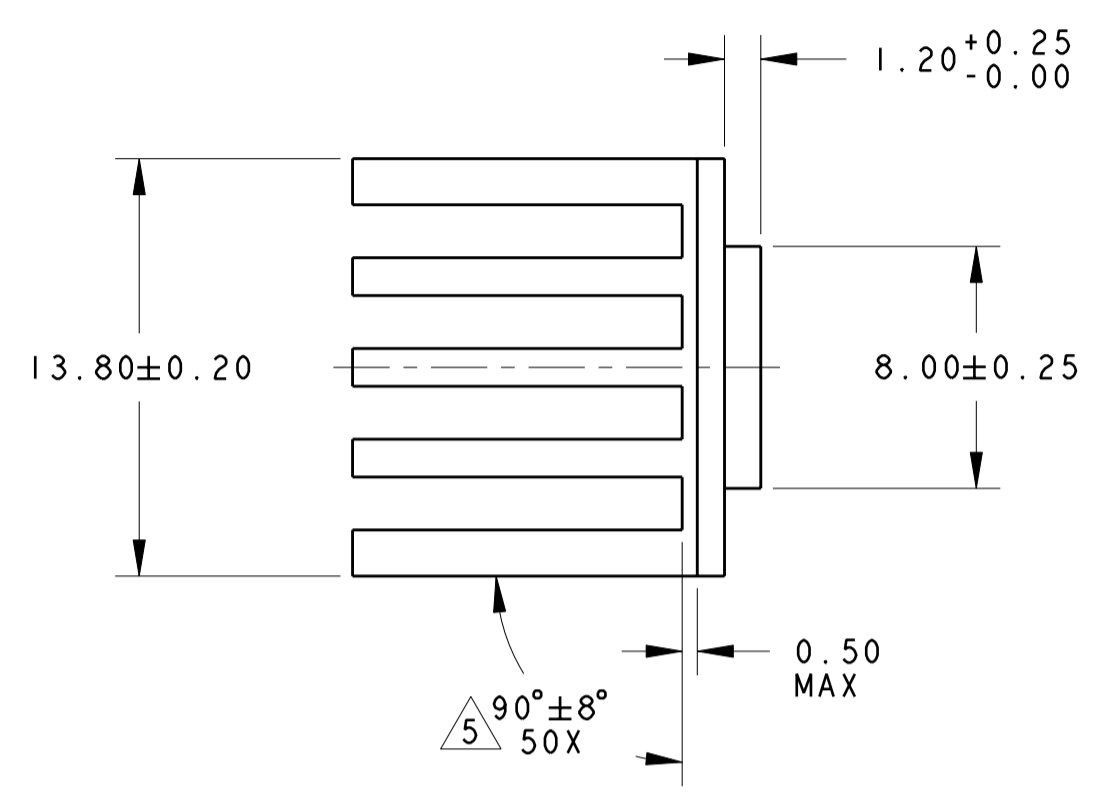
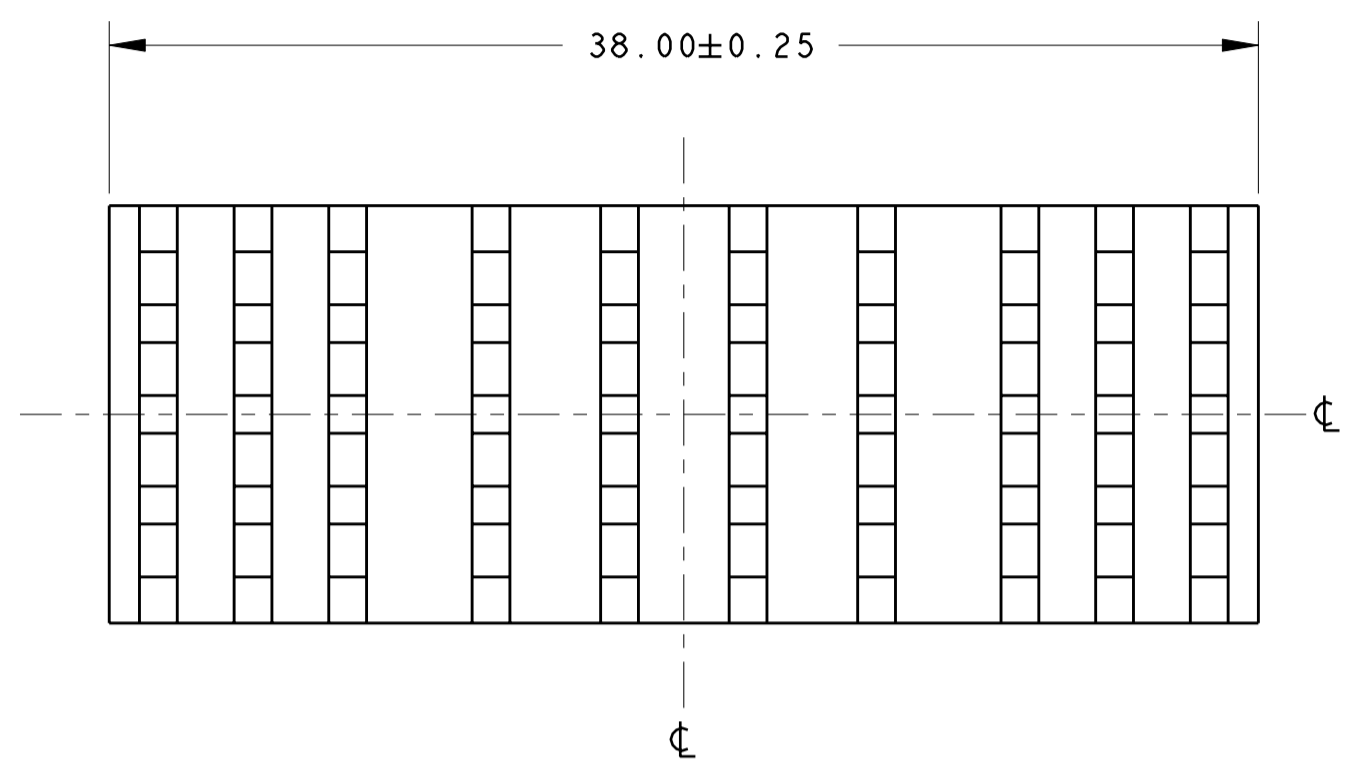


| LOC | | DIST | | REVISIONS | | | |
|-----|-----|---------------------------|-----------|-----------|------|--|--|
| P | LTR | DESCRIPTION | DATE | DWN | APVD | | |
| C | | REVISED | 22JUL2009 | DH | JE | | |
| C1 | | REVISED PER ECO-10-001873 | 19FEB2010 | DH | JE | | |
| C2 | | REVISED PER ECO-10-014519 | 21MAY2010 | MB | MB | | |



- NOTES:
 UNLESS OTHERWISE SPECIFIED
- 1 MATERIAL: 6063 ALUMINUM.
 - 2 FINISH: ELECTROLESS NICKEL 0.76-2.54 MICROMETERS THICK. ROHS COMPLIANT.
 3. 0.2mm MAX BURR.
 4. VARIATION IN PLATING COLOR IS NORMAL AND ALLOWED.
 - 5 MAXIMUM PIN LEAN OF 8° IN ANY DIRECTION.
 6. ROHS COMPLIANT AND CERTIFIED.
 - 7 FINISH: HARD ANODIC COATING PER MIL-A-8625 TYPE III, 40.64 MICROMETERS MINIMUM THICK.

| | |
|--------|-------------|
| 7 | 1829905-4 |
| 2 | 1829905-2 |
| FINISH | PART NUMBER |

| | | | | |
|---|-------------|----------------------------|---|--------------------|
| THIS DRAWING IS A CONTROLLED DOCUMENT FOR TYCO ELECTRONICS CORPORATION. IT IS SUBJECT TO CHANGE AND THE CONTROLLING ENGINEERING ORGANIZATION SHOULD BE CONTACTED FOR THE LATEST REVISION. | | DWN E. TAO 6-26-06 | Tyco Electronics Harrisburg, PA 17105-3608 | |
| DIMENSIONS: mm | | CHK V. KHEIL 7-13-06 | NAME HEAT SINK SFP DWDM 13.5mm TALL | |
| TOLERANCES UNLESS OTHERWISE SPECIFIED: 0 PLC ±.2 1 PLC ±.10 2 PLC ±.08 3 PLC ±.08 4 PLC ±0.0001 ANGLES ±5 FINISH | | APVD - | PRODUCT SPEC - | RESTRICTED TO - |
| MATERIAL 1 | FINISH 2 | APPLICATION SPEC - | WEIGHT - | SIZE A200779 |
| CUSTOMER DRAWING | | SCALE 4:1 | DRAWING NO. C-1829905 | SHEET 1 |
| | | | | REV C2 |

Mouser Electronics

Authorized Distributor

Click to View Pricing, Inventory, Delivery & Lifecycle Information:

[TE Connectivity:](#)

[1829905-4](#)