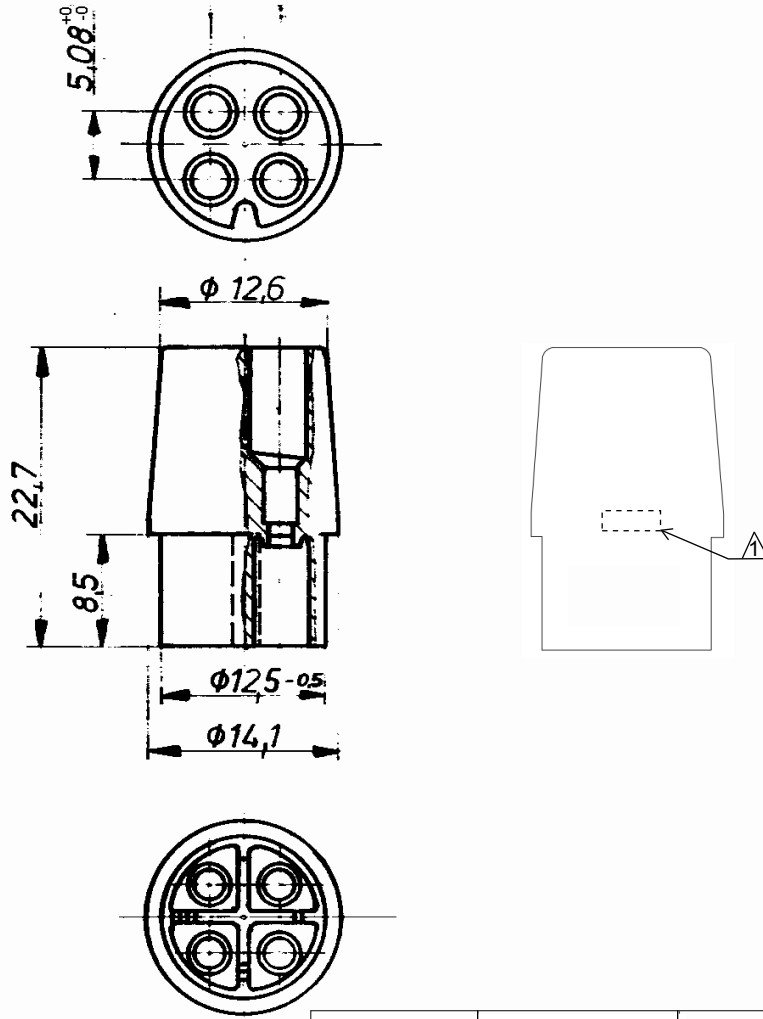


LOC	DIST	REVISIONS						
P	LTR	DESCRIPTION			DATE	DWN	APVD	
AL	2	C5	REVISED PER ECR-15-014424			18NOV2015	NK	EW



1 FROST TE LOGO ON THIS SURFACE  
PER P/N: 1621426-4

925076-7	PA66 GWT 750°C-V0	NATURAL
925076-6	PA6 GWT750°C-V2	NATURAL
925076-4	PA66	RED
925076-3	PA66	BLACK
OBSOLETE 925076-2	PA66 UL94	WHITE
OBSOLETE 925076-1	PA66 UL94	NATURAL
925076	PA66 UL94 V-2	NATURAL
PN	MATERIAL	COLOUR

THIS DRAWING IS UNPUBLISHED.  
 RELEASSED FOR PUBLICATION 20  
 © COPYRIGHT 20 BY TYCO ELECTRONICS CORPORATION. ALL RIGHTS RESERVED.

DIMENSIONS: mm	DWN J. SALO 10AUG2009	MATERIAL	SEE TABLE	FINISH	-
TOLERANCES UNLESS OTHERWISE SPECIFIED:	CHK R. SOLE 10AUG2009				
0 PLC ±-	APVD G. TURCO 10AUG2009				
1 PLC ±0,4	PRODUCT SPEC	NAME			
2 PLC ±0,4	-	4 WAY CIRCULAR MATE-N-LOK SOCKET HOUSING			
3 PLC ±-	APPLICATION SPEC	SIZE	CAGE CODE	DRAWING NO	RESTRICTED TO
4 PLC ±-	-	A4	00779	C-925076	-
ANGLES ±1° 30'	WEIGHT	CUSTOMER DRAWING			
	-	SCALE	2:1	SHEET	1 OF 1
				REV	C5

# Mouser Electronics

Authorized Distributor

Click to View Pricing, Inventory, Delivery & Lifecycle Information:

[TE Connectivity:](#)

[925076-3](#)