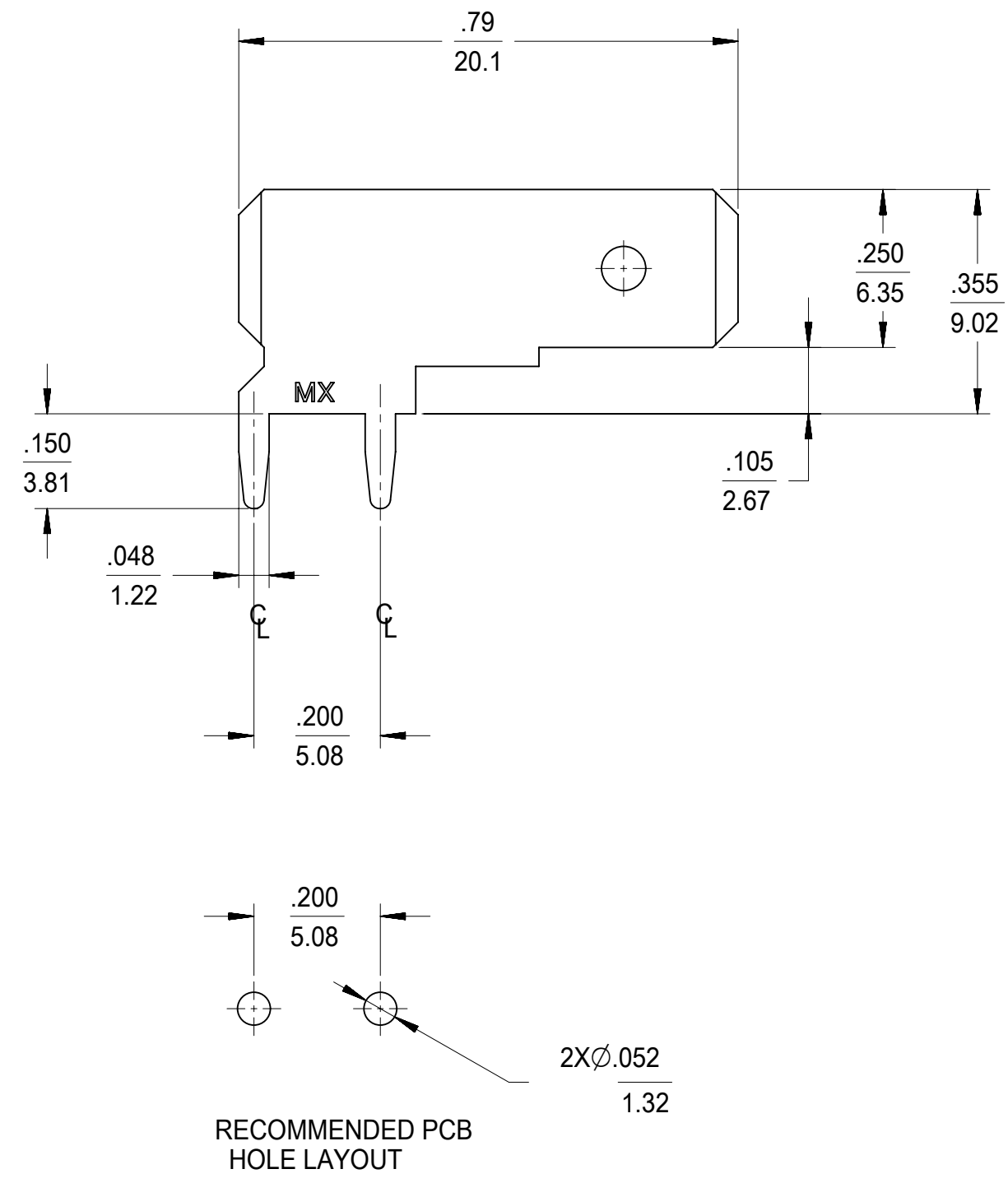
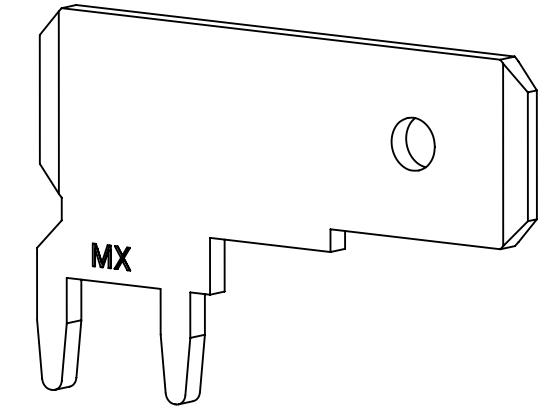
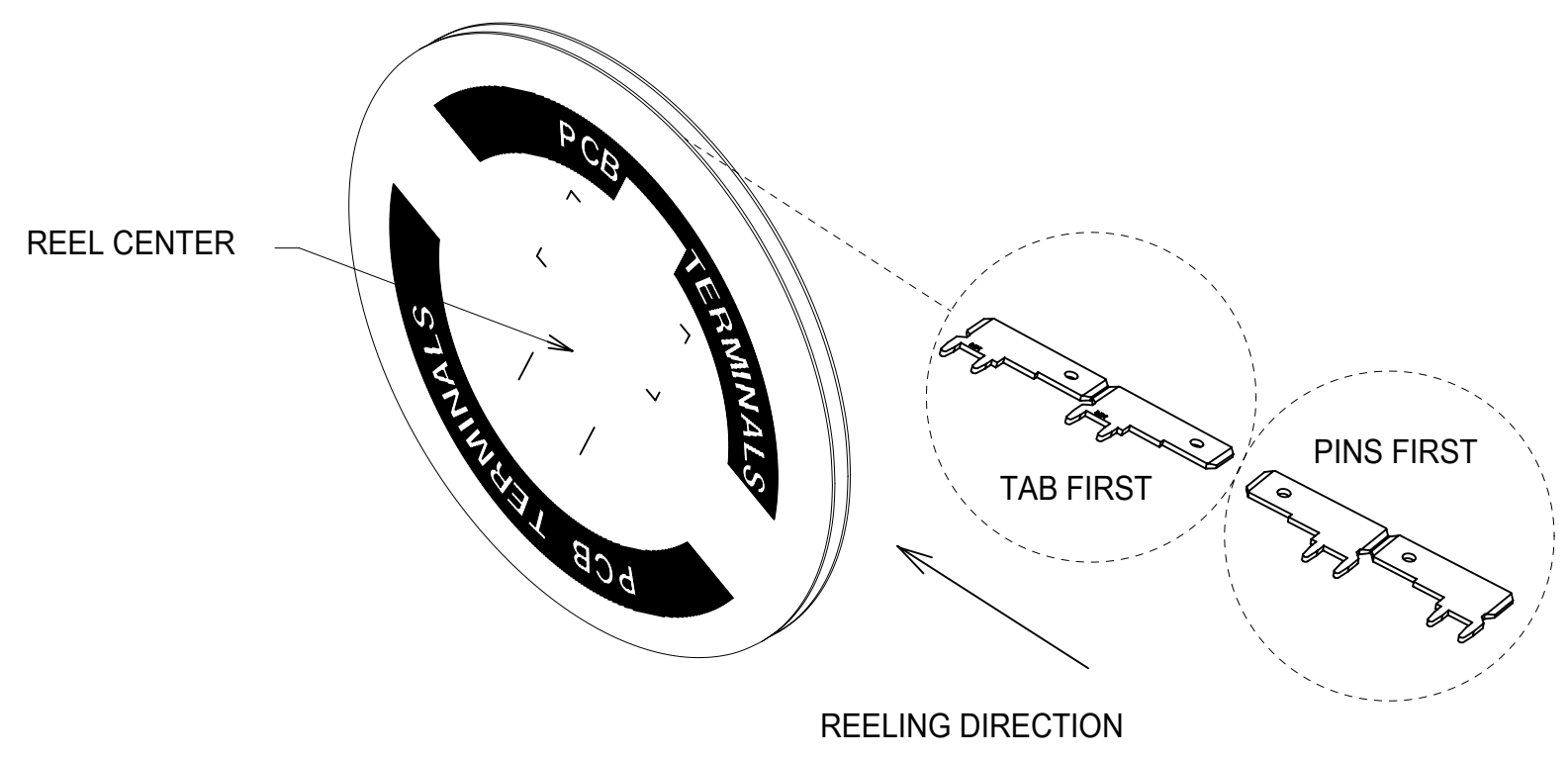
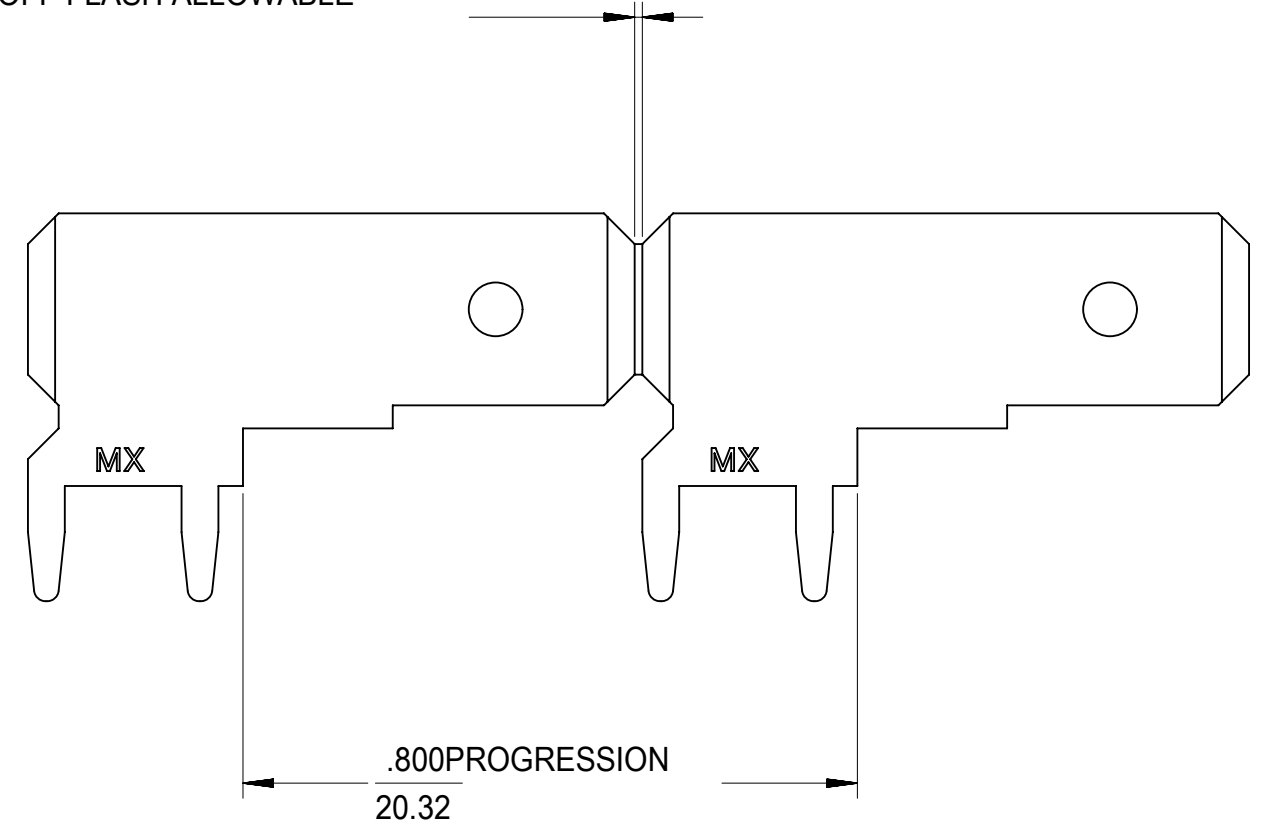


MATERIAL NUMBER	ENGINEERING NUMBER	CARRIER	PIN ORIENTATION	DIMENSION "A"	DIMENSION "B"
197134003	19713-4003	STRIP	"TAB FIRST"	.355/9.02	.250/6.35
197134004	19713-4004	STRIP	"PINS FIRST"		
197134001	19713-4001	LOOSE	-----		

G1



MAX.010CUTOFF FLASH ALLOWABLE  
0.25



- NOTES:
1. BARE EDGES PERMISSIBLE AT CARRIER CUT OFF.
  2. MATERIAL: BRASS C26000 (.032/0.81) THICK
  3. TAB CONFORMS TO NEMA SPECIFICATIONS.
  4. ALL DIMENSIONS AND NOTES REFERENCE UNLESS OTHERWISE NOTED.
  5. PLATING: MATTE TIN, 150µIN/3.81µmm MINIMUM THICKNESS OVER NICKEL 50µIN/1.25µmm MINIMUM THICKNESS.
  6. REF.: 7,000 MINIMUM PARTS PER REEL, REEL HAS 24" DIAMETER REEL WITH A 1.25" DIAMETER CENTER HOLE.

SYMBOLS		THIS DRAWING CONTAINS INFORMATION THAT IS PROPRIETARY TO MOLEX ELECTRONIC TECHNOLOGIES, LLC AND SHOULD NOT BE USED WITHOUT WRITTEN PERMISSION		CURRENT REV/DESC: ADD P/N 197134001	
DIMENSION UNITS	SCALE				
IN/MM	4:1				
GENERAL TOLERANCES (UNLESS SPECIFIED)		EC NO: 604352			
4 PLACES ±	MM INCH	DRWN: DMYRICK		2018/09/11	
3 PLACES ±		CHK'D: JMACNEIL		2018/09/14	
2 PLACES ±	0.13 0.01	APPR: JMACNEIL		2018/09/14	
1 PLACE ±	0.25	INITIAL REVISION:			
0 PLACES ±		DRWN: EDB		1996/11/08	
ANGULAR TOL ±	0.5°	APPR: RWD		1996/11/08	
DRAFT WHERE APPLICABLE MUST REMAIN WITHIN DIMENSIONS		THIRD ANGLE PROJECTION	DRAWING	SERIES	MATERIAL NUMBER
			C-SIZE	19713	SEE CHART
		CUSTOMER		DOC TYPE	DOC PART
		GENERAL MARKET		PSD	001
		SHEET NUMBER		REVISION	
		1 OF 1		G1	