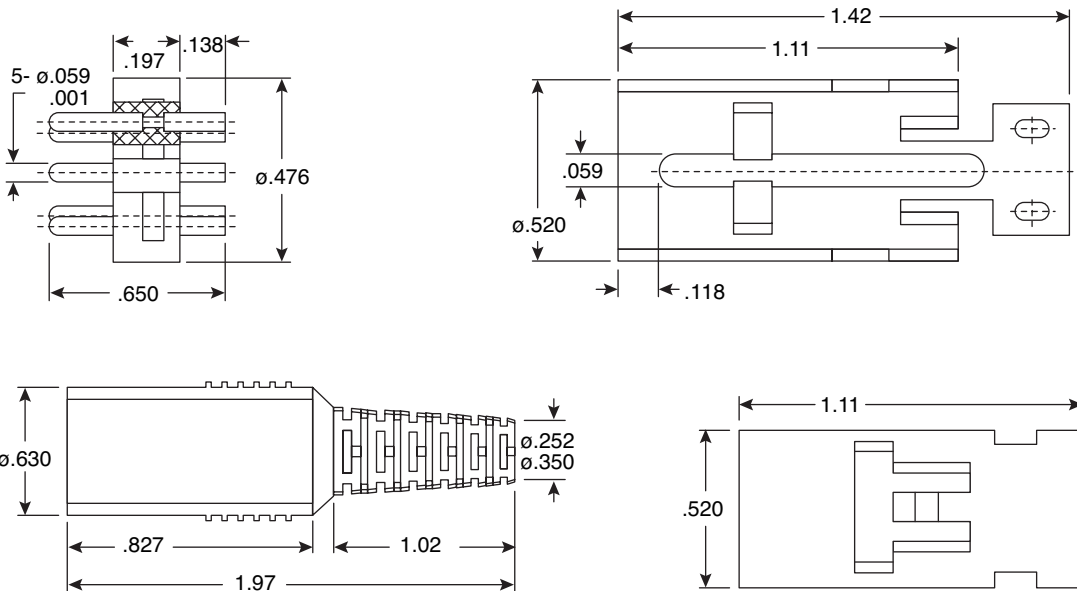
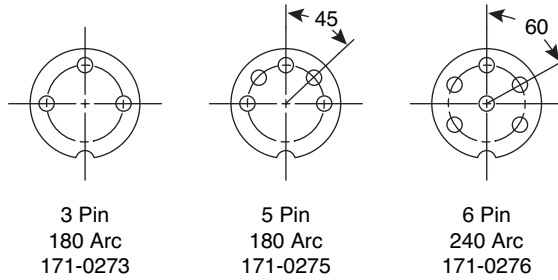
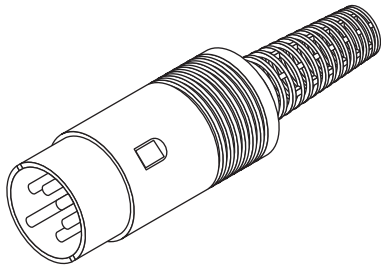


Plugs

171-0273, 171-0275, 171-0276



Plugs



Dimensions: In.

SPECIFICATIONS	
Type:	DIN w/ strain relief
Color:	black
Body Material:	ABS 5. PVC
Pins:	Silver Plated Copper
Rating:	1A
Wire Gauge:	24AWG Recommended

Date Last Revised: 6/21/12

Available from Mouser Electronics
 1-800-346-6873
 www.mouser.com

KC-300101

171-0273, 171-0275, 171-0276

Mouser Electronics

Authorized Distributor

Click to View Pricing, Inventory, Delivery & Lifecycle Information:

[Kobiconn:](#)

[171-0273](#) [171-0275](#) [171-0276](#)