



FCIconnect.com

Copyright FCI.

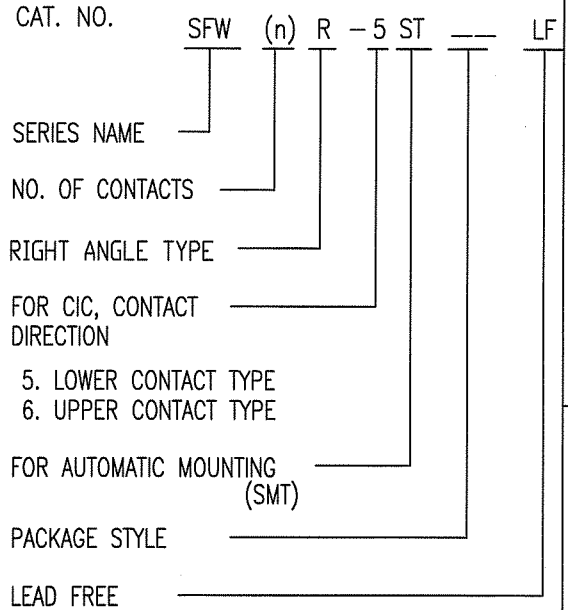
List of "SFW__R-5/6STE1LF" customer document

DOCUMENT NO.	LIST
SC-SFW12	SPEC.
JSA95866	CAT.NO.TABLE FOR 1mm SPACING SMT CONNECTOR (SFW__R-5/6ST__LF)
JSA95867	1mm SPACING SMT CONNECTOR (SFW__R-5ST__LF)
JSA95868	1mm SPACING SMT CONNECTOR (SFW__R-6ST__LF)
JSA95869	CAT.NO.TABLE FOR PLASTIC TAPE PACKAGED 1mm SPACING SMT CONNECTOR (SFW__R-5/6STE1LF)
JSA95870	PLASTIC TAPE PACKAGED 1mm SPACING SMT CONNECTOR (SFW__R-5STE1LF)
JSA95871	PLASTIC TAPE PACKAGED 1mm SPACING SMT CONNECTOR (SFW__R-6STE1LF)
JSA91675	RECOMMENDED CABLE (CIC) (SFW__R-5/6ST__)

mat'l. code -				surface 58 / ISO 1302 <input checked="" type="checkbox"/>	tolerance ISO 406 / ISO 1101	projection	product family 58RF	CODE JP	
ltr	ecn no	dr	date	tolerances unless otherwise specified			title		
A	J05-0055	H.T	'05/2/4	angles	linear		1mm SPACING CIC CONNECTOR DOCUMENT LIST		
B	J06-0398	H.T	'9/26/06				(Cat. No. : SFW__R-5/6STE1LF)		
C	J09-0363	M.Y	2009-10-8			scale \times	dwg no sheet 1 of 1 size		
				dr	<i>H. Yamashita</i>	2009-10-8		JSA 96339	A4
				enr	<i>H. Yamashita</i>	2009-10-8		type Product Customer Drawing	
				chr	<i>S. Nishida</i>	2009-10-8			
				appd	<i>S. Oudani</i>	2009-10-8			
sheet index	revision sheet	C	1						Rev. C

CAT. NO. & DIMENSIONS

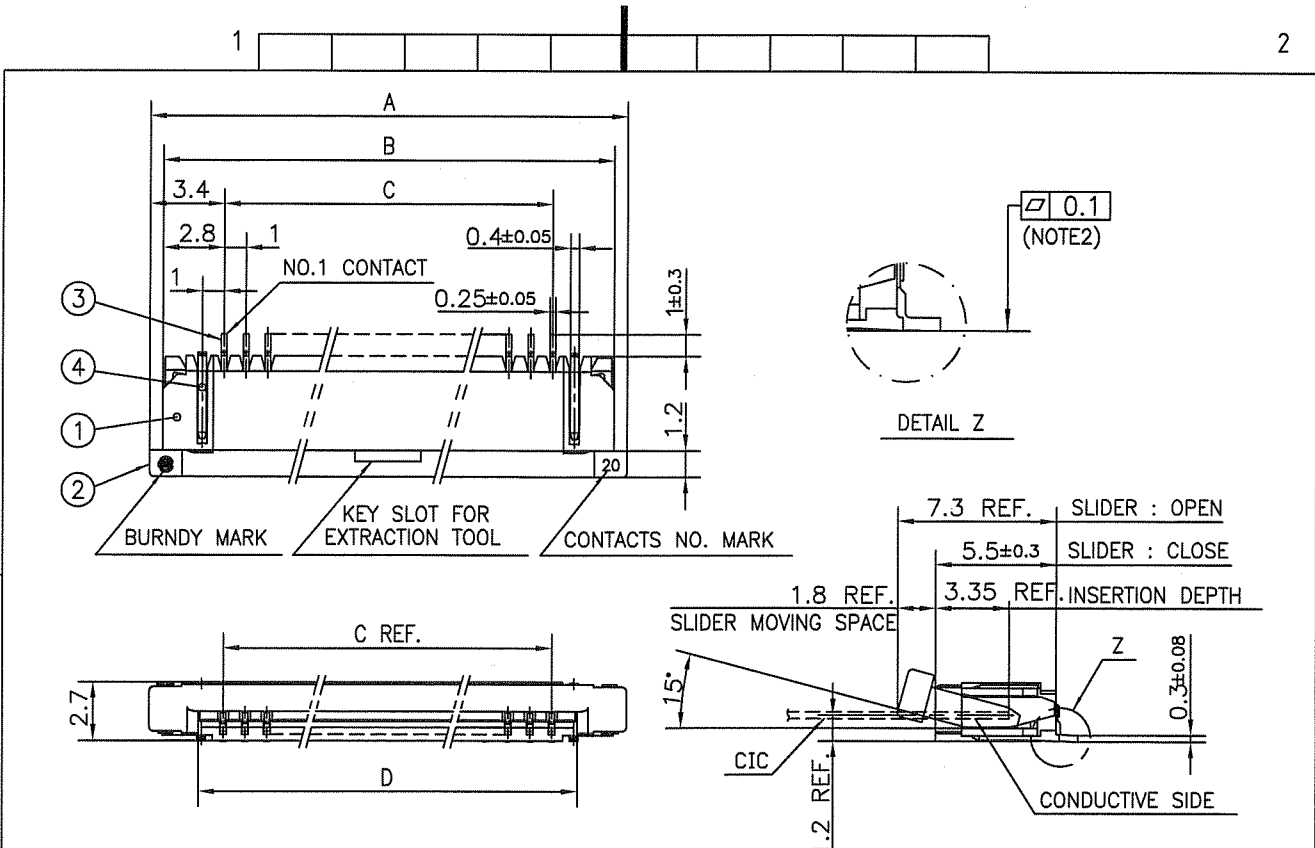
NO. OF CONTACTS (n)	CAT. NO.	DIMENSIONS (NOTE2)			
		A ± 0.2	B ± 0.2	C ± 0.2	D ± 0.1
4	SFW4R-5/6ST__LF	9.8	8.6	3.0	5.3
5	SFW5R-5/6ST__LF	10.8	9.6	4.0	6.3
6	SFW6R-5/6ST__LF	11.8	10.6	5.0	7.3
7	SFW7R-5/6ST__LF	12.8	11.6	6.0	8.3
8	SFW8R-5/6ST__LF	13.8	12.6	7.0	9.3
9	SFW9R-5/6ST__LF	14.8	13.6	8.0	10.3
10	SFW10R-5/6ST__LF	15.8	14.6	9.0	11.3
11	SFW11R-5/6ST__LF	16.8	15.6	10.0	12.3
12	SFW12R-5/6ST__LF	17.8	16.6	11.0	13.3
13	SFW13R-5/6ST__LF	18.8	17.6	12.0	14.3
14	SFW14R-5/6ST__LF	19.8	18.6	13.0	15.3
15	SFW15R-5/6ST__LF	20.8	19.6	14.0	16.3
16	SFW16R-5/6ST__LF	21.8	20.6	15.0	17.3
17	SFW17R-5/6ST__LF	22.8	21.6	16.0	18.3
18	SFW18R-5/6ST__LF	23.8	22.6	17.0	19.3
19	SFW19R-5/6ST__LF	24.8	23.6	18.0	20.3
20	SFW20R-5/6ST__LF	25.8	24.6	19.0	21.3
21	SFW21R-5/6ST__LF	26.8	25.6	20.0	22.3
22	SFW22R-5/6ST__LF	27.8	26.6	21.0	23.3
23	SFW23R-5/6ST__LF	28.8	27.6	22.0	24.3
24	SFW24R-5/6ST__LF	29.8	28.6	23.0	25.3
25	SFW25R-5/6ST__LF	30.8	29.6	24.0	26.3
26	SFW26R-5/6ST__LF	31.8	30.6	25.0	27.3
27	SFW27R-5/6ST__LF	32.8	31.6	26.0	28.3
28	SFW28R-5/6ST__LF	33.8	32.6	27.0	29.3
29	SFW29R-5/6ST__LF	34.8	33.6	28.0	30.3
30	SFW30R-5/6ST__LF	35.8	34.6	29.0	31.3



NOTES

1. THIS PRODUCT IS THE CONNECTOR USED FOR CIC AND COPES WITH AUTOMATIC MOUNTING (SMT).
2. SEE PART DRAWINGS FOR DIMENSIONS A~D.

mat'l. code				surface 58 / ISO 1302		tolerance ISO 406 / ISO 1101		projection		product family 58RF		CODE JP	
litr ecn no dr date				tolerances unless otherwise specified				mm		title CAT. NO. TABLE FOR 1mm SPACING SMT CONNECTOR (CAT.NO. SFW__R-5/6ST__LF)			
AA J05-0055 H.T. 2/4/'05				angles linear				scale X		dwg no sheet 1 of 1 size			
AB J06-0398 H.T. 9/26/'06								FCJ		JSA 95866 A4			
AC J09-0363 M.Y. 2009-10-8				dr H. YAMAGUCHI 2008-10-8						type Product Customer Drawing			
				enrg H. YAMAGUCHI 2009-10-8						Rev. AC			
				chr S. W. H. 2009-10-8									
				appd S. O. H. 2009-10-8									
sheet index		revision sheet 1		AC									



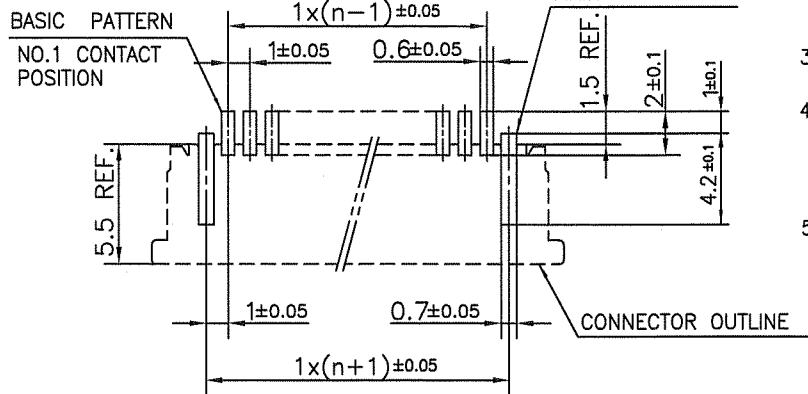
PT. NO.	PARTS NAME	MATERIAL	Q'TY	NOTE
1	HOUSING	PPS RESIN GLASS REINFORCED (UL94V-0)	1	COLOR:BROWN
2	SLIDER	PPS RESIN GLASS REINFORCED (UL94V-0)	1	COLOR:BEIGE
3	CONTACT	PHOSPHOR BRONZE	n	PLATING:TIN
4	MOUNTING PLATE		2	

n : NO. OF CONTACTS

NOTES

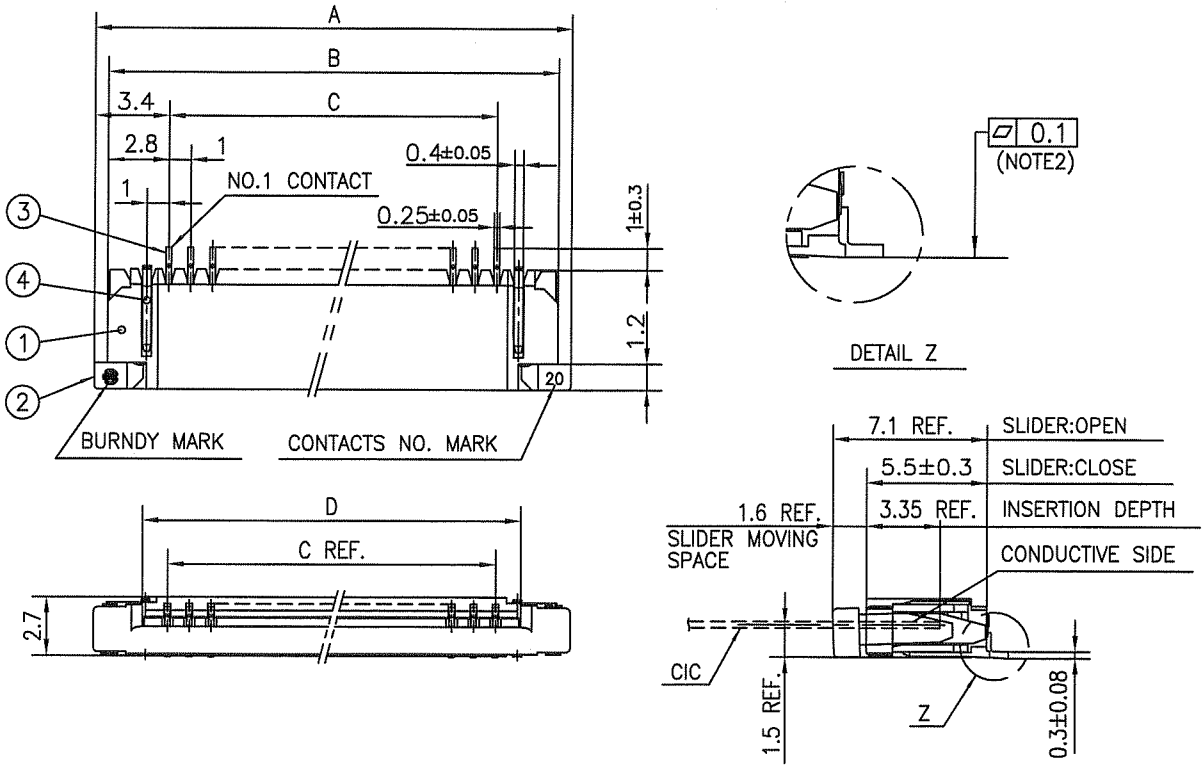
1. THIS PRODUCT IS THE CONNECTOR USED FOR CIC AND COPES WITH AUTOMATIC MOUNTING (SMT).
2. FLATNESS FOR CONTACT TERMINAL HOUSING MUST BE WITHIN TOLERANCE IN Z PORTION DETAILED DRAWING.
3. THIS PRODUCT IS LOWER CONTACT TYPE CONNECTOR.
4. THIS PRODUCT MEETS EUROPEAN UNION DIRECTIVES AND OTHER COUNTRY REGULATIONS AS DESCRIBED IN GS-22-008
5. THE HOUSING WILL WITHSTAND EXPOSURE TO 260°C PEAK TEMPERATURE FOR 10 SECONDS IN A REFLOW SOLDERING OVEN.

RECOMMENDED PC BOARD LAYOUT (COMPONENT SIDE)



mat'l. code		surface 58 / tolerance ISO 1302 / ISO 406 / ISO 1101		projection		product family 58RF		CODE JP	
ltr	ecn no	dr	date	tolerances unless otherwise specified		title		1mm SPACING SMT CONNECTOR (Cat. No. SFW__R-5ST__LF)	
AA	J04-0180	H.T	7/2/'04	angles linear ±0.2		mm			
AB	J05-0055	H.T	2/4/'05			scale X			
AC	J05-0736	H.T	10/28/'05						
AD	J06-0398	H.T	9/26/'06	dr	M. YAMASHITA	2009-10-8	dwg no		sheet 1 of 1
AE	J09-0363	M.Y	2009-10-8	enr	M. YAMASHITA	2009-10-8	JSA 95867		A4
				chr	S. WILKINSON	2009-10-8	type		Product Customer Drawing
				appd	S. OGDEN	2009-10-8			
sheet index	revision	AE							Rev. AE
	sheet	1							

SC-SFW12 JSA95866 form: A4



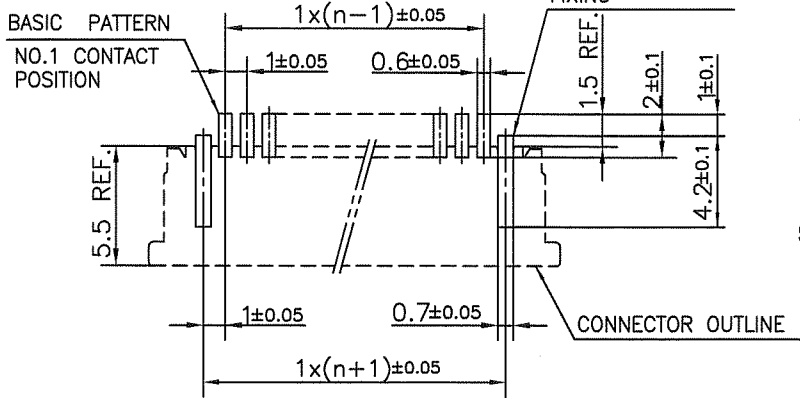
PT. NO.	PARTS NAME	MATERIAL	Q'TY	NOTE
1	HOUSING	PPS RESIN GLASS REINFORCED (UL94V-0)	1	COLOR:BROWN
2	SLIDER		1	COLOR:BEIGE
3	CONTACT	PHOSPHOR BRONZE	n	PLATING:TIN
4	MOUNTING PLATE		2	

n : NO. OF CONTACTS

NOTES

1. THIS PRODUCT IS THE CONNECTOR USED FOR CIC AND COPEs WITH AUTOMATIC MOUNTING (SMT).
2. FLATNESS FOR CONTACT TERMINAL HOUSING MUST BE WITHIN TOLERANCE IN Z PORTION DETAILED DRAWING.
3. THIS PRODUCT IS UPPER CONTACT TYPE CONNECTOR.
4. THIS PRODUCT MEETS EUROPEAN UNION DIRECTIVES AND OTHER COUNTRY REGULATIONS AS DISCRIBED IN GS-22-008
5. THE HOUSING WILL WITHSTAND EXPOSURE TO 260°C PEAK TEMPERATURE FOR 10 SECONDS IN A REFLOW SOLDERING OVEN.

RECOMMENDED PC BOARD LAYOUT (COMPONENT SIDE)



mat'l. code		surface 58 / tolerance ISO 1302 / ISO 406 / ISO 1101		projection		product family 58RF		CODE JP	
ltr		ecn no		dr		date		tolerances unless otherwise specified	
AA		J04-0180		H.T		7/2/'04		±0.2	
AB		J05-0055		H.T		2/4/'05		angles linear	
AC		J05-0736		H.T		10/28/'05		mm	
AD		J06-0398		H.T		9/26/'06		scale X	
AE		J09-0363		M.Y		2009-10-8		dr	
								engr	
								chr	
								appd	
sheet index		revision sheet		AE		1		dwg no	
								sheet 1 of 1	
								size	
								A4	
								type	
								Product Customer Drawing	
								Rev. AE	

SC-SFW12 JSA95866 form: A4



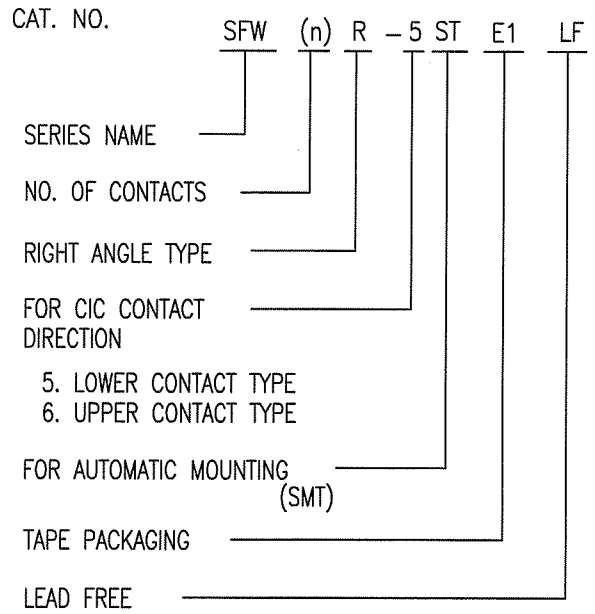
FCIconnect.com

Copyright FCI.



CAT. NO. & DIMENSIONS

NO. OF CONTACTS (n)	CAT. NO. (NOTE2)	DIMENSIONS (NOTE3)		
		E ± 5	F ± 0.3	G ± 0.1
4	SFW4R-5/6STE1LF	20.4	16	—
5	SFW5R-5/6STE1LF	28.4	24	—
6	SFW6R-5/6STE1LF	28.4	24	—
7	SFW7R-5/6STE1LF	28.4	24	—
8	SFW8R-5/6STE1LF	28.4	24	—
9	SFW9R-5/6STE1LF	28.4	24	—
10	SFW10R-5/6STE1LF	28.4	24	—
11	SFW11R-5/6STE1LF	28.4	24	—
12	SFW12R-5/6STE1LF	28.4	24	—
13	SFW13R-5/6STE1LF	36.4	32	28.4
14	SFW14R-5/6STE1LF	36.4	32	28.4
15	SFW15R-5/6STE1LF	36.4	32	28.4
16	SFW16R-5/6STE1LF	36.4	32	28.4
17	SFW17R-5/6STE1LF	48.4	44	40.4
18	SFW18R-5/6STE1LF	48.4	44	40.4
19	SFW19R-5/6STE1LF	48.4	44	40.4
20	SFW20R-5/6STE1LF	48.4	44	40.4
21	SFW21R-5/6STE1LF	48.4	44	40.4
22	SFW22R-5/6STE1LF	48.4	44	40.4
23	SFW23R-5/6STE1LF	48.4	44	40.4
24	SFW24R-5/6STE1LF	48.4	44	40.4
25	SFW25R-5/6STE1LF	48.4	44	40.4
26	SFW26R-5/6STE1LF	48.4	44	40.4
27	SFW27R-5/6STE1LF	48.4	44	40.4
28	SFW28R-5/6STE1LF	60.4	56	52.4
29	SFW29R-5/6STE1LF	60.4	56	52.4
30	SFW30R-5/6STE1LF	60.4	56	52.4

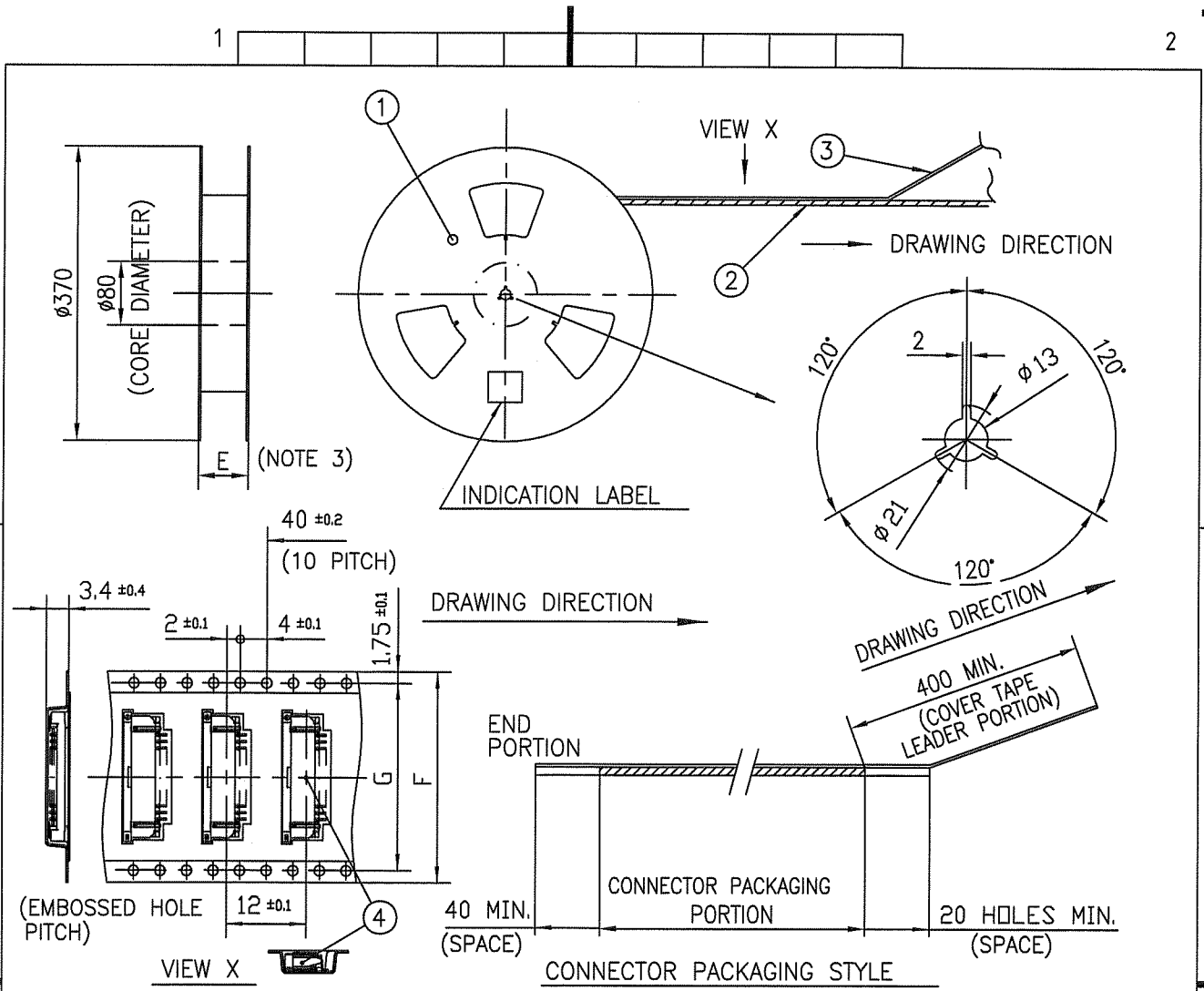


NOTES

1. THIS PRODUCT IS THE CONNECTOR USED FOR CIC AND COPES WITH AUTOMATIC MOUNTING (SMT).
2. THIS CATALOG NO. INDICATES PLASTIC TAPE PACKAGED CONNECTOR.
3. SEE PART DRAWINGS FOR DIMENSIONS E~G.

mat'l. code		surface 58 / ISO 1302 ✓		tolerance ISO 406 / ISO 1101		projection		product family 58RF		CODE JP	
ltr ecn no dr date		tolerances unless otherwise specified		angles linear		mm		title			
AA	J05-0055	H.T.	2/4/05					CAT. NO. TABLE FOR PLASTIC TAPE PACKAGED 1mm SPACING SMT CONNECTOR (CAT.NO. SFW__R-5/6STE1LF)			
AB	J06-0398	H.T.	9/26/06					dwg no sheet 1 of 1 size			
AC	J09-0383	M.Y.	2009-10-8			scale X		JSA 95869 A4			
sheet index		revision sheet		AC				type Product Customer Drawing			
		1						Rev. AC			

SC-SFW12 JSA95866 95870 95871 form: A4



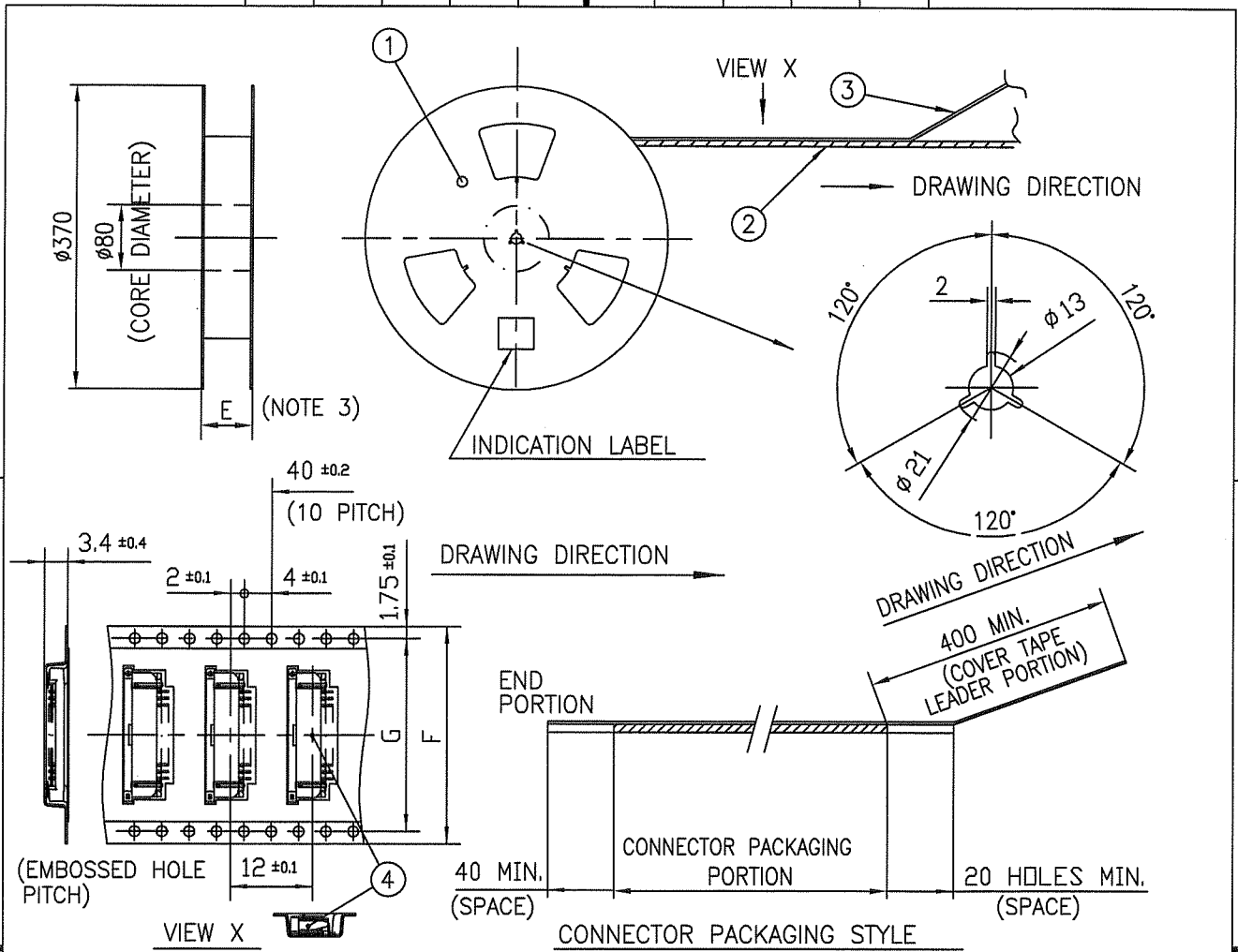
PT. NO.	PARTS NAME	CAT. NO.	MATERIAL	Q'TY	NOTE
1	REEL	_____	CARDBOARD	1	COLOR:WHITE
2	PLASTIC (EMBOSS) TAPE	_____	PET	—	COLOR:TRANSPARENCY
3	COVER	_____	POLYESTER	—	COLOR:TRANSPARENCY
4	CONNECTOR	SFW__R-5ST__LF	SEE ATTACHED DWG	2000	LOWER CONTACT TYPE

NOTES

- THIS IS PLASTIC TAPE PACKAGED CONNECTOR USED FOR CIC AND COPES WITH AUTOMATIC MOUNTING (SMT).
- SEE JIS C 0806 (PACKING OF ELECTRONIC COMPONENTS ON CONTINUOUS TAPES (SURFACE MOUNTING DEVICES)) FOR SHAPE AND DIMENSIONS OF PLASTIC (EMBOSS) TAPE AND REEL.
- E DIMENSION IS PORTION OF THE CORE.

mat'l. code		surface ISO 1302 ✓		tolerance ISO 406 ISO 1101		projection		product family 58RF		CODE JP	
ltr	ecn no	dr	date	tolerances unless otherwise specified		mm		title			
AA	J05-0055	H.T.	2/4/05	angles	linear	mm		PLASTIC TAPE PACKAGED 1mm SPACING SMT CONNECTOR (CAT. NO. SFW__R-5STE1LF)			
AB	J06-0398	H.T.	9/26/06	±5'		scale X		dwg no sheet 1 of 1 size			
AC	J09-0363	M.Y.	2009-10-8			FCJ		JSA 95870 A4			
sheet index		revision sheet		AC 1				type Product Customer Drawing			

SC-SFW12 JSA95869 Form: A4



PT. NO.	PARTS NAME	CAT. NO.	MATERIAL	Q'TY	NOTE
1	REEL	_____	CARDBOARD	1	COLOR:WHITE
2	PLASTIC (EMBOSS) TAPE	_____	PET	_____	COLOR:TRANSPARENCY
3	COVER	_____	POLYESTER	_____	COLOR:TRANSPARENCY
4	CONNECTOR	SFW__R-6ST__LF	SEE ATTACHED DWG	2000	UPPER CONTACT TYPE

NOTES

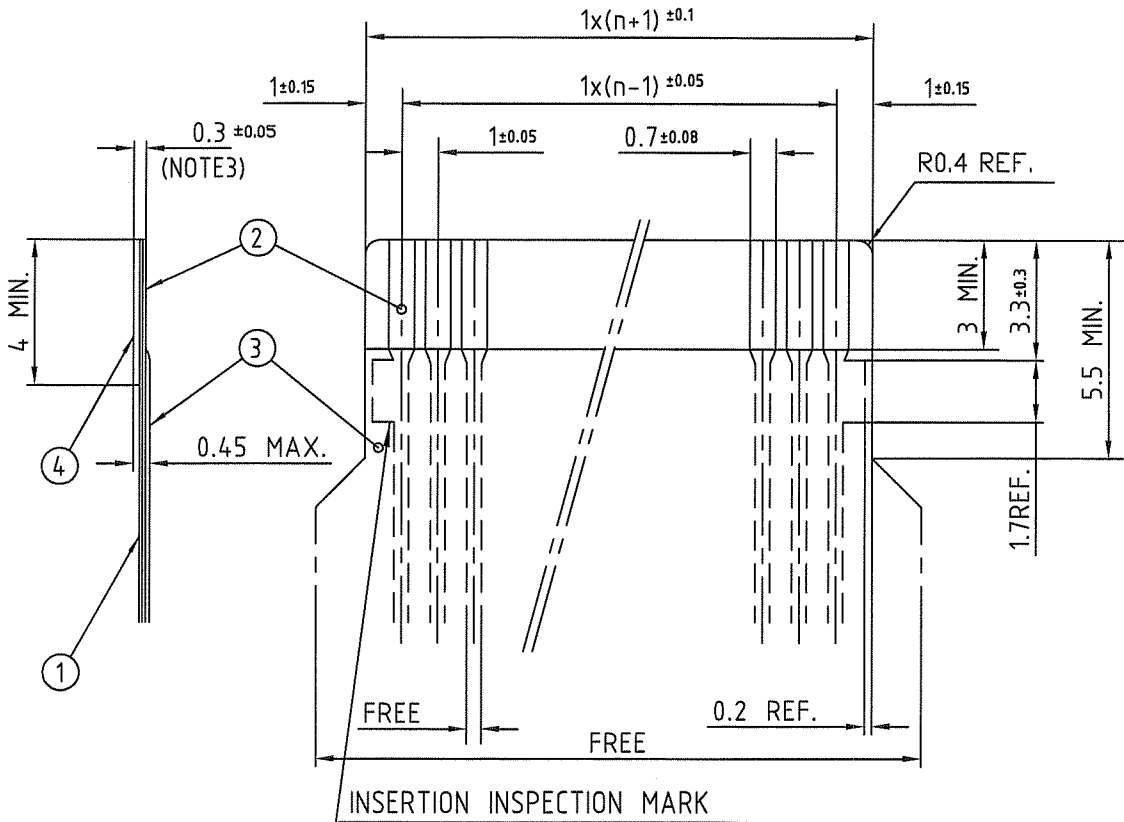
- THIS IS PLASTIC TAPE PACKAGED CONNECTOR USED FOR CIC AND COPES WITH AUTOMATIC MOUNTING (SMT).
- SEE JIS C 0806 (PACKING OF ELECTRONIC COMPONENTS ON CONTINUOUS TAPES (SURFACE MOUNTING DEVICES)) FOR SHAPE AND DIMENSIONS OF PLASTIC (EMBOSS) TAPE AND REEL.
- E DIMENSION IS PORTION OF THE CORE.

mat'l. code			surface ISO 1302 <input checked="" type="checkbox"/>		tolerance ISO 406 ISO 1101		projection		product family 58RF		CODE JP	
ltr	ecn no	dr	date	tolerances unless otherwise specified		mm		title				
AA	J05-0055	H.T.	2/4/05	angles linear	±5		PLASTIC TAPE PACKAGED 1mm SPACING SMT CONNECTOR (CAT.NO. SFW__R-6STE1LF)					
AB	J06-0398	H.T.	9/26/06		±5		dwg no sheet 1 of 1 size					
AC	J09-0363	M.Y.	2009-10-8		±5'		JSA 95871 A4					
sheet index		revision	AC	dr	M. YAMASAKI	2009-10-8	FCJ		type Product Customer Drawing			
sheet		1	enrg	M. YAMASAKI	2009-10-8	Rev. AC						
sheet		1	chr	S. Kishida	2009-10-8							
sheet		1	appd	S. Chudani	2009-10-8							

SC-SFW12 JSA95869 form: A4

RECOMMENDED CABLE (CIC)

n:NO. OF CONDUCTOR



PT. NO.	PARTS NAME	MATERIAL	THICKNESS (um)	
1	BASE FILM	POLYESTER OR EQUAL	75	25
2	CONDUCTOR	CARBON PASTE OVER SILVER PASTE	10 MIN.	
3	OVERLAY	POLYIMIDE OR POLYESTER OR EQUAL	—	
4	SUPPORTING TAPE	POLYESTER OR POLYIMIDE OR EQUAL	188	250

- NOTES
1. NO BURR AT EACH PORTION.
 2. NO PEELING IN COMMON USE.
 3. TOTAL THICKNESS LIMIT OF EACH MATERIAL (INCLUDING ADHESIVE AGENT) IS SPECIFIED.

mat'l. code				surface 58 / tolerance ISO 1302 / ISO 406 / ISO 1101		projection		product family 58RF		CODE JP	
ltr	ecn no	dr	date	tolerances unless otherwise specified		mm		title			
1	—	—	4/12/'93	angles	linear	mm		RECOMMENDED CABLE (Cat. No. SFW_R-5/6_)			
AA	J05-0055	H.T	2/4/'05			scale X		dwg no sheet 1 of 1 size			
AB	J06-0398	H.T	9/26/'06			FCJ		JSA 91675 A4			
AC	J09-0363	M.Y	2009-10-8	dr	M.YAMASHITA	2009-10-8	type Product Customer Drawing				
				enr	M.YAMASHITA	2009-10-8					
				chr	S. Nishida	2009-10-8					
				appd	S. de la...	2009-10-8					
sheet index	revision sheet	AC	1								Rev. AC

Mouser Electronics

Authorized Distributor

Click to View Pricing, Inventory, Delivery & Lifecycle Information:

[FCI / Amphenol:](#)

[SFW10R-5STE1LF](#) [SFW10R-6STE1LF](#) [SFW11R-5STE1LF](#) [SFW11R-6STE1LF](#) [SFW14R-5STE1LF](#) [SFW14R-6STE1LF](#) [SFW15R-5STE1LF](#) [SFW16R-5STE1LF](#) [SFW16R-6STE1LF](#) [SFW18R-6STE1LF](#) [SFW20R-5STE1LF](#) [SFW21R-6STE1LF](#) [SFW22R-5STE1LF](#) [SFW25R-5STE1LF](#) [SFW27R-5STE1LF](#) [SFW28R-6STE1LF](#) [SFW4R-5STE1LF](#) [SFW6R-6STE1LF](#) [SFW7R-6STE1LF](#) [SFW8R-5STE1LF](#) [SFW8R-6STE1LF](#) [SFW9R-6STE1LF](#) [SFW12R-5STE1LF](#) [SFW12R-6STE1LF](#) [SFW13R-5STE1LF](#) [SFW13R-6STE1LF](#) [SFW15R-6STE1LF](#) [SFW17R-5STE1LF](#) [SFW17R-6STE1LF](#) [SFW18R-5STE1LF](#) [SFW19R-5STE1LF](#) [SFW19R-6STE1LF](#) [SFW20R-6STE1LF](#) [SFW21R-5STE1LF](#) [SFW22R-6STE1LF](#) [SFW23R-5STE1LF](#) [SFW23R-6STE1LF](#) [SFW24R-5STE1LF](#) [SFW24R-6STE1LF](#) [SFW25R-6STE1LF](#) [SFW26R-5STE1LF](#) [SFW26R-6STE1LF](#) [SFW27R-6STE1LF](#) [SFW28R-5STE1LF](#) [SFW29R-5STE1LF](#) [SFW29R-6STE1LF](#) [SFW30R-5STE1LF](#) [SFW30R-6STE1LF](#) [SFW4R-6STE1LF](#) [SFW5R-5STE1LF](#) [SFW5R-6STE1LF](#) [SFW6R-5STE1LF](#) [SFW7R-5STE1LF](#) [SFW9R-5STE1LF](#)