

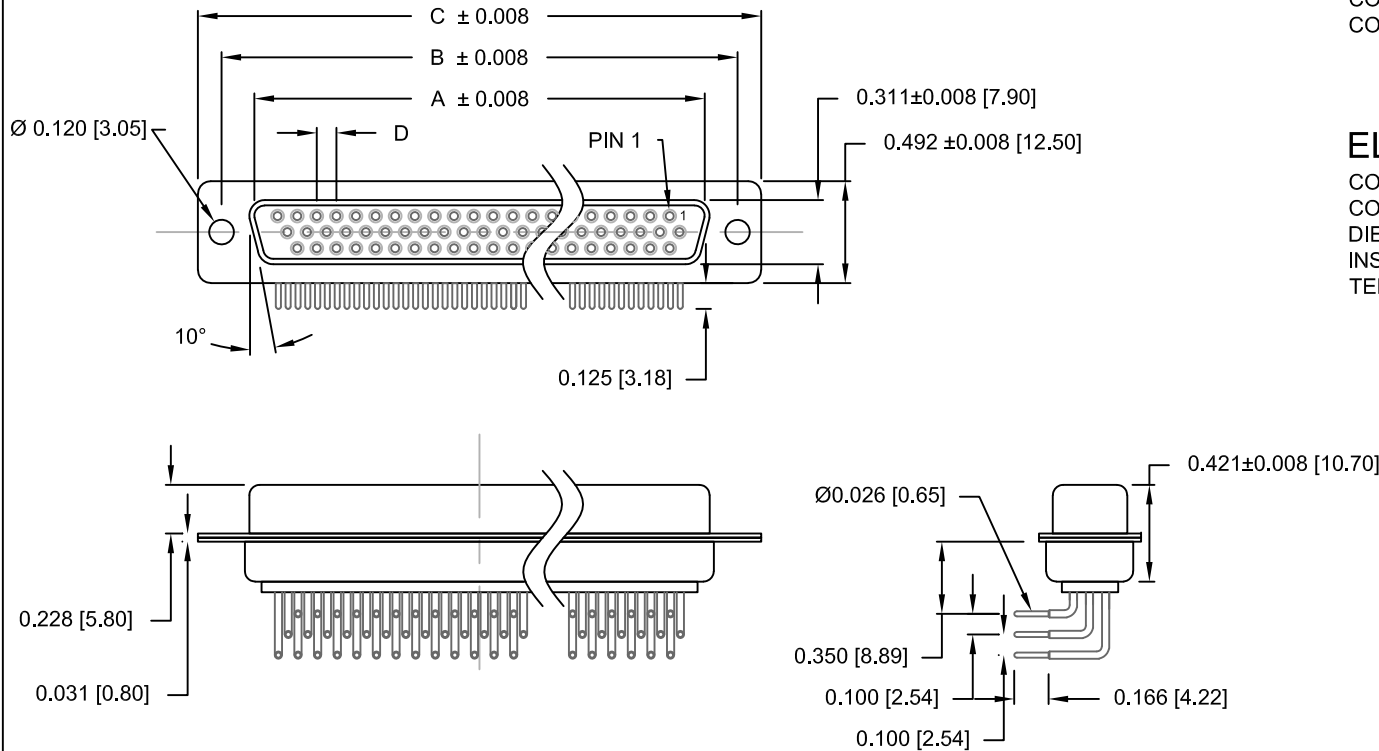
DESCRIPTION: HIGH DENSITY - MACHINED CONTACTS - RIGHT ANGLE

MATERIALS AND FINISH:

SHELL: STEEL MATERIAL, NICKEL FINISH
 INSULATOR: (SEE CHART) =260°C,
 UL 94V-0 RATED, BLACK
 CONTACT MATERIAL: BRASS
 CONTACT FINISH: SELECTIVE GOLD FINISHED

ELECTRICAL:

CONTACT CURRENT RATING: 5 AMPS
 CONTACT RESISTANCE: 10 mOHMS Max.
 DIELECTRIC WITHSTANDING VOLTAGE: 1,000VAC Min.
 INSULATION RESISTANCE: 5 GOHMS Min.
 TEMPERATURE RATING: -55° ~ +125° C



181-MYY-2YYRYYY

SERIES _____
 MACHINED CONTACTS _____
 POSITIONS _____
 15 _____
 26 _____
 44 _____
 62 _____
 GENDER _____
 2 = FEMALE _____
 TERMINATION _____
 1 = RIGHT ANGLE _____
 SHELL PLATING _____
 2 = TIN _____
 3 = NICKEL _____
 RoHS COMPLIANT _____
 HARDWARE OPTIONS _____
 14 = BRACKET WITH BOARD LOCK
 AND LOCATOR PLATE _____
 PLATING OPTIONS _____
 1 = GOLD FLASH, ENTIRE CONTACT _____
 2 = 30u" GOLD, ENTIRE CONTACT _____
 3 = 50u" GOLD, ENTIRE CONTACT _____

DIMENSIONS (IN.)

No. OF PINS	A	B	C	D	Insulator Material
15	0.642	0.984	1.213	0.090	PA9T
26	0.968	1.311	1.543	0.090	PA9T
44	1.512	1.852	2.089	0.090	PA9T
62	2.157	2.500	2.732	0.095	PA6T

DIMENSIONS (mm)

No. OF PINS	A	B	C	D	Insulator Material
15	16.30	25.00	30.80	2.29	PA9T
26	24.60	33.30	39.20	2.29	PA9T
44	38.40	47.05	53.05	2.29	PA9T
62	54.80	63.50	69.40	2.41	PA6T

UNITS = INCHES [mm]

DO NOT SCALE FROM DRAWING



THESE DRAWINGS AND SPECIFICATIONS ARE THE PROPERTY OF NorComp AND SHALL NOT BE REPRODUCED, COPIED OR USED AS THE BASIS FOR THE MANUFACTURE OF SALE OF APPARATUS WITHOUT WRITTEN PERMISSION.

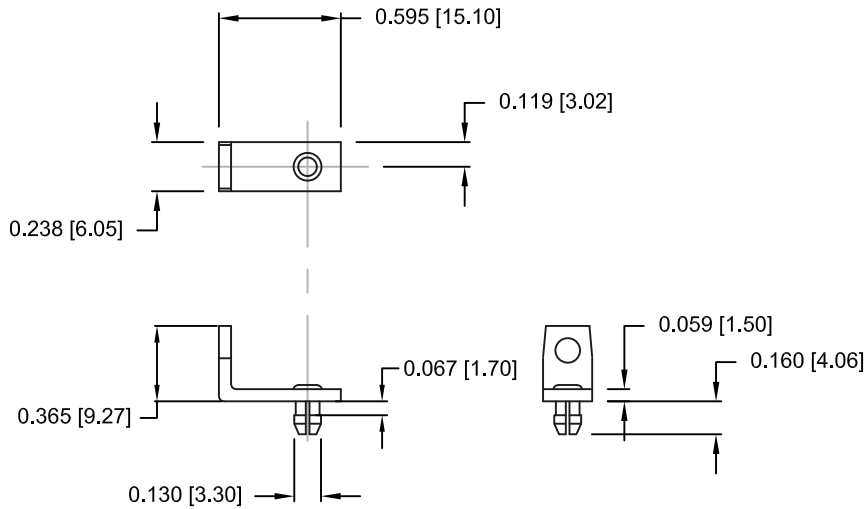
DRAWN:	C. SMITH	DATE:	03-19-07
--------	----------	-------	----------

NorComp

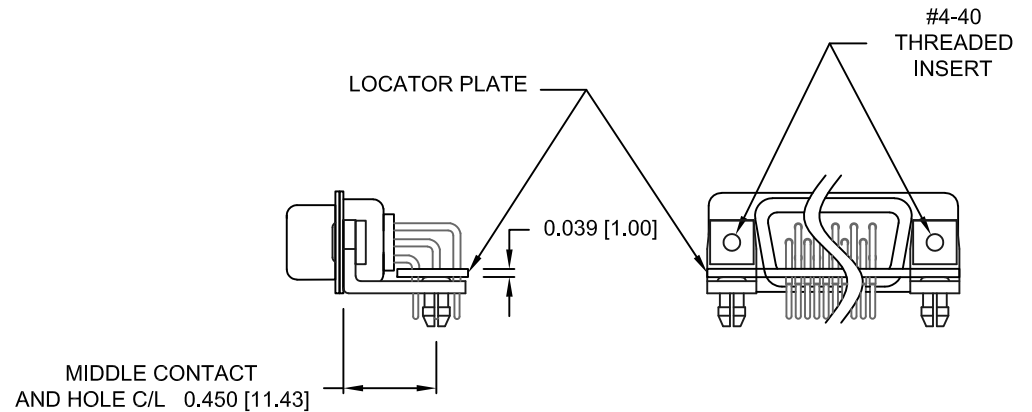
SCALE:	NTS	SHEET	OF	REV
		1	4	20
DWG NO.	181-MYY-2YYRYYY			

RoHS COMPLIANT

DESCRIPTION: HIGH DENSITY - MACHINED CONTACTS - RIGHT ANGLE



MOUNTING BRACKET
WITH BOARD LOCK



BRACKETS MOUNTED ON CONNECTOR
WITH LOCATOR PLATE

HARDWARE OPTION 14

FOR CLARITY
HIDDEN LINES
NOT SHOWN

UNITS = INCHES [mm]

DO NOT SCALE FROM DRAWING

MATERIAL: COLD ROLLED STEEL

PLATING: CLEAR ZINC



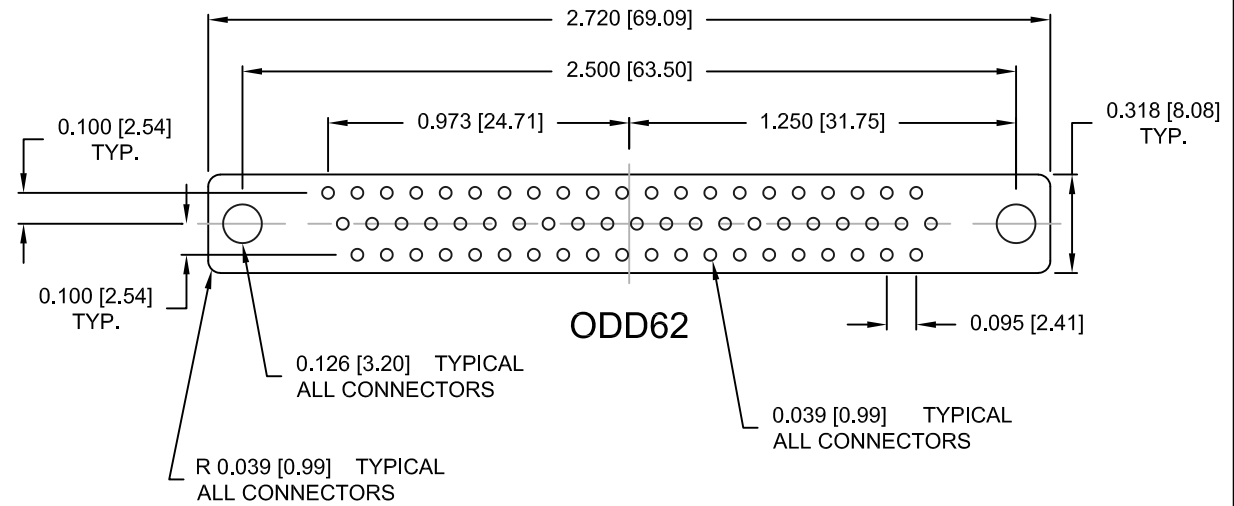
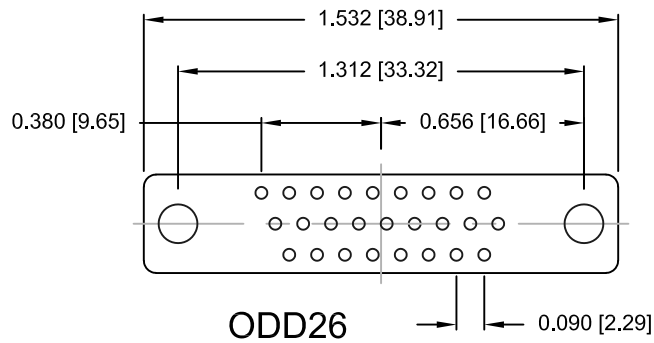
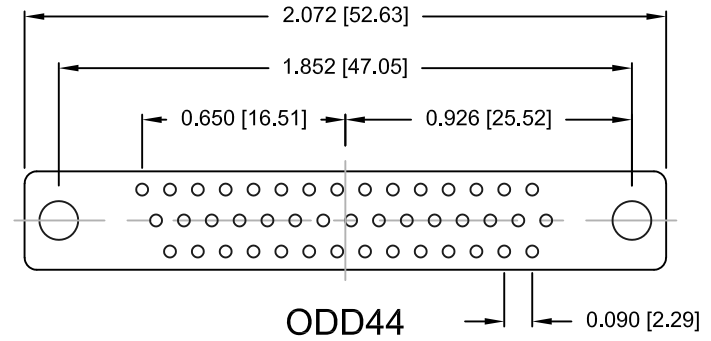
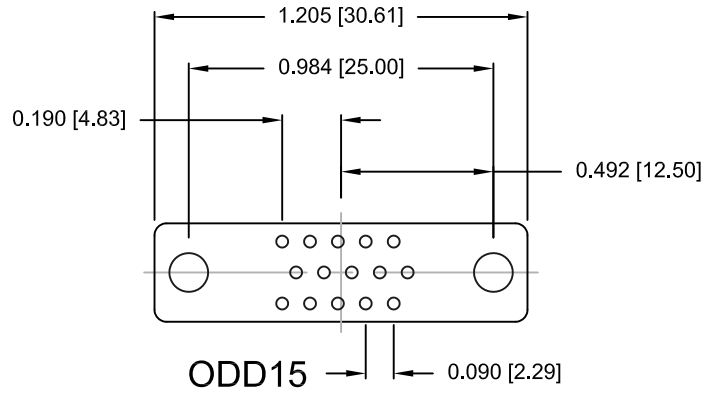
THESE DRAWINGS AND SPECIFICATIONS ARE THE PROPERTY OF NorComp AND SHALL NOT BE REPRODUCED, COPIED OR USED AS THE BASIS FOR THE MANUFACTURE OF SALE OF APPARATUS WITHOUT WRITTEN PERMISSION.

DRAWN: C. SMITH		DATE: 03-19-07	
SCALE: NTS	SHEET 2	OF 4	REV 20
DWG NO. 181-MYY-2YYRYYY			

NorComp

DESCRIPTION: HIGH DENSITY LOCATOR PLATES - 15, 26, 44, 62 & 78

MATERIAL: INSULATION PAPER
0.039" THICK



UNITS = INCHES [mm]

DO NOT SCALE FROM DRAWING



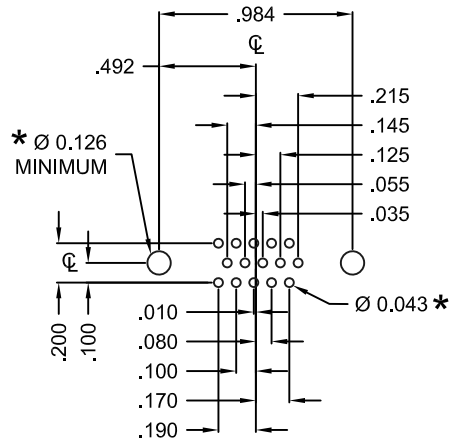
THESE DRAWINGS AND SPECIFICATIONS ARE THE PROPERTY OF NorComp AND SHALL NOT BE REPRODUCED, COPIED OR USED AS THE BASIS FOR THE MANUFACTURE OF SALE OF APPARATUS WITHOUT WRITTEN PERMISSION.

DRAWN: C. SMITH		DATE: 03-19-07	
SCALE: NTS	SHEET 3	OF 4	REV 20
DWG NO. 181-MYY-2YYRYYY			

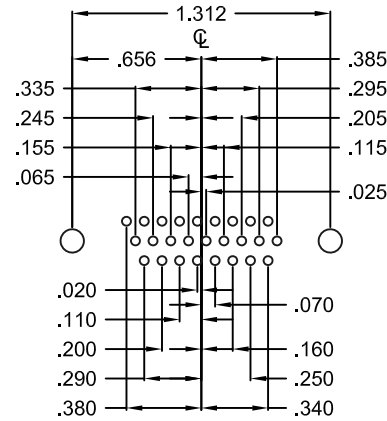
RoHS COMPLIANT

NorComp

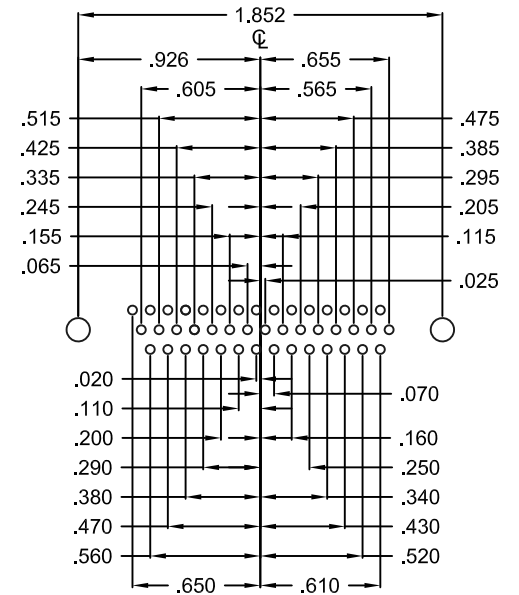
DESCRIPTION: HIGH DENSITY - MACHINED CONTACTS - RIGHT ANGLE



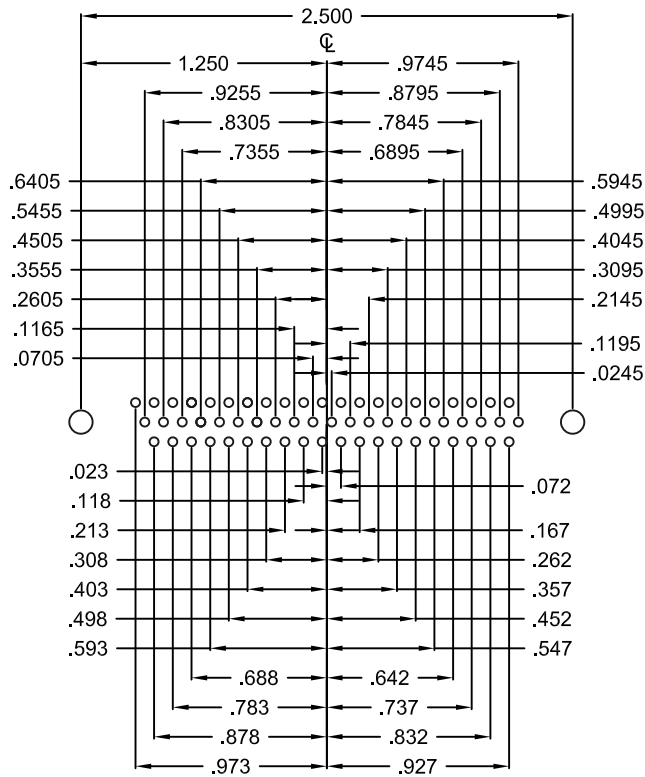
15 POSITION



26 POSITION



44 POSITION




62 POSITION

HOLE PATTERN SHOWN
ARE FOR FEMALE

UNITS = inch

* TYP.
SUGGESTED SIZE
MAY NOT BE SUITABLE FOR ALL APPLICATIONS

DO NOT SCALE FROM DRAWING

	THESE DRAWINGS AND SPECIFICATIONS ARE THE PROPERTY OF NorComp AND SHALL NOT BE REPRODUCED, COPIED OR USED AS THE BASIS FOR THE MANUFACTURE OF SALE OF APPARATUS WITHOUT WRITTEN PERMISSION.		DRAWN: C. SMITH	DATE: 03-19-07
	<h1>NorComp</h1>		SCALE: NTS	SHEET OF 4 4
DWG NO. 181-MYY-2YYRYYY				

Mouser Electronics

Authorized Distributor

Click to View Pricing, Inventory, Delivery & Lifecycle Information:

[NorComp:](#)

[181-M62-213R141](#) [181-M15-213R141](#) [181-M26-213R141](#) [181-M44-213R141](#)