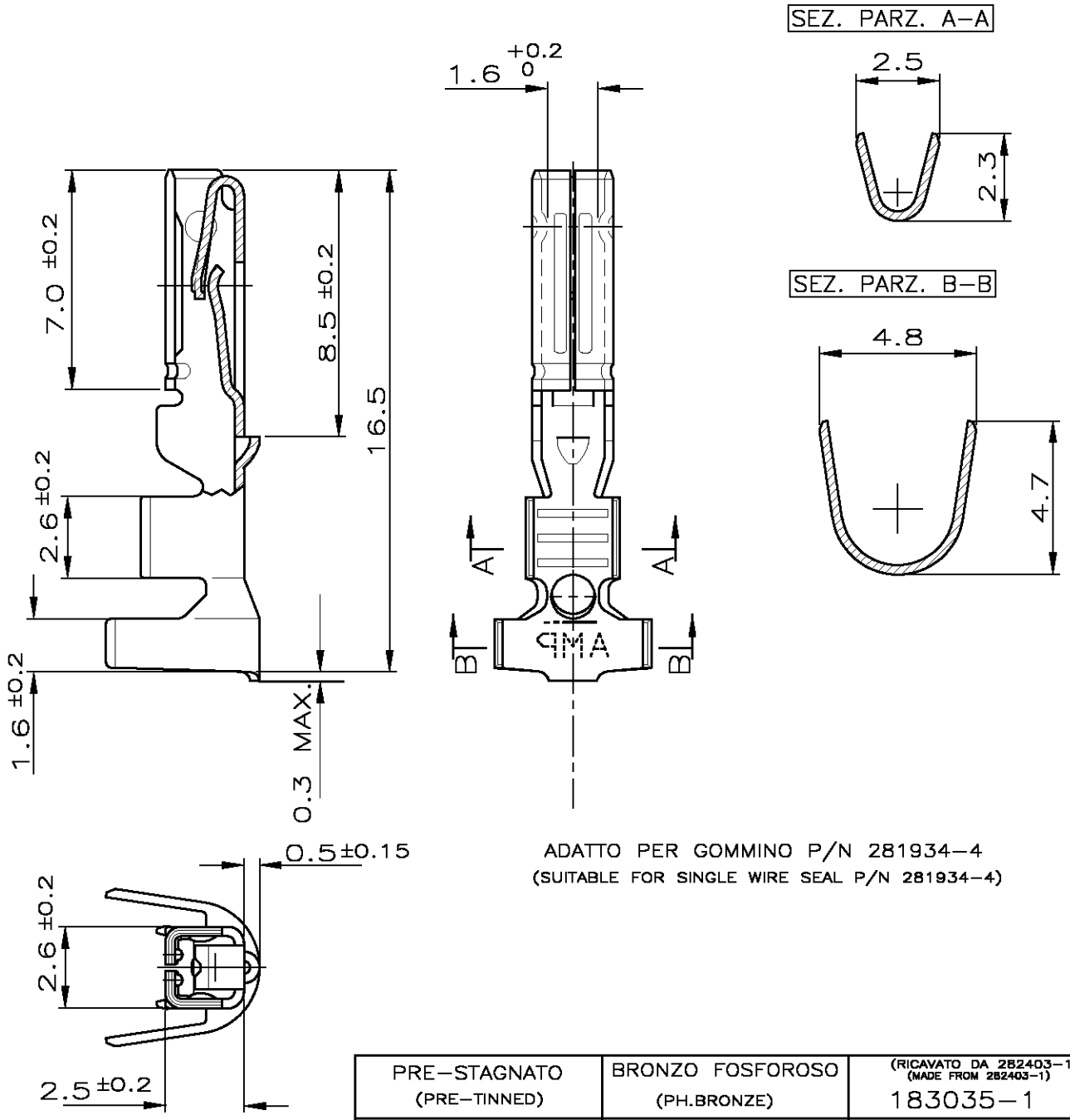


METRIC


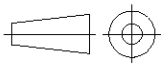
LOC	DIST	REVISIONS					
I	—	P	LTR	DESCRIPTION	DATE	DWN	APVD
		A2		REVISED PER ECR-13-003131	20MAY2013	M.G.	M.G.

THIS DRAWING IS UNPUBLISHED. ALL RIGHTS RESERVED. THIS DRAWING IS A CONTROLLED DOCUMENT.



PRE-STAGNATO (PRE-TINNED)	BRONZO FOSFOROSO (PH.BRONZE)	(RICAVATO DA 282403-1) (MADE FROM 282403-1)
FINITURA / COLORE (FINISH / COLOUR)	MATERIALE (MATERIAL)	NUMERO (PART NUMBER)
		183035-1

DIAM. ISOLANTE (INS. DIA. RANGE) VED. NOTA	RANGO FILO (WIRE RANGE) 0.35-0.5mm ²	CUSTOMER DWG. FOR REFERENCE ONLY	DISEGNO PER CLIENTE SOLO PER RIFERIMENTO
--	---	-------------------------------------	---

DIMENSIONS: mm	DWN C.PIA 17 MAY 93	MATERIAL -	FINISH -
	CHK A.BRUNI 17 MAY 93	 TE Connectivity	
TOLERANCES UNLESS OTHERWISE SPECIFIED:	APVD -		
0 PLC ± -	PRODUCT SPEC -	SIZE	
1 PLC ± 0.3	APPLICATION SPEC -	CAGE CODE	DRAWING NO
2 PLC ± -	WEIGHT -	A4 00779	C-183035
3 PLC ± -		RESTRICTED TO	
4 PLC ± -		-	
ANGLES ± 2°		SCALE	SHEET
	CUSTOMER DRAWING	5:1	1 OF 1
			REV A2

Mouser Electronics

Authorized Distributor

Click to View Pricing, Inventory, Delivery & Lifecycle Information:

[TE Connectivity:](#)

[183035-1](#)