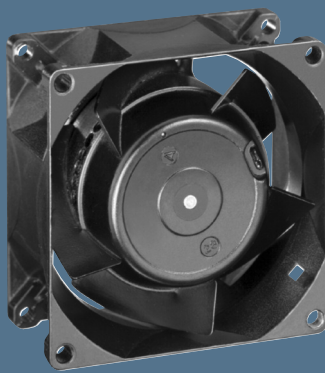


max. 57 m³/h

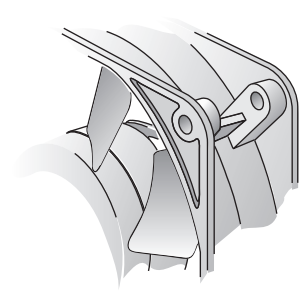
AC axial fans

Series 8000 A 80 x 80 x 38 mm

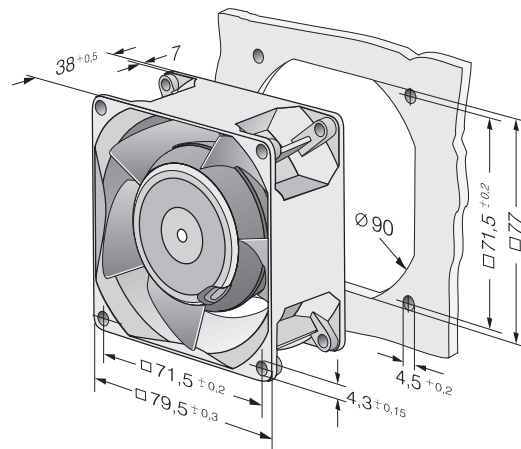
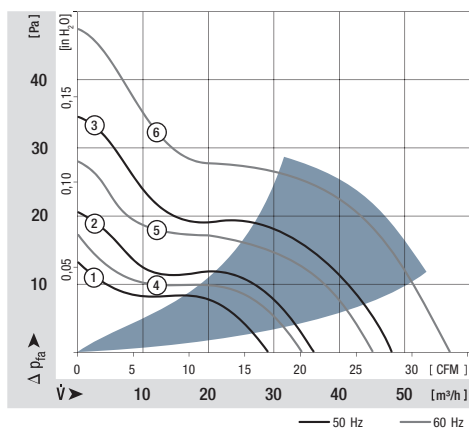


- AC fans with external rotor shaded-pole motor. Impedance protected against overloading.
- Metal fan housing and impeller.
- Air intake over struts. Direction of rotation clockwise, seen on rotor.
- Electrical connection via 2 flat plugs 2.8 x 0.5 mm.
- Fan housing with grounding lug and screw M4 x 8 (TORX).
- Mass: 490 g.
- Optionally available with electrical connection via leads.
- Optionally available with air exhaust over struts and clockwise direction of rotation.
- Please note our new ACmaxx series. With identical mounting dimensions and voltages, this series achieves higher energy efficiency.

Nominal data		Air flow	Air flow	Nominal voltage	Frequency	Sound pressure level	Sound power level	Sinter sleeve bearings Ball bearings	Power input	Nominal speed	Temperature range	Service life L ₁₀ at 40 °C	at T _{max}	Curve
Type		m ³ /h	CFM	V	Hz	dB(A)	Bel(A)	□ / ■	Watts	RPM	°C	Hours	Hours	
8880 A		29	17,1	230	50	26	4,1	□	9,0	1 750	-10...+80	60 000 / 25 000		1
8850 A		36	21,2	230	50	31	4,6	□	12,5	2 150	-10...+70	52 500 / 25 000		2
8550 A		48	28,3	230	50	36	5,0	□	12,0	2 700	-10...+70	52 500 / 25 000		3
8556 A		48	28,3	230	50	37	5,1	■	12,0	2 800	-40...+90	52 500 / 15 000		3
8830 A		34	20,0	115	60	29	4,3	□	8,0	1 950	-10...+80	62 500 / 25 000		4
8800 A		45	26,5	115	60	34	4,8	□	11,0	2 500	-10...+70	55 000 / 27 500		5
8500 A		57	33,5	115	60	41	5,5	□	11,0	3 200	-10...+75	55 000 / 25 000		6
8506 A		57	33,5	115	60	42	5,7	■	11,0	3 300	-40...+95	55 000 / 15 000		6



Series 8000 A with reinforced flanges



Mouser Electronics

Authorized Distributor

Click to View Pricing, Inventory, Delivery & Lifecycle Information:

[ebm-papst:](#)

[8500A](#) [8550A](#) [8830A](#) [8880A](#) [8556A](#) [8800A](#) [8850A](#)