

THIS DRAWING IS UNPUBLISHED.

RELEASED FOR PUBLICATION

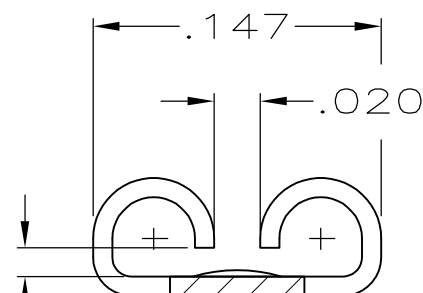
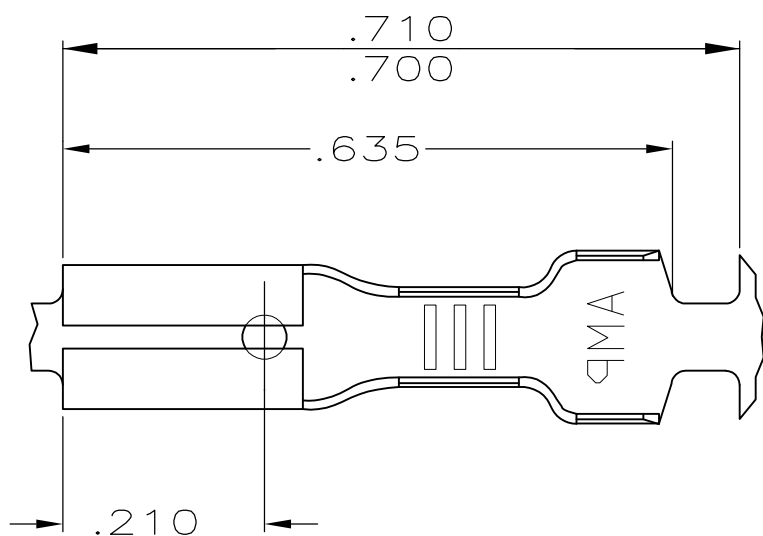
ALL RIGHTS RESERVED.

© COPYRIGHT - By -

LOC AF DIST 50

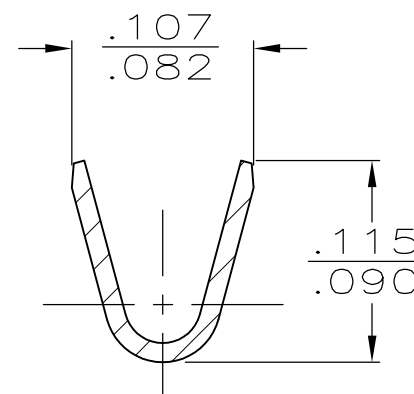
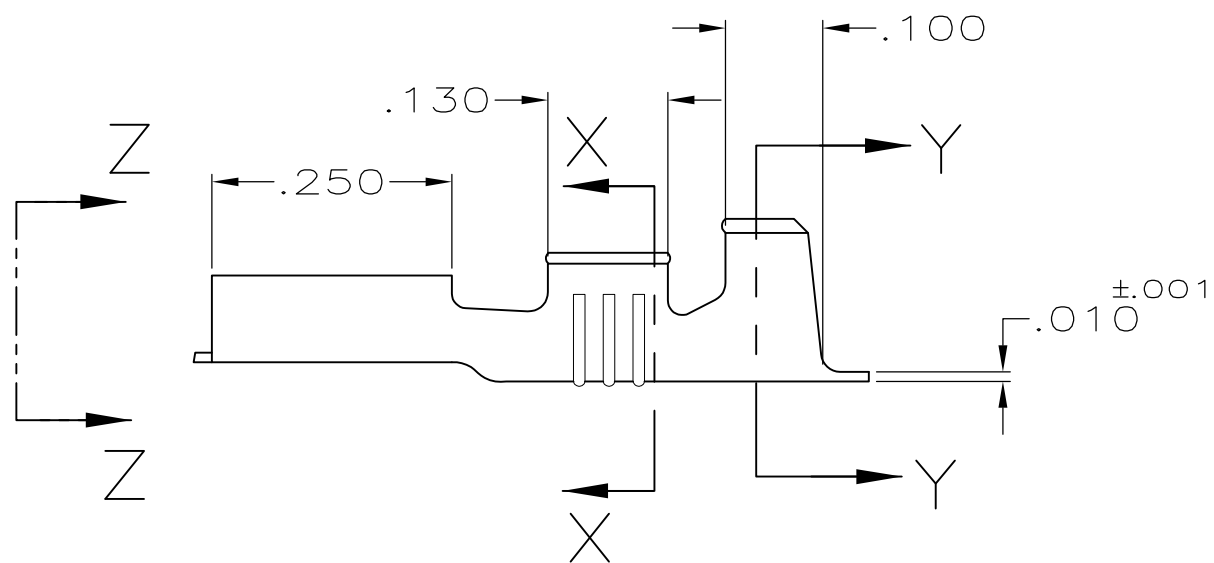
REVISIONS

P	LTR	DESCRIPTION	DATE	DWN	APVD
	H1	REVISED PER ECR-14-004075	24MAR2014	NK	RL

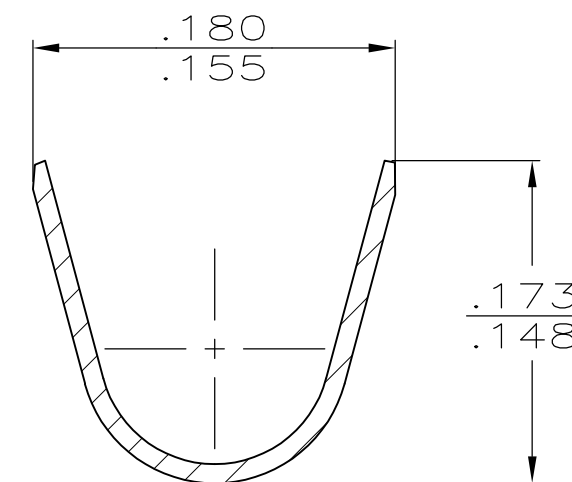


FITS .110 SERIES FASTON TABS

VIEW Z-Z SCALE 10:1



SECTION X-X SCALE 10:1



SECTION Y-Y SCALE 10:1

.090-.130	22-18 AWG	.020	△ 2	62094-3
			-	62094-2
			PRE-TIN	62094-1
INSUL RANGE	WIRE SIZE	MATING TAB THK ±.001	FINISH	PART NO.

THIS DRAWING IS A CONTROLLED DOCUMENT.		DWN JR RUTH 12/20/90	TE Connectivity RECEPTACLE, FASTON, .110 SERIES			
DIMENSIONS: INCHES		CHK MS FEHER 12/20/90				
TOLERANCES UNLESS OTHERWISE SPECIFIED:		APVD C MEYERS 12/21/90				
0 PLC ± - 1 PLC ± - 2 PLC ± - 3 PLC ± .015 4 PLC ± - ANGLES ± -		PRODUCT SPEC -				
MATERIAL BRASS	FINISH SEE TABLE	APPLICATION SPEC -	SIZE A3	CAGE CODE 00779	DRAWING NO C-62094	RESTRICTED TO -
CUSTOMER DRAWING			SCALE 5:1	SHEET 1 OF 1	REV H1	