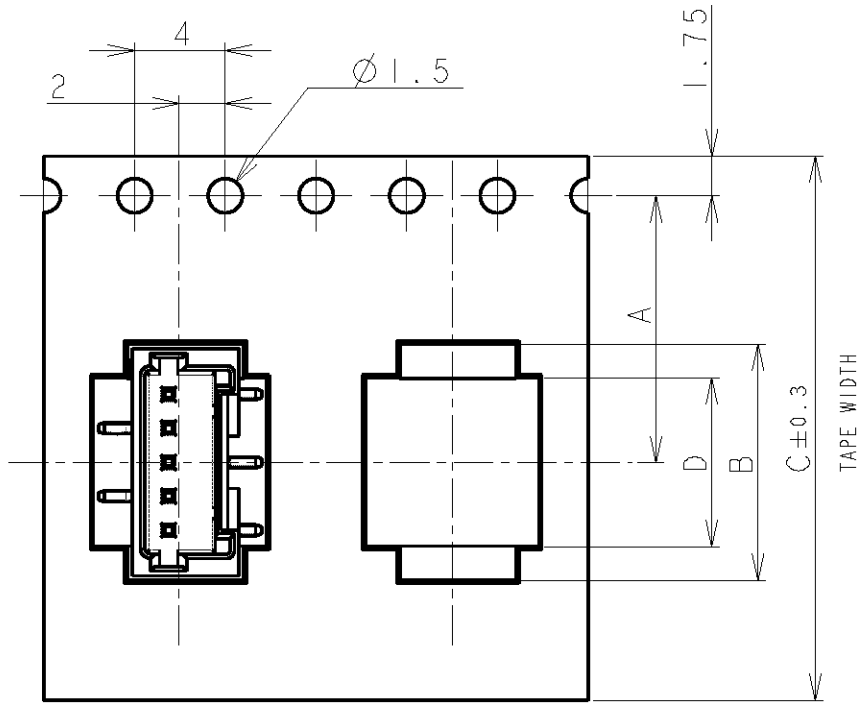


THIS DRAWING IS UNPUBLISHED.

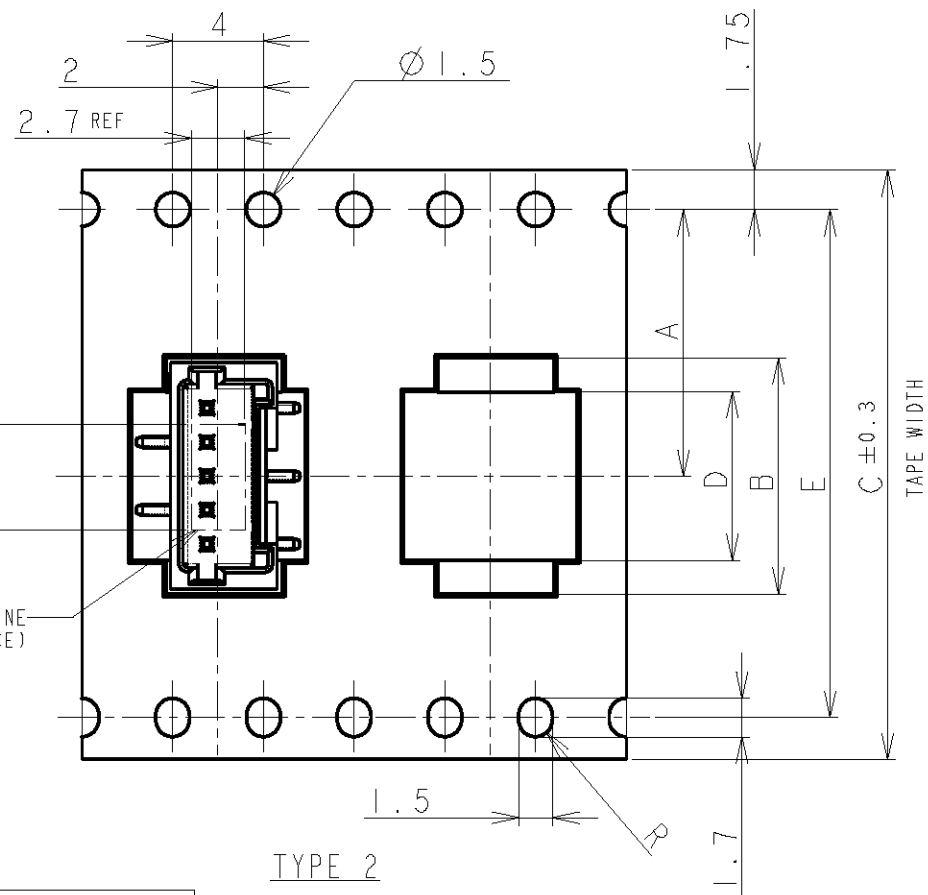
RELEASED FOR PUBLICATION

© COPYRIGHT BY ALL RIGHTS RESERVED.

LOC	DIST	REVISIONS				
P	LTR	DESCRIPTION	DATE	DWN	APVD	
FB	00	B1	REVISED PER ECO-11-005033	2APR11	RK	HMR

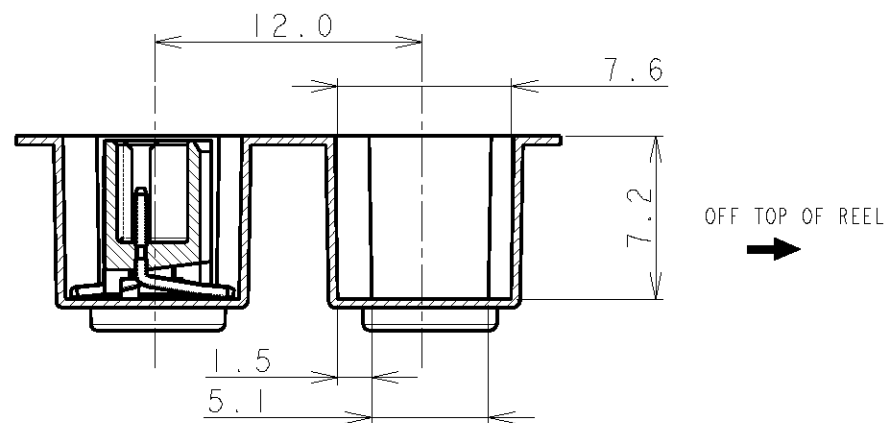
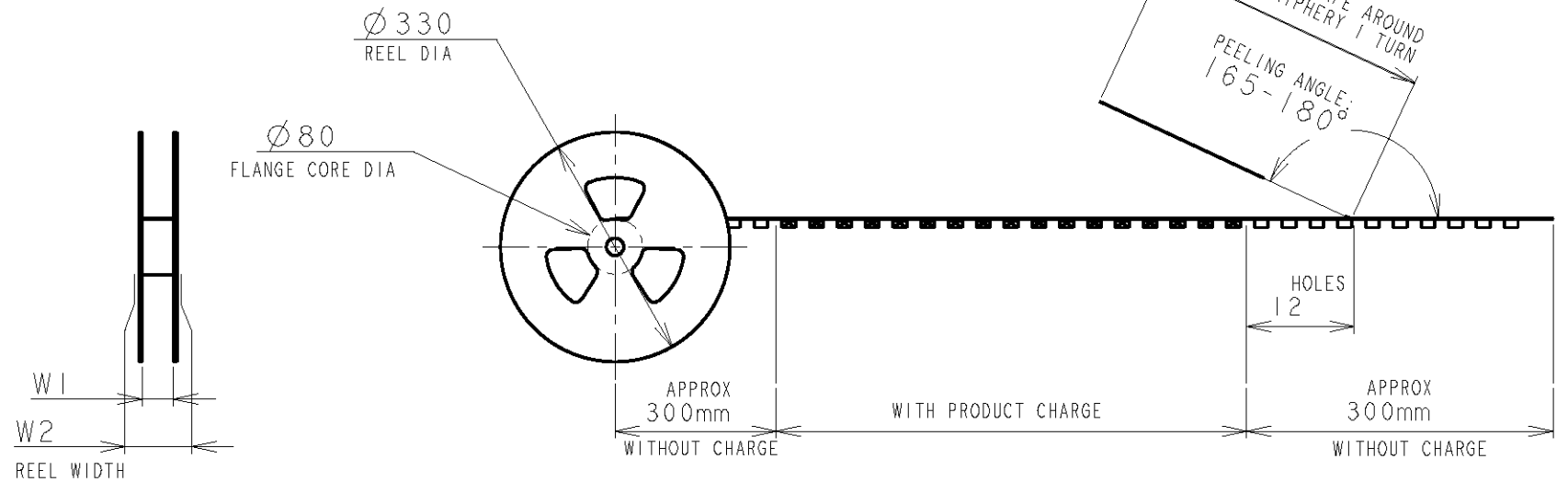
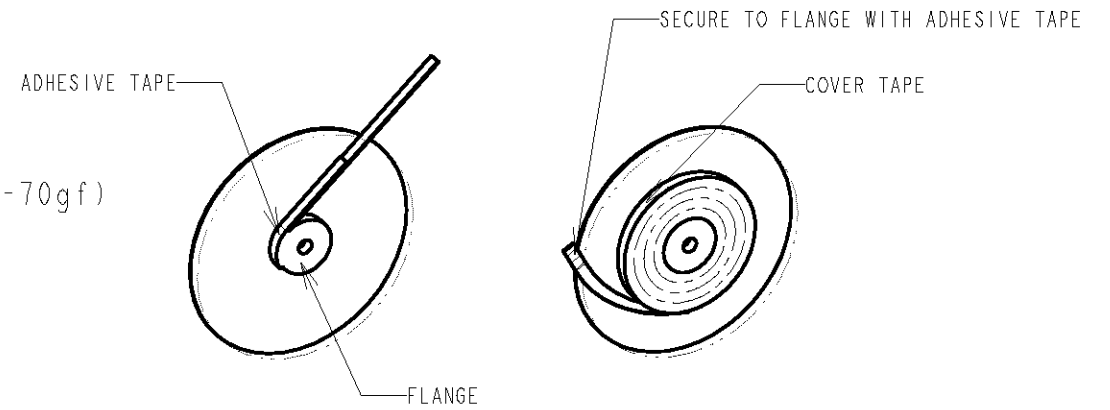


TYPE 1



TYPE 2

NOTE:  
 1. PEELING STRENGTH: 0.20-0.69N (20-70gf)  
 PEELING ANGLE: 165-180°  
 PEELING SPEED: 300mm/MINUTE.



TOLERANCES UNLESS OTHERWISE SPECIFIED:

10 >	: ±0.2
30 > * > 10	: ±0.25
100 > * > 30	: ±0.3
ANGLE	: ±3°

DIMENSIONS: mm	TOLERANCES UNLESS OTHERWISE SPECIFIED: 0 PLC ± 1 PLC ± 2 PLC ± SEE L.H.S. 3 PLC ± 4 PLC ± ANGLES ±	DWN	S. XU	31JAN03	<b>STE</b> TE Connectivity
		CHK	S. YAO	31JAN03	
MATERIAL	FINISH	APVD	T. SASAKI	31JAN03	NAME
		PRODUCT SPEC	108-60018	APPLICATION SPEC	114-5223
CUSTOMER DRAWING		WEIGHT	A3 00779 C-292230		RESTRICTED TO
SCALE		NON		SHEET	1 OF 4
REV		B1			

THIS DRAWING IS UNPUBLISHED. ALL RIGHTS RESERVED.


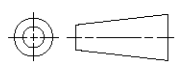
LOC	DIST	REVISIONS						
FB	00	P	LTR	DESCRIPTION	DATE	DWN	APVD	
				SEE SHEET 1				

TAPE TYPE	W2	W1	F	E	D	C	B	A	QTY/REEL	POS	COLOR	ON TAPE P/N	
													DIMENSIONS
TYPE 2	49.5	45.5	6.2	40.4	29.9	44	32.9	20.2±0.15	500	20	BLACK	7-292230-0	
	49.5	45.5	4.7	40.4	28.4	44	31.4		500	19		6-292230-9	
	49.5	45.5	6.2	40.4	26.9	44	29.9		500	18		6-292230-8	
	49.5	45.5	4.7	40.4	25.4	44	28.4		500	17		6-292230-7	
	49.5	45.5	6.2	40.4	23.9	44	26.9		500	16		6-292230-6	
	49.5	45.5	4.7	40.4	22.4	44	25.4		500	15		6-292230-5	
	49.5	45.5	6.2	40.4	20.9	44	23.9		500	14		6-292230-4	
	49.5	45.5	4.7	40.4	19.4	44	22.4		500	13		6-292230-3	
	37.5	33.5	6.2	28.4	17.9	32	20.9		14.2	500		12	6-292230-2
	37.5	33.5	4.7	28.4	16.4	32	19.4		14.2	500		11	6-292230-1
TYPE 1	37.5	33.5	6.2	28.4	14.9	32	17.9	14.2	500	10	6-292230-0		
	37.5	33.5	4.7	28.4	13.4	32	16.4	14.2	500	9	5-292230-9		
	29.5	25.5	6.2	-	11.9	24	14.9	11.5	500	8	5-292230-8		
	29.5	25.5	4.7	-	10.4	24	13.4	11.5	500	7	5-292230-7		
	29.5	25.5	6.2	-	8.9	24	11.9	11.5	500	6	5-292230-6		
	29.5	25.5	4.7	-	7.4	24	10.4	11.5	500	5	5-292230-5		
	21.5	17.5	6.2	-	5.9	16	8.9	7.5	500	4	5-292230-4		
	21.5	17.5	4.7	-	4.4	16	7.4	7.5	500	3	5-292230-3		
21.5	17.5	2.8	-	2.9	16	5.9	7.5	500	2	-			

TAPE TYPE	W2	W1	F	E	D	C	B	A	QTY/REEL	POS	COLOR	ON TAPE P/N	
													DIMENSIONS
TYPE 2	49.5	45.5	6.2	40.4	29.9	44	32.9	20.2±0.15	500	20	BEIGE	2-292230-0	
	49.5	45.5	4.7	40.4	28.4	44	31.4		500	19		1-292230-9	
	49.5	45.5	6.2	40.4	26.9	44	29.9		500	18		1-292230-8	
	49.5	45.5	4.7	40.4	25.4	44	28.4		500	17		1-292230-7	
	49.5	45.5	6.2	40.4	23.9	44	26.9		500	16		1-292230-6	
	49.5	45.5	4.7	40.4	22.4	44	25.4		500	15		1-292230-5	
	49.5	45.5	6.2	40.4	20.9	44	23.9		500	14		1-292230-4	
	49.5	45.5	4.7	40.4	19.4	44	22.4		500	13		1-292230-3	
	37.5	33.5	6.2	28.4	17.9	32	20.9		14.2	500		12	1-292230-2
	37.5	33.5	4.7	28.4	16.4	32	19.4		14.2	500		11	1-292230-1
TYPE 1	37.5	33.5	6.2	28.4	14.9	32	17.9	14.2	500	10	1-292230-0		
	37.5	33.5	4.7	28.4	13.4	32	16.4	14.2	500	9	292230-9		
	29.5	25.5	6.2	-	11.9	24	14.9	11.5	500	8	292230-8		
	29.5	25.5	4.7	-	10.4	24	13.4	11.5	500	7	292230-7		
	29.5	25.5	6.2	-	8.9	24	11.9	11.5	500	6	292230-6		
	29.5	25.5	4.7	-	7.4	24	10.4	11.5	500	5	292230-5		
	21.5	17.5	6.2	-	5.9	16	8.9	7.5	500	4	292230-4		
	21.5	17.5	4.7	-	4.4	16	7.4	7.5	500	3	292230-3		
21.5	17.5	2.8	-	2.9	16	5.9	7.5	500	2	-			

THIS DRAWING IS UNPUBLISHED. ALL RIGHTS RESERVED.

COPYRIGHT BY

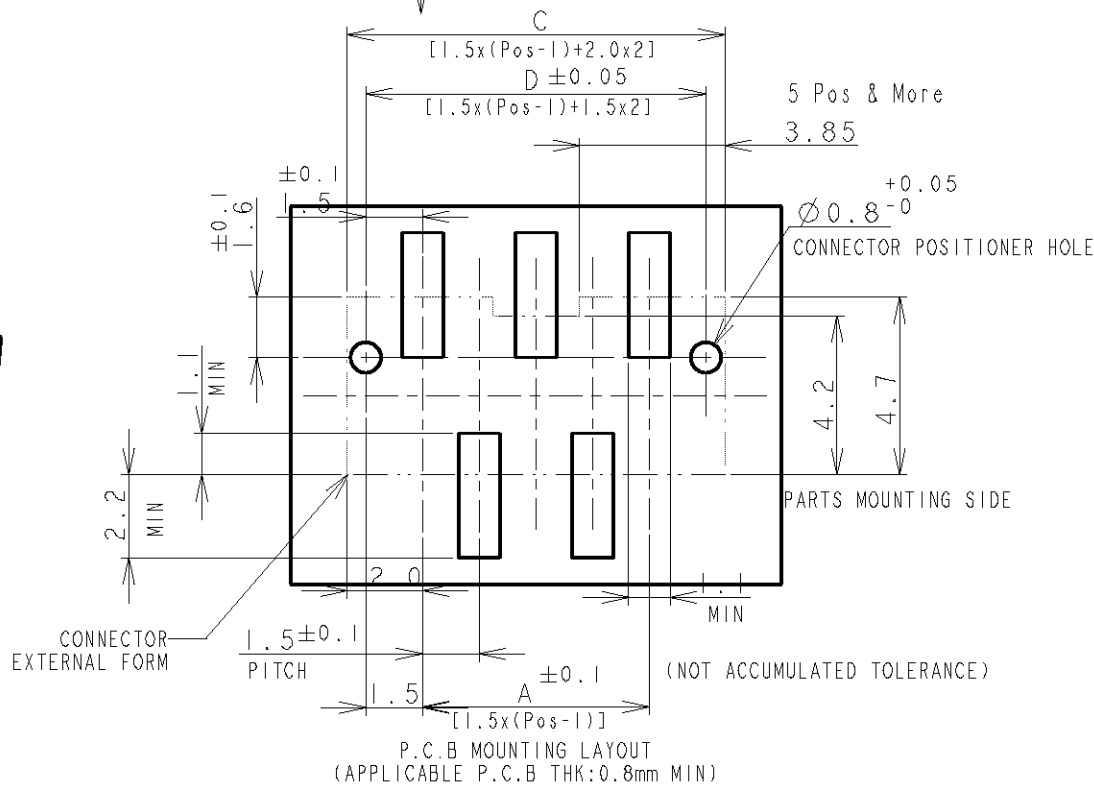
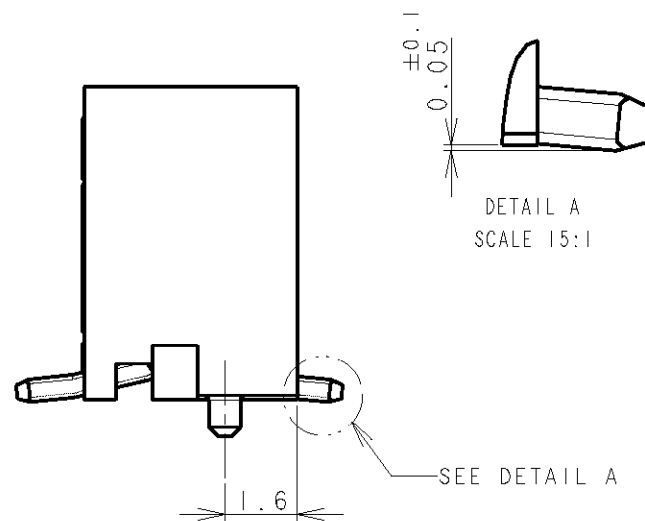
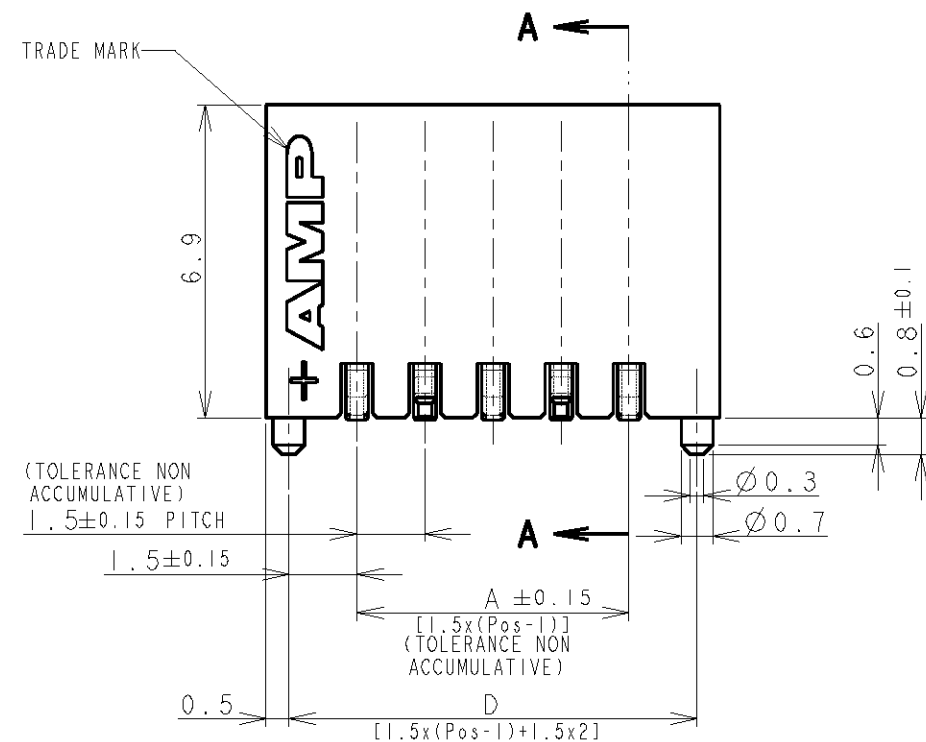
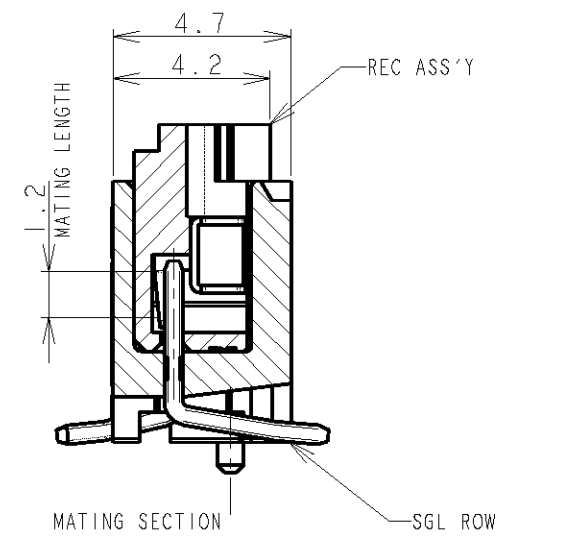
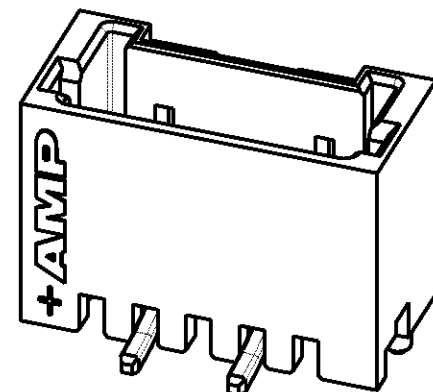
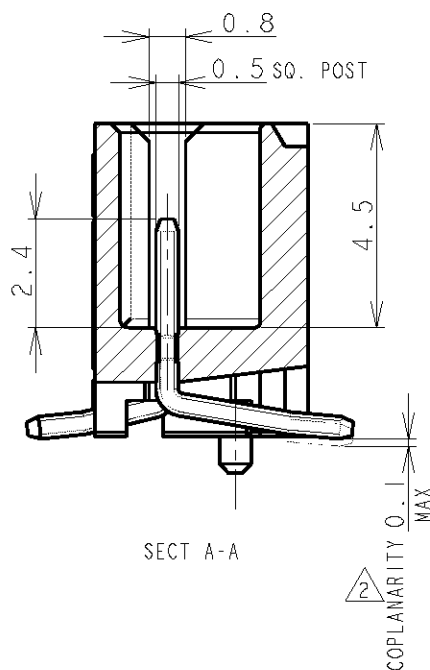
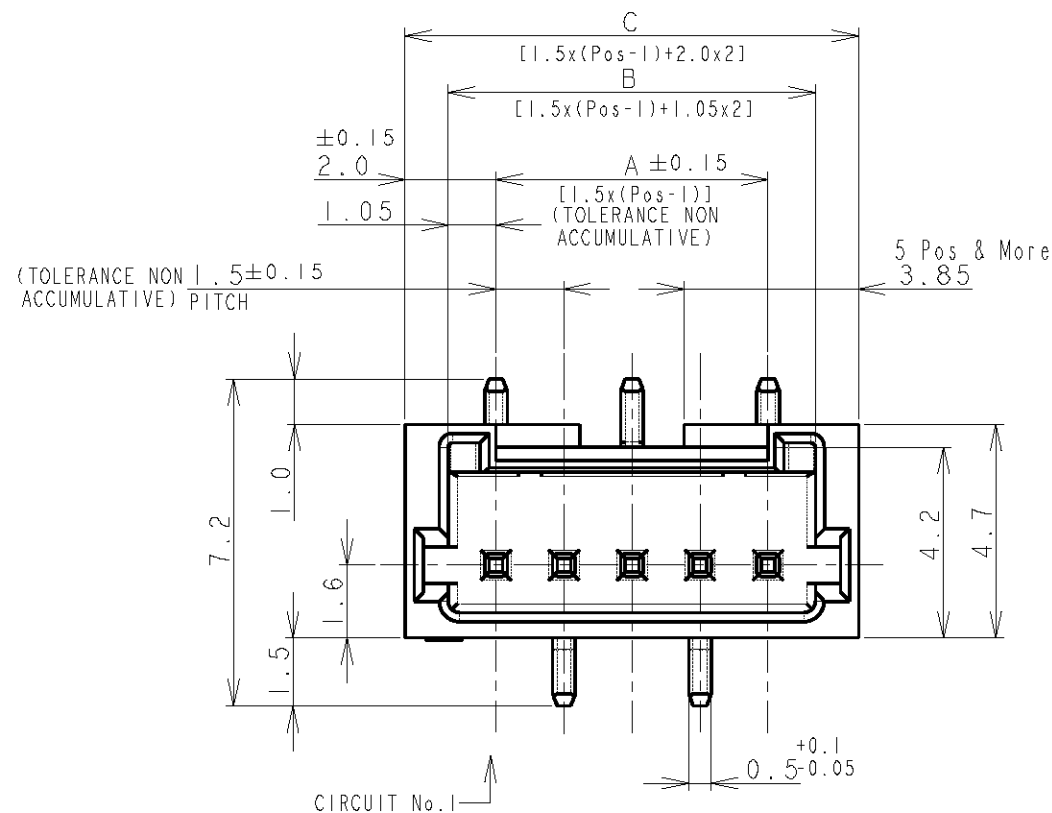
DIMENSIONS: mm		<del>DWN</del>		<del>MATERIAL</del>		<del>FINISH</del>	
TOLERANCES UNLESS OTHERWISE SPECIFIED:		<del>CHK</del>					
0 PLC ±-		<del>APVD</del>					
1 PLC ±0.1		PRODUCT SPEC		NAME AMP Mini Common Terminated (CT) Connector 1.5mm PITCH			
2 PLC ±0.01		SEE SHEET 1 OF 4		SINGLE ROW POST HDR ASS'Y (V)			
3 PLC ±0.001		APPLICATION SPEC		SMT TYPE WITH BOSS, EMBOSS TAPE PACKAGED			
4 PLC ±0.0001		SEE SHEET 1 OF 4		SIZE	CAGE CODE	DRAWING NO	RESTRICTED TO
ANGLES ±-		WEIGHT		A4	00779	G-292230	-
				CUSTOMER DRAWING		SCALE	SHEET
				NON		2	OF 4
						REV	B1

THIS DRAWING IS UNPUBLISHED.

RELEASED FOR PUBLICATION

© COPYRIGHT BY ALL RIGHTS RESERVED.

LOC	DIST	REVISIONS			
P	LTR	DESCRIPTION	DATE	DWN	APVD
FB	00	SEE SHEET 1			



NOTES:  
 1. MATERIAL:  
 HOUSING: GLASS FILLED, HIGH HEAT RESISTANT NYLON, UL94V-0, COLOR: BEIGE OR BLACK  
 POST: Sn-100% BRASS WIRE  
 TO BE MEASURED WITH CONNECTOR PLACED ON HORIZONTAL DATUM SURFACE,  
 FLOAT OF SOLDER TINE FROM DATUM SURFACE IS 0.1mm MAX.


DWN		<b>STE</b> TE Connectivity	
CHK			
APVD		NAME	
PRODUCT SPEC		AMP MINI COMMON TERMINATION (CT) CONNECTOR 1.5 mm PITCH SINGLE ROW POST HDR ASS'Y (V) SMT TYPE WITH BOSS	
APPLICATION SPEC		SIZE	RESTRICTED TO
WEIGHT		CAGE CODE	
MATERIAL		DRAWING NO	
SEE NOTE 1		A3 00779 C-292230	
FINISH		SCALE	SHEET
SEE NOTE 1		NON	3 OF 4
CUSTOMER DRAWING		REV	B1

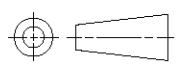
LOC	DIST	REVISIONS					
FB	00	P	LTR	DESCRIPTION	DATE	DWN	APVD
		-		SEE SHEET 1	-	-	-

0.98	31.5	32.5	30.6	28.5	20	7-292230-0	2-292230-0
0.93	30.0	31.0	29.1	27.0	19	6-292230-9	1-292230-9
0.89	28.5	29.5	27.6	25.5	18	6-292230-8	1-292230-8
0.84	27.0	28.0	26.1	24.0	17	6-292230-7	1-292230-7
0.80	25.5	26.5	24.6	22.5	16	6-292230-6	1-292230-6
0.75	24.0	25.0	23.1	21.0	15	6-292230-5	1-292230-5
0.71	22.5	23.5	21.6	19.5	14	6-292230-4	1-292230-4
0.66	21.0	22.0	20.1	18.0	13	6-292230-3	1-292230-3
0.62	19.5	20.5	18.6	16.5	12	6-292230-2	1-292230-2
0.57	18.0	19.0	17.1	15.0	11	6-292230-1	1-292230-1
0.52	16.5	17.5	15.6	13.5	10	6-292230-0	1-292230-0
0.48	15.0	16.0	14.1	12.0	9	5-292230-9	292230-9
0.43	13.5	14.5	12.6	10.5	8	5-292230-8	292230-8
0.39	12.0	13.0	11.1	9.0	7	5-292230-7	292230-7
0.34	10.5	11.5	9.6	7.5	6	5-292230-6	292230-6
0.30	9.0	10.0	8.1	6.0	5	5-292230-5	292230-5
0.25	7.5	8.5	6.6	4.5	4	5-292230-4	292230-4
0.20	6.0	7.0	5.1	3.0	3	5-292230-3	292230-3
0.17	4.5	5.5	3.6	1.5	2	-	-
WEIGHT (g)	D	C	B	A	Pos.	BLACK	BEIGE (NAT)
	DIMENSIONS					P/N	

THIS DRAWING IS UNPUBLISHED. ALL RIGHTS RESERVED.

COPYRIGHT BY

DIMENSIONS: mm		DWN	MATERIAL	FINISH	
TOLERANCES UNLESS OTHERWISE SPECIFIED:		CHK	SEE SHEET 1		SEE SHEET 1
0 PLC ±	APVD	PRODUCT SPEC	 <b>TE Connectivity</b>		
1 PLC ±		APPLICATION SPEC			
2 PLC ±		NAME	AMP MINI COMMON TERMINATED (CT) CONNECTOR 1.5 mm PITCH		
3 PLC ±		SINGLE ROW POST HDR ASS'Y (V) SMT TYPE WITH BOSS			
4 PLC ±	WEIGHT	SIZE	CAGE CODE	DRAWING NO	RESTRICTED TO
ANGLES ±		A4	00779	C-292230	
CUSTOMER DRAWING			SCALE	NON	SHEET 4 OF 4 REV B1



# Mouser Electronics

Authorized Distributor

Click to View Pricing, Inventory, Delivery & Lifecycle Information:

[TE Connectivity:](#)

[2-292230-0](#)